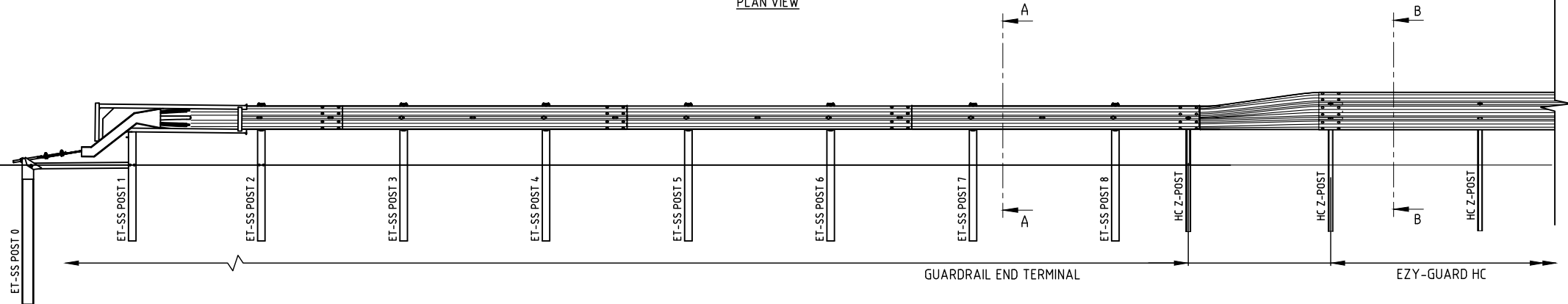
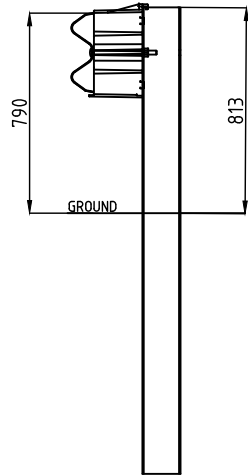


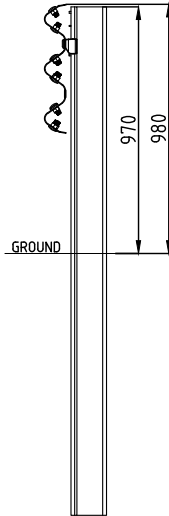
PLAN VIEW



FRONT ELEVATION



SECTION A-A
1:20



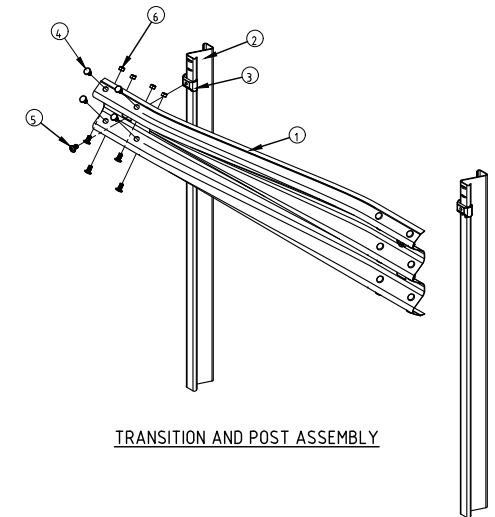
SECTION B-B
1:20



TYPICAL W-BEAM SPLICE



TYPICAL THRIE-BEAM SPLICE



TRANSITION AND POST ASSEMBLY

NOTES

1. TO BE READ IN CONJUNCTION WITH THE APPROPRIATE END TERMINAL PRODUCT MANUAL.
2. ALL DIMENSIONS IN mm UNLESS MARKED OTHERWISE.

REV	DATE	DESCRIPTION	DRAWN	CHECKED	APPROVED
0					

DRAWING NUMBER	REFERENCE DRAWINGS

NAME	DATE
DRAWN VB	29/09/2020
CHECKED LG	29/09/2020
APPROVED LG	29/09/2020
SCALE N.T.S. @	A3
ISSUE FOR	

DRAWING AND CONTENTS ARE COPYRIGHT TO INGAL CIVIL PRODUCTS AND CAN ONLY BE USED WITH PRIOR WRITTEN CONSENT FROM INGAL CIVIL PRODUCTS

57-65 AIRDS ROAD MINTO, N.S.W 2566 PH. +61 2 9827 3333 www.ingalcivil.com.au

PROJECT	TITLE
	EZY-GUARD HIGH CONTAINMENT TRANSITION DETAIL EZY-GUARD HC TO ET-SS TERMINAL

INGAL CIVIL PRODUCTS PART No.	DRAWING No.	Rev.
	EZY-HC-025	0