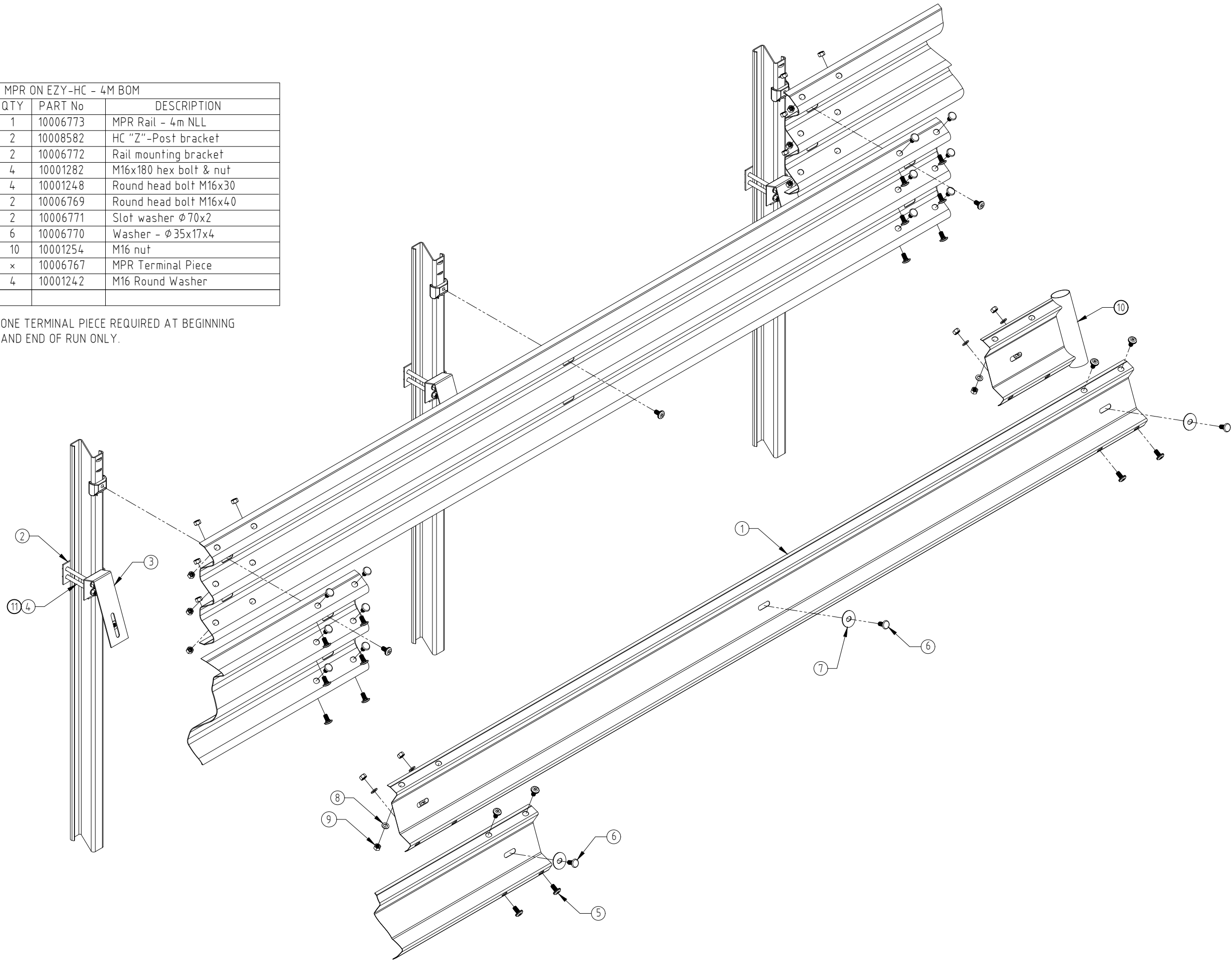


INGAL MPR ON EZY-HC - 4M BOM			
ITEM	QTY	PART No	DESCRIPTION
1	1	10006773	MPR Rail - 4m NLL
2	2	10008582	HC "Z"-Post bracket
3	2	10006772	Rail mounting bracket
4	4	10001282	M16x180 hex bolt & nut
5	4	10001248	Round head bolt M16x30
6	2	10006769	Round head bolt M16x40
7	2	10006771	Slot washer $\phi$ 70x2
8	6	10006770	Washer - $\phi$ 35x17x4
9	10	10001254	M16 nut
10	x	10006767	MPR Terminal Piece
11	4	10001242	M16 Round Washer

x ONE TERMINAL PIECE REQUIRED AT BEGINNING AND END OF RUN ONLY.



REV	DATE	DESCRIPTION	DRAWN	CHECKED	APPROVED
4	20-03-2024	OVERSIZE NUT REPLACED BY STANDARD NUT	KZ	MW	KZ
3	26-07-2022	EZY-LDS DETAILS ADDED	KZ	LG	LG
2	18-07-2022	BOM UPDATE	KZ	LG	LG
1	17-06-2020	UPDATED QUANTITY FOR ITEM 8	VB	LG	LG

REV	DATE	DESCRIPTION	DRAWN	CHECKED	APPROVED

NAME	DATE
DRAWN	WD 09-03-2018
CHECKED	HF 09-03-2018
APPROVED	LG 09-03-2018
SCALE	N.T.S. @ A3
ISSUE FOR	INFORMATION ONLY

**INGAL CIVIL PRODUCTS**  
A valmont COMPANY

DRAWING AND CONTENTS ARE COPYRIGHT TO INGAL CIVIL PRODUCTS AND CAN ONLY BE USED WITH PRIOR WRITTEN CONSENT FROM INGAL CIVIL PRODUCTS

57-65 AIRDS ROAD  
MINTO, N.S.W 2566

PH. +61 2 9827 3333  
www.ingalcivil.com.au

PROJECT	TITLE
	INGAL MPR - MOTORCYCLIST PROTECTION EZY-GUARD HC/LDS CONFIG EXPLODED ASSEMBLY

INGAL CIVIL PRODUCTS PART No.	10009373
DRAWING No.	ICP-MPR-015