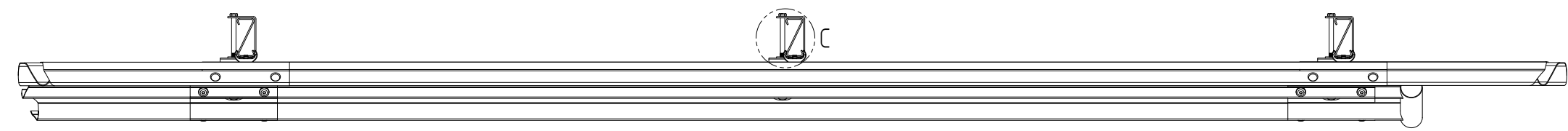
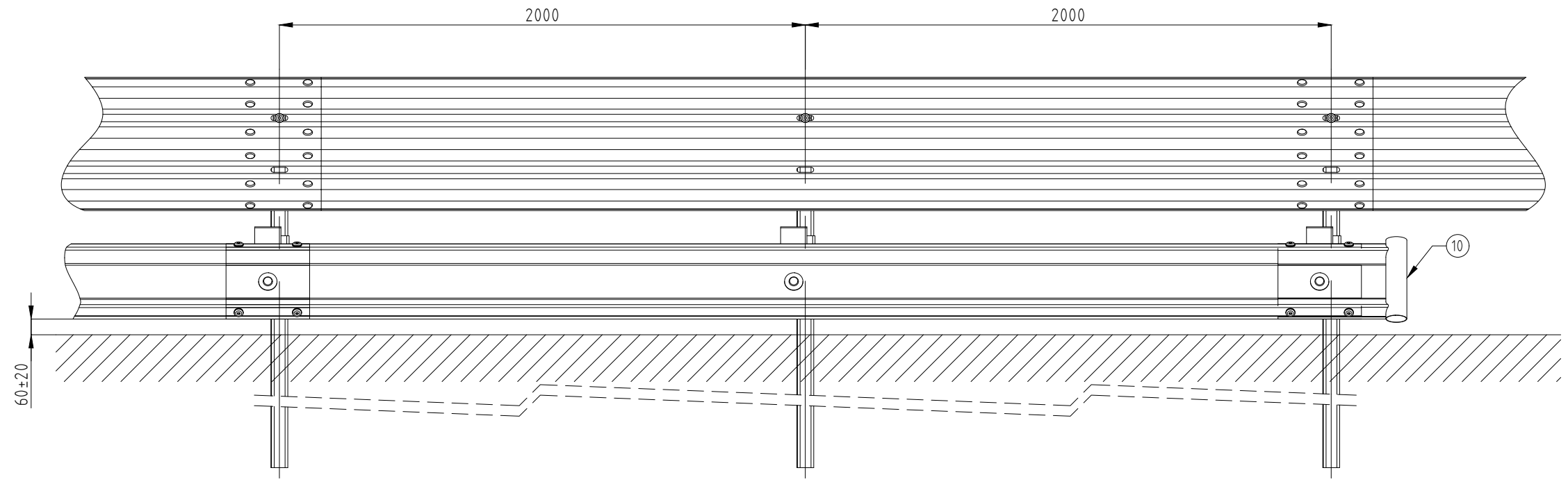
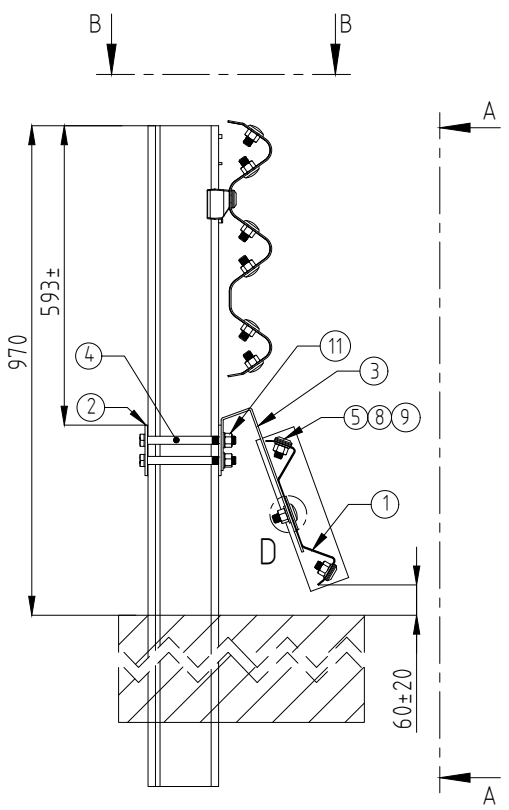


INGAL MPR ON EZY-HC - 4M BOM			
ITEM	QTY	PART No	DESCRIPTION
1	1	10006773	MPR Rail - 4m NLL
2	2	10008582	HC "Z"-Post bracket
3	2	10006772	Rail mounting bracket
4	4	10001282	M16x180 hex bolt & nut
5	4	10001248	Round head bolt M16x32
6	2	10006769	Round head bolt M16x40
7	2	10006771	Slot washer $\phi 70 \times 2$
8	6	10006770	Washer - $\phi 35 \times 17 \times 4$
9	10	10001254	M16 nut
10	x	10006767	MPR Terminal Piece
11	4	10001242	M16 Round Washer

x ONE TERMINAL PIECE REQUIRED AT BEGINNING AND END OF RUN ONLY.
 xx EZY-GUARD HC POST SHOWN FOR CLARITY.



SECTION B-B



SECTION A-A

NOTES:
 1. ALL STEELWORK TO BE HOT DIP GALVANISED AFTER FABRICATION TO AS/NZS4680.
 2. TO BE READ IN CONJUNCTION WITH THE INGAL MPR PRODUCT MANUAL.

REV	DATE	DESCRIPTION	DRAWN	CHECKED	APPROVED
4	20-03-2024	OVERSIZE NUT REPLACED BY STANDARD NUT	KZ	MW	KZ
3	26-07-2022	LDS DETAILS ADDED	KZ	LG	LG
2	18-07-2022	BOM UPDATE	KZ	LG	LG
1	17-06-2020	UPDATED QUANTITY FOR ITEM 8	VB	LG	LG

REV	DATE	DESCRIPTION	DRAWN	CHECKED	APPROVED

SCALE	NAME	DATE
N.T.S. @ A3 <td>WD</td> <td>09-03-2018</td>	WD	09-03-2018
ISSUE FOR	HF	09-03-2018
	LG	09-03-2018

INGAL CIVIL PRODUCTS
 A valmont COMPANY

DRAWING AND CONTENTS ARE COPYRIGHT TO INGAL CIVIL PRODUCTS AND CAN ONLY BE USED WITH PRIOR WRITTEN CONSENT FROM INGAL CIVIL PRODUCTS

57-65 AIRDS ROAD
 MINTO, N.S.W 2566

PH. +61 2 9827 3333
 www.ingalcivil.com.au

PROJECT	TITLE
	INGAL MPR - MOTORCYCLIST PROTECTION EZY-GUARD HC/LDS CONFIG GENERAL ARRANGEMENT

INGAL CIVIL PRODUCTS PART No.	DRAWING No.
10009373	ICP-MPR-014