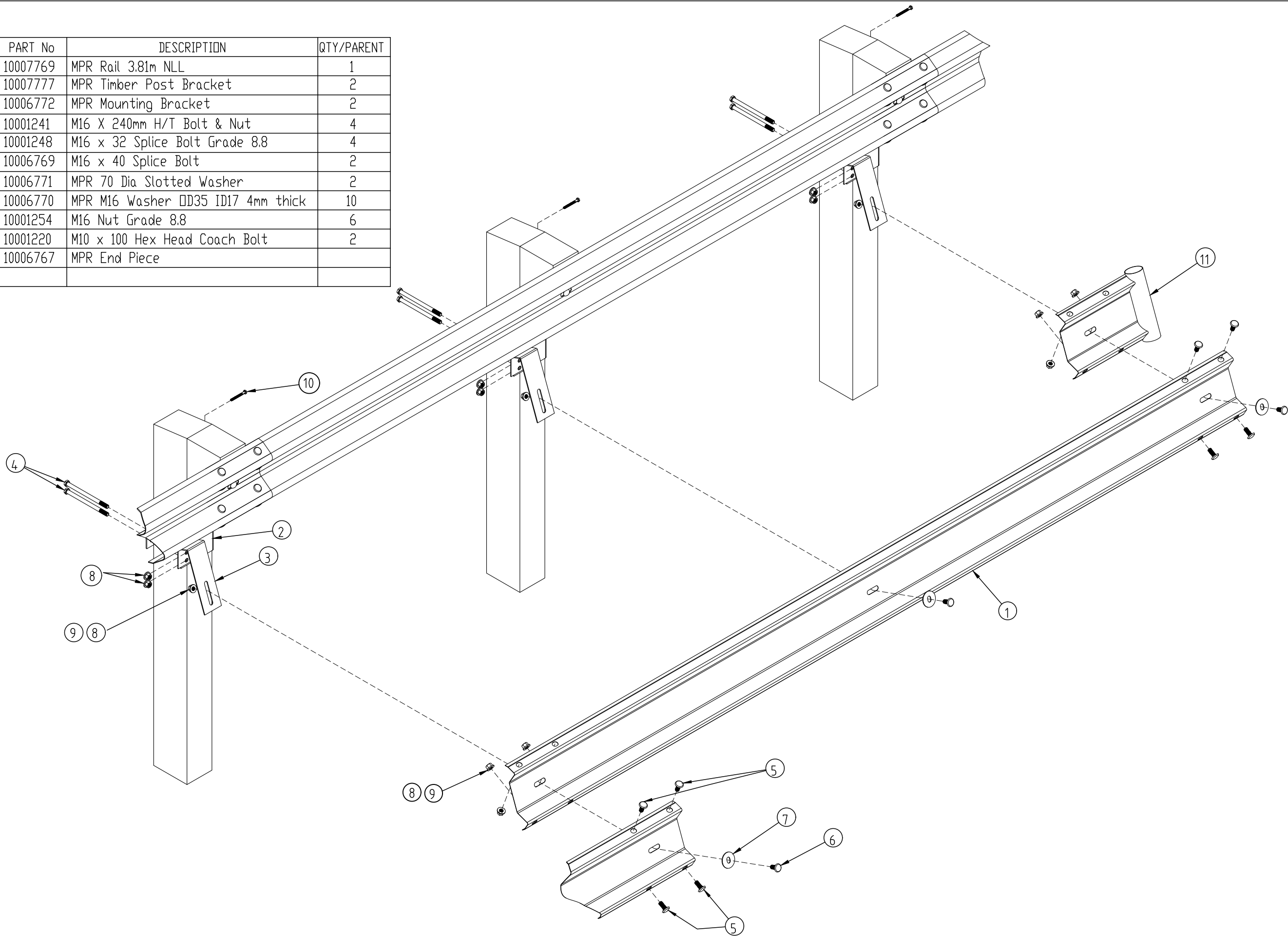


ITEM	PART No	DESCRIPTION	QTY/PARENT
1	10007769	MPR Rail 3.81m NLL	1
2	10007777	MPR Timber Post Bracket	2
3	10006772	MPR Mounting Bracket	2
4	10001241	M16 X 240mm H/T Bolt & Nut	4
5	10001248	M16 x 32 Splice Bolt Grade 8.8	4
6	10006769	M16 x 40 Splice Bolt	2
7	10006771	MPR 70 Dia Slotted Washer	2
8	10006770	MPR M16 Washer $\text{OD}35 \text{ ID}17 \text{ 4mm thick}$	10
9	10001254	M16 Nut Grade 8.8	6
10	10001220	M10 x 100 Hex Head Coach Bolt	2
11	10006767	MPR End Piece	



REV	DATE	DESCRIPTION	DRAWN	CHECKED	APPROVED
4	15-03-2024	OVERSIZE NUT REPLACED BY STANDARD NUT	KZ	MW	KZ
3	18-07-2022	BOM UPDATE	KZ	LG	LG
2	29-06-2020	ITEM 9 UPDATED	VB	LG	LG
1	31-08-16	BOM UPDATED	MC	LG	

DRAWING NUMBER	REFERENCE DRAWINGS

	NAME	DATE
DRAWN	LG	06/11/15
CHECKED	MC	06/11/15
APPROVED	LG	06/11/15
SCALE	N.T.S. @ A3	
ISSUE FOR	INFORMATION ONLY	

DRAWING AND CONTENTS ARE COPYRIGHT TO INGAL CIVIL PRODUCTS AND CAN ONLY BE USED WITH PRIOR WRITTEN CONSENT FROM INGAL CIVIL PRODUCTS
 57-65 AIRDS ROAD PH. +61 2 9827 3333
 MINTO, N.S.W 2566 www.ingalcivil.com.au

PROJECT	
TITLE	INGAL MPR NZTA GUARDRAIL - TIMBER POST CONFIG EXPLODED ISOMETRIC ASSEMBLY

INGAL CIVIL PRODUCTS PART No.	10007902
DRAWING No.	ICP-MPR-009