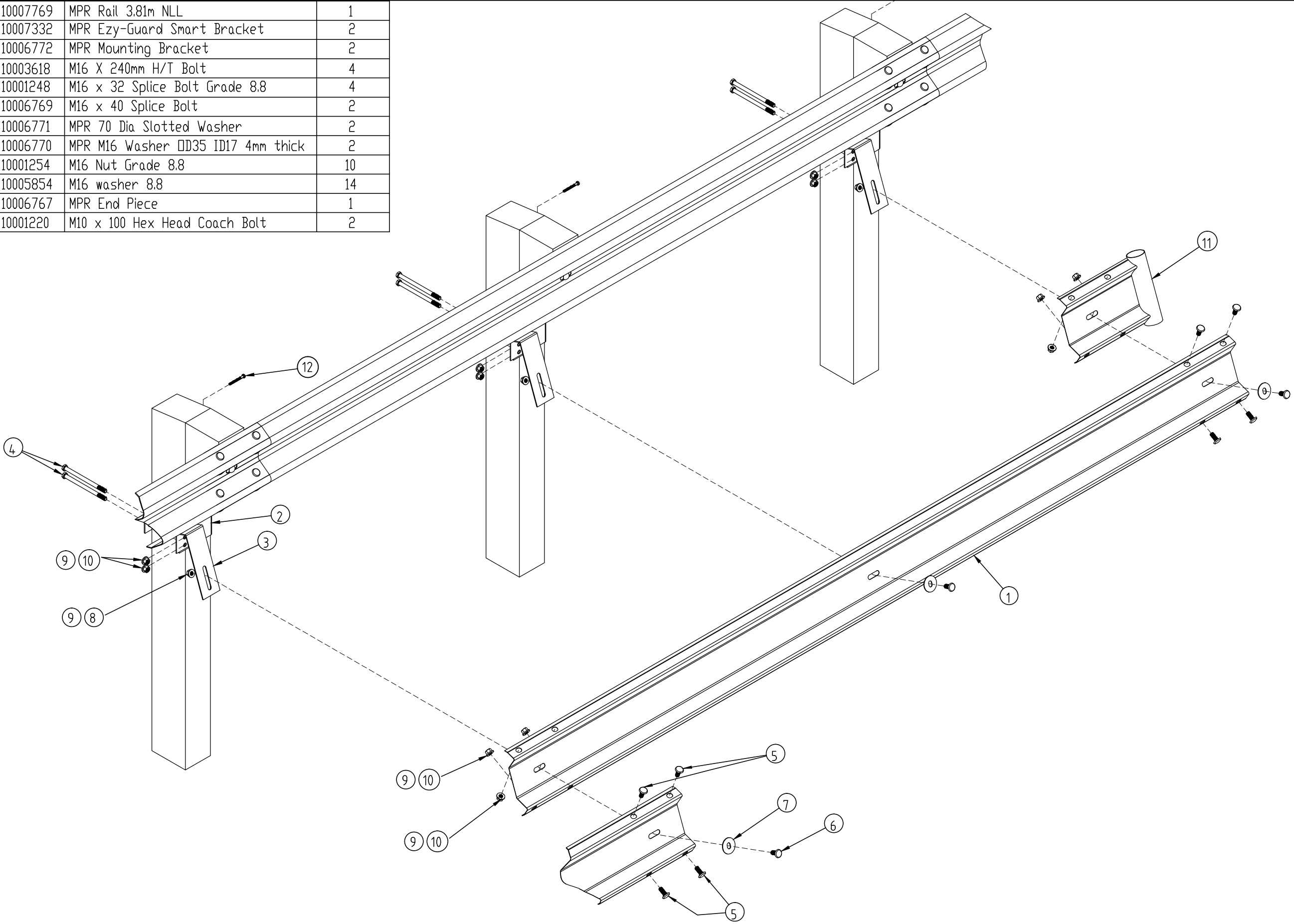


1	10007769	MPR Rail 3.81m NLL	1
2	10007332	MPR Ezy-Guard Smart Bracket	2
3	10006772	MPR Mounting Bracket	2
4	10003618	M16 X 240mm H/T Bolt	4
5	10001248	M16 x 32 Splice Bolt Grade 8.8	4
6	10006769	M16 x 40 Splice Bolt	2
7	10006771	MPR 70 Dia Slotted Washer	2
8	10006770	MPR M16 Washer \varnothing D35 ID17 4mm thick	2
9	10001254	M16 Nut Grade 8.8	10
10	10005854	M16 washer 8.8	14
11	10006767	MPR End Piece	1
12	10001220	M10 x 100 Hex Head Coach Bolt	2



REV	DATE	DESCRIPTION	DRAWN	CHECKED	APPROVED

DRAWING NUMBER	REFERENCE DRAWINGS

	NAME	DATE
DRAWN	LG	06/11/15
CHECKED	MC	06/11/15
APPROVED	LG	06/11/15
SCALE	N.T.S. @	A3
ISSUE FOR	INFORMATION ONLY	

INGAL CIVIL PRODUCTS
A valmont COMPANY

DRAWING AND CONTENTS ARE COPYRIGHT TO INGAL CIVIL PRODUCTS AND CAN ONLY BE USED WITH PRIOR WRITTEN CONSENT FROM INGAL CIVIL PRODUCTS

57-65 AIRDS ROAD MINTO, N.S.W 2566 PH. +61 2 9827 3333 www.ingalcivil.com.au

PROJECT	INGAL CIVIL PRODUCTS PART No.
TITLE	DRAWING No.
INGAL MPR NZTA GUARDRAIL - TIMBER POST CONFIG EXPLODED ISOMETRIC ASSEMBLY	
ICP-MPR-009	