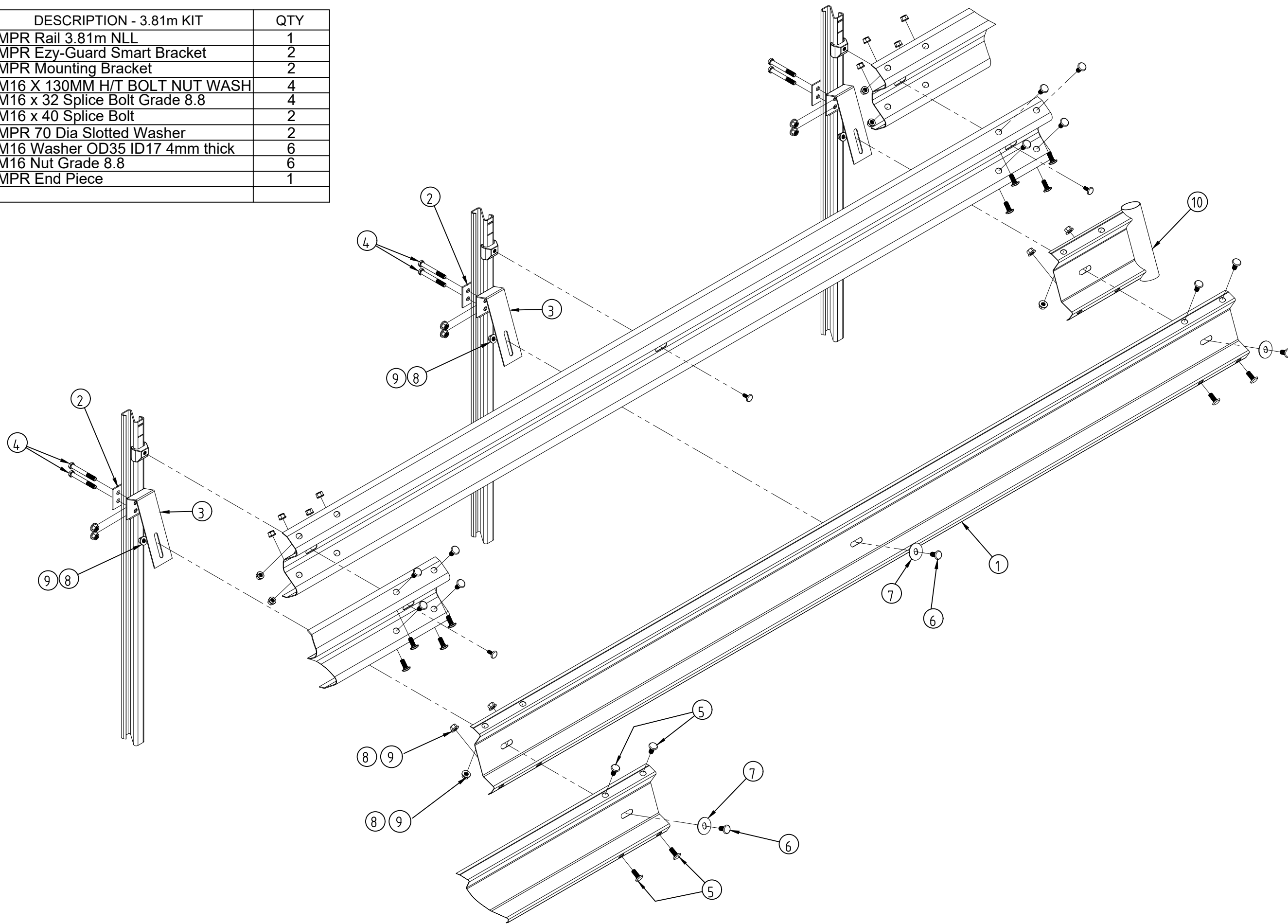



ITEM	PART No	DESCRIPTION - 3.81m KIT	QTY
1	10007769	MPR Rail 3.81m NLL	1
2	10007332	MPR Ezy-Guard Smart Bracket	2
3	10006772	MPR Mounting Bracket	2
4	10003618	M16 X 130MM H/T BOLT NUT WASH	4
5	10001248	M16 x 32 Splice Bolt Grade 8.8	4
6	10006769	M16 x 40 Splice Bolt	2
7	10006771	MPR 70 Dia Slotted Washer	2
8	10006770	M16 Washer OD35 ID17 4mm thick	6
9	10001254	M16 Nut Grade 8.8	6
10	10006767	MPR End Piece	1



REV	DATE	DESCRIPTION	DRAWN	CHECKED	APPROVED
5	15-03-2024	OVERSIZE NUT REPLACED BY STANDARD NUT	KZ	MW	KZ
4	18-07-2022	BOM UPDATE	KZ	LG	LG
3	29-06-2020	ITEM 9 UPDATED	VB	LG	LG
2	22-11-16	WASHER QTY REDUCED	MC	LG	MC
1	31-01-16	BOM UPDATED	MC	LG	MC

REV	DATE	DESCRIPTION	DRAWN	CHECKED	APPROVED

	NAME	DATE
DRAWN	AR	29-10-2015
CHECKED	LG	29-10-2015
APPROVED	LG	29-10-2015
SCALE	N.T.S. @	A3
ISSUE FOR	INFORMATION ONLY	

	PROJECT	INGAL CIVIL PRODUCTS PART No. 10007895
	TITLE	INGAL MPR - 3.81m NLL EZY-GUARD CONFIGURATION EXPLODED VIEW

DRAWING No.	ICP-MPR-006
Rev.	5