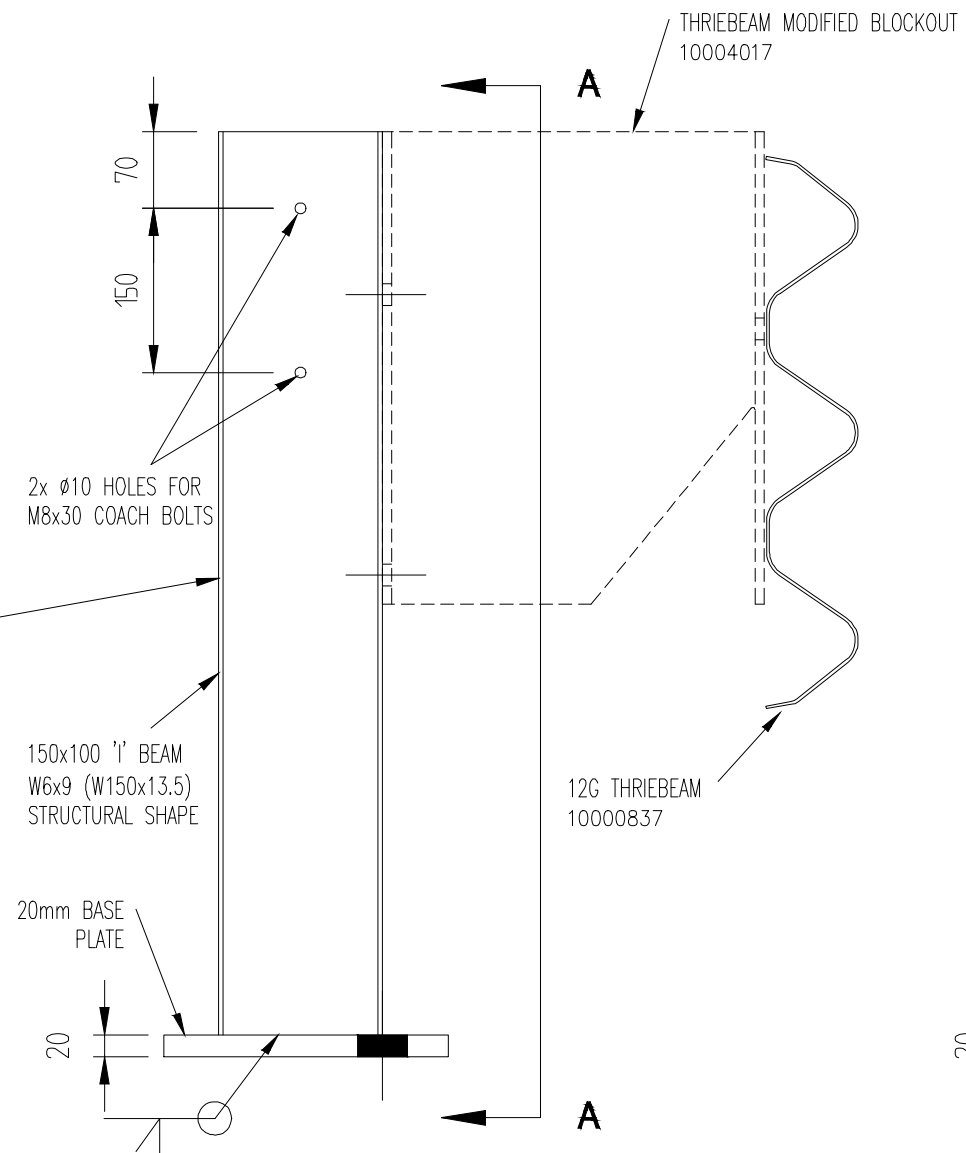
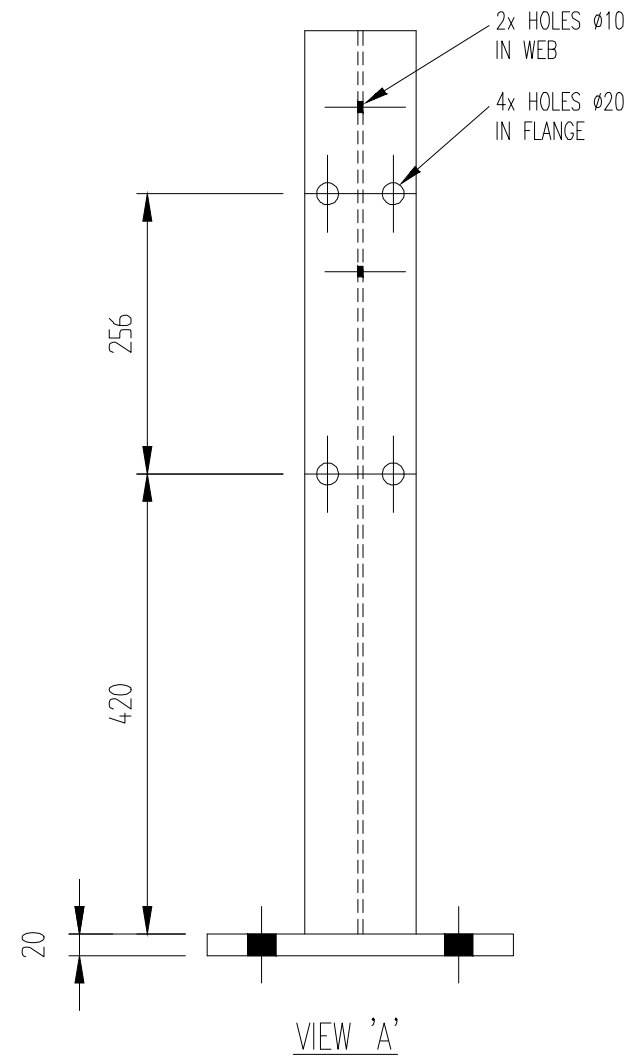


PLAN



SIDE ELEVATION  
(Scale 1:8)



VIEW 'A'

NOTES

1. ALL MATERIAL MINIMUM 250 GRADE STEEL UNLESS NOTED OTHERWISE.
2. ALL WELDS TO BE MIN 6mm FILLET U.N.O. & SP GRADE TO NZS3404 & AS/NZS1554.1
3. POST TO BE HOT DIP GALVANIZED AFTER FABRICATION.
4. APPROX GALVANISED WT. = 25.0 KG

REV	DATE	DESCRIPTION	DRAWN	CHECKED	APPROVED
0		ORIGINAL ISSUE			

DRAWING NUMBER	REFERENCE DRAWINGS

NAME	DATE
DRAWN MC	03-12-2015
CHECKED LG	03-12-2015
APPROVED	
SCALE N.T.S. @ A3	
ISSUE FOR INFORMATION ONLY	

**INGAL CIVIL PRODUCTS**  
A valmont COMPANY

DRAWING AND CONTENTS ARE COPYRIGHT TO INGAL CIVIL PRODUCTS AND CAN ONLY BE USED WITH PRIOR WRITTEN CONSENT FROM INGAL CIVIL PRODUCTS

57-65 AIRDS ROAD MINTO, N.S.W 2566 PH. +61 2 9827 3333 www.ingalcivil.com.au

PROJECT	INGAL CIVIL PRODUCTS PART No.
TITLE	DRAWING No.
THRIEBEAM BRIDGE POST 845mm OA	GR-NZ-065

Rev: 0
--------