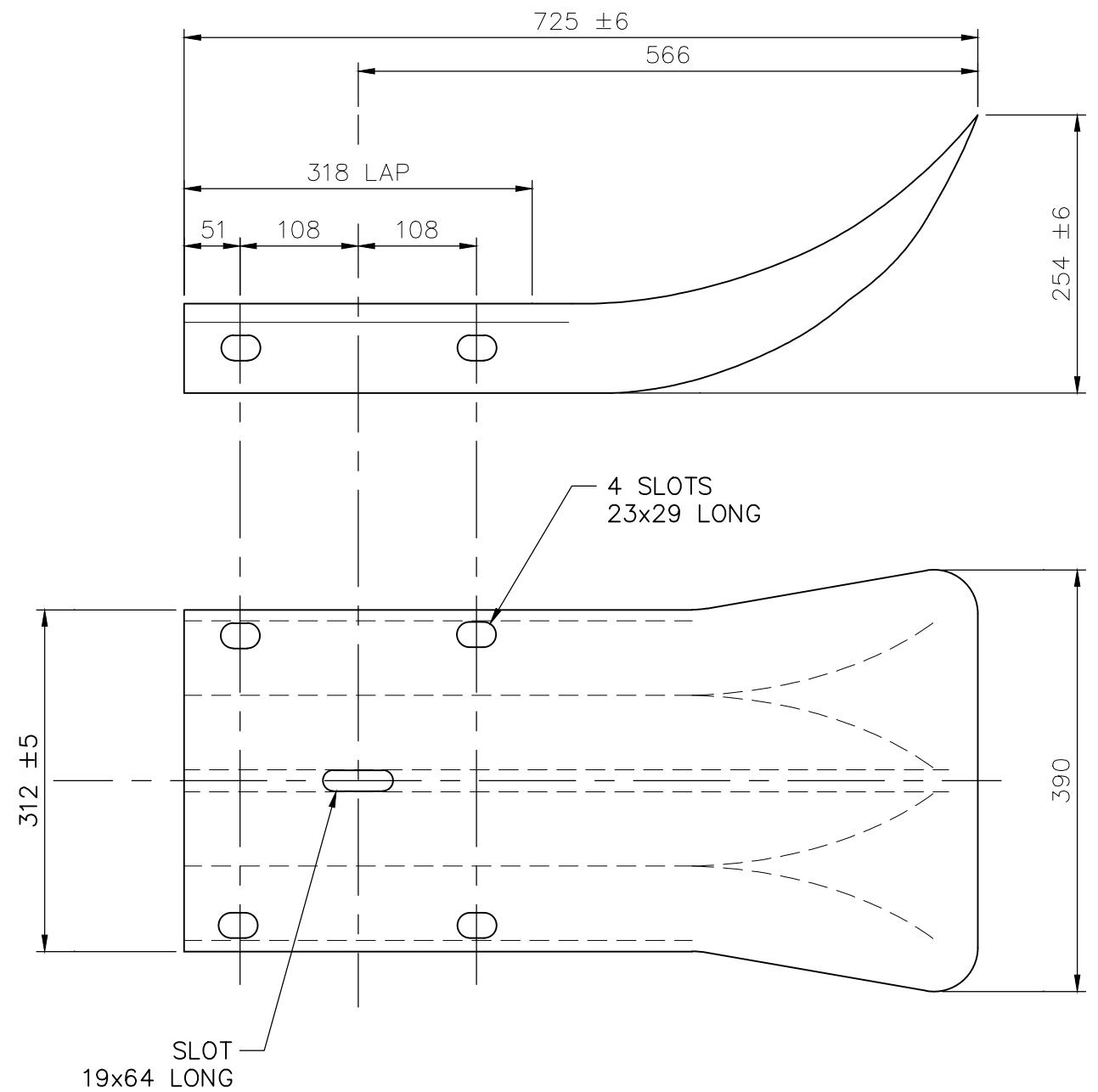
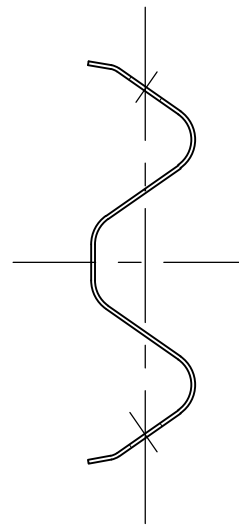


BLANK

3.0mm ( $\pm 0.21$ ) BASE MATERIAL THICKNESS



REV	DATE	DESCRIPTION	DRAWN	CHECKED	APPROVED
3	11/09/15	BORDER UPDATED	MC	LG	
2	30/10/12	NEW DRAWING TEMPLATE; DWG SIZE WAS A4	DK	MK	
1	15/11/01	BORDER/GALV CHANGE		BF	
0	12/09/95	ORIGINAL ISSUE	SJW	WS-B	

DRAWING NUMBER	REFERENCE DRAWINGS

NAME	DATE
DRAWN SJW	12/09/95
CHECKED	
APPROVED	
SCALE N.T.S. @ A3	
ISSUE FOR INFORMATION ONLY	

DRAWING AND CONTENTS ARE COPYRIGHT TO INGAL CIVIL PRODUCTS AND CAN ONLY BE USED WITH PRIOR WRITTEN CONSENT FROM INGAL CIVIL PRODUCTS  
 57-65 AIRDS ROAD MINTO, N.S.W 2566 PH. +61 2 9827 3333 www.ingalcivil.com.au

PROJECT	TITLE
	FLEXBEAM GUARDRAIL FISHTAIL TERMINAL

INGAL CIVIL PRODUCTS PART No.	DRAWING No.
10000473	C1050G