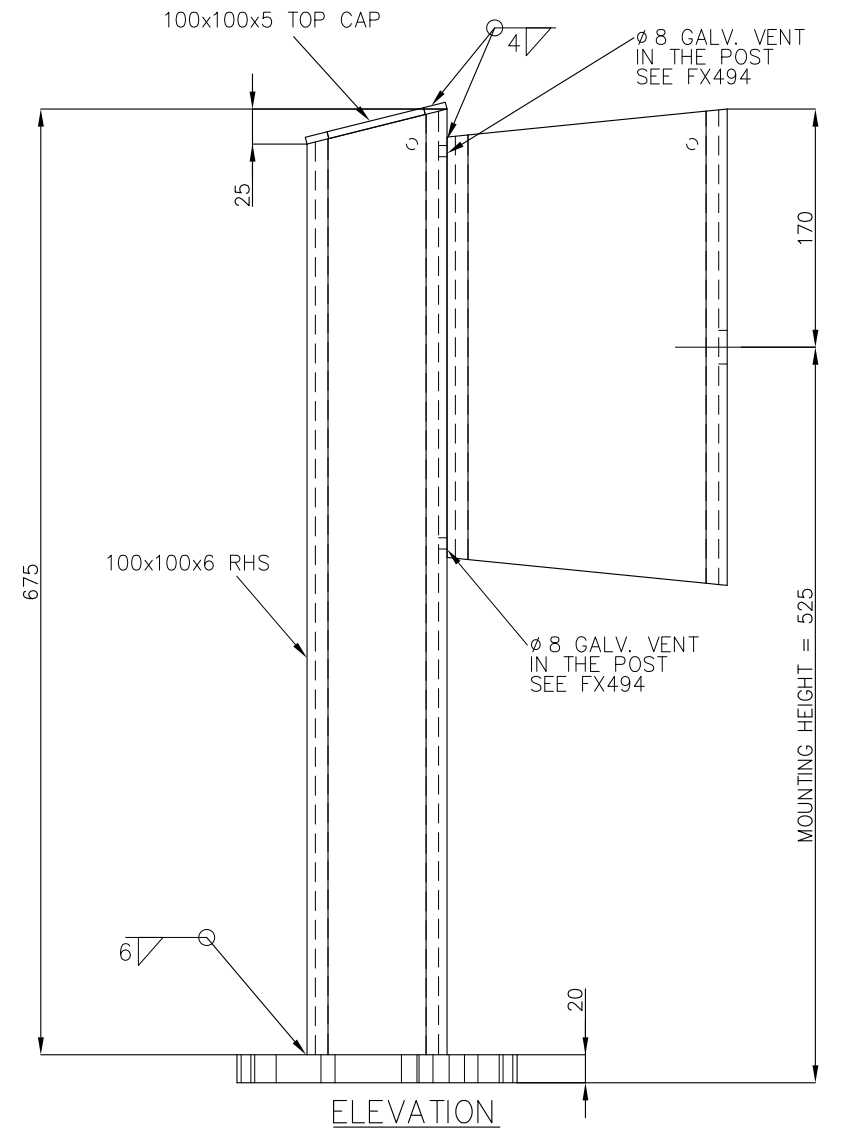
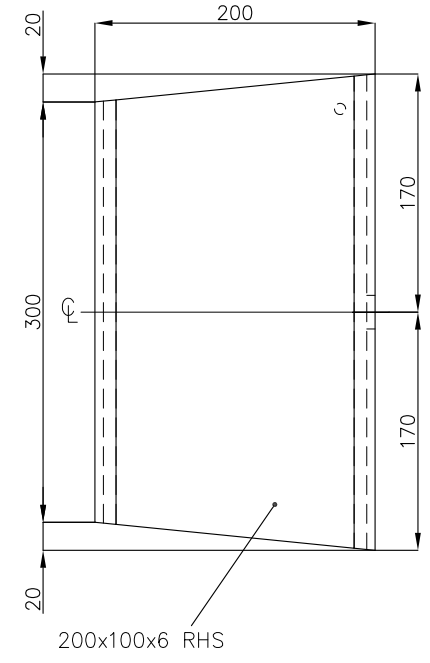


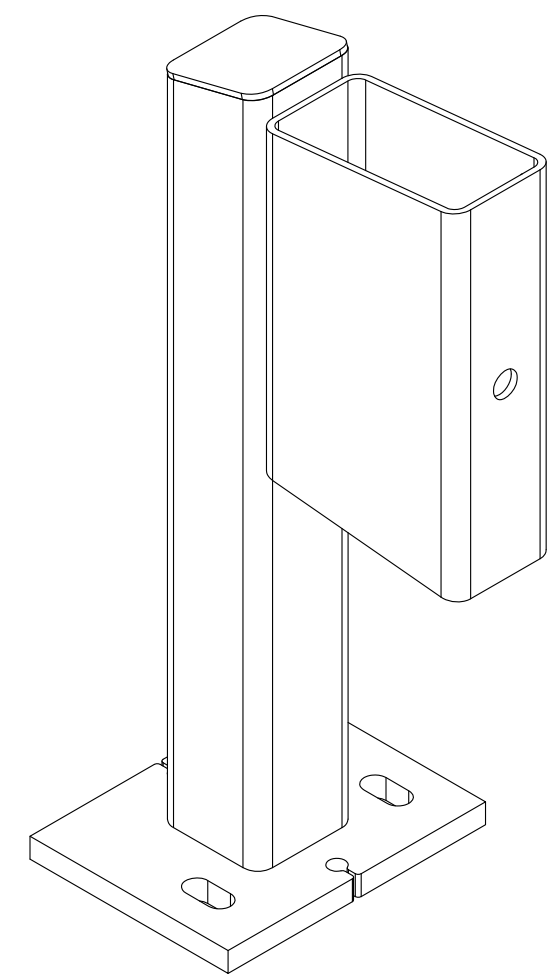
PLAN



ELEVATION



ELEVATION



WEIGHT: 27kg

ISOMETRIC

NOTES:

1. ALL STEELWORK TO BE HOT DIP GALVANISED AFTER FABRICATION TO AS/ NZS 4680 AND STRAIGHTENED AFTER GALVANISING IF REQUIRED.
2. ALL EXPOSED SHARP EDGES AND CORNERS TO BE SLIGHTLY ROUNDED BY GRINDING BEFORE GALVANISING.
3. ALL WELDING TO BE IN ACCORDANCE WITH AS/NZS 1554.1
4. INSTALLATION TO BE IN ACCORDANCE WITH GR-STDNZ-060

| REV | DATE | DESCRIPTION | DRAWN | CHECKED | APPROVED |
|-----|------------|-------------------------------|-------|---------|----------|
| 2 | 16-11-2015 | NOTE ADDITION | M.C. | L.G. | L.G. |
| 1 | 31/08/15 | PART NO ADDED, LABELS AMENDED | M.C. | L.G. | L.G. |
| 0 | 14/06/14 | ORIGINAL ISSUE | A.R. | A.W. | M.K. |

| DRAWING NUMBER | REFERENCE DRAWINGS |
|----------------|--------------------|
| | |

| | NAME | DATE |
|-----------|------------------|----------|
| DRAWN | A.R. | 14/06/14 |
| CHECKED | MC | 31/08/15 |
| APPROVED | LG | 31/08/15 |
| SCALE | N.T.S. @ | A3 |
| ISSUE FOR | INFORMATION ONLY | |

INGAL CIVIL PRODUCTS
 57-65 AIRDS ROAD
 MINTO, N.S.W
 AUSTRALIA 2566
 PH. +61 2 9827 3333
 FAX +61 2 9827 3300
 www.ingalcivil.com.au

DRAWING AND CONTENTS ARE COPYRIGHT TO INGAL CIVIL PRODUCTS AND CAN ONLY BE USED WITH PRIOR WRITTEN CONSENT FROM INGAL CIVIL PRODUCTS

| | |
|---------|---|
| PROJECT | |
| TITLE | NZTA FLEXBEAM STEEL POST ON BASE PLATE |

| | |
|-------------------------------|-----------------|
| INGAL CIVIL PRODUCTS PART No. | 10006178 |
| DRAWING No. | 10006178 |