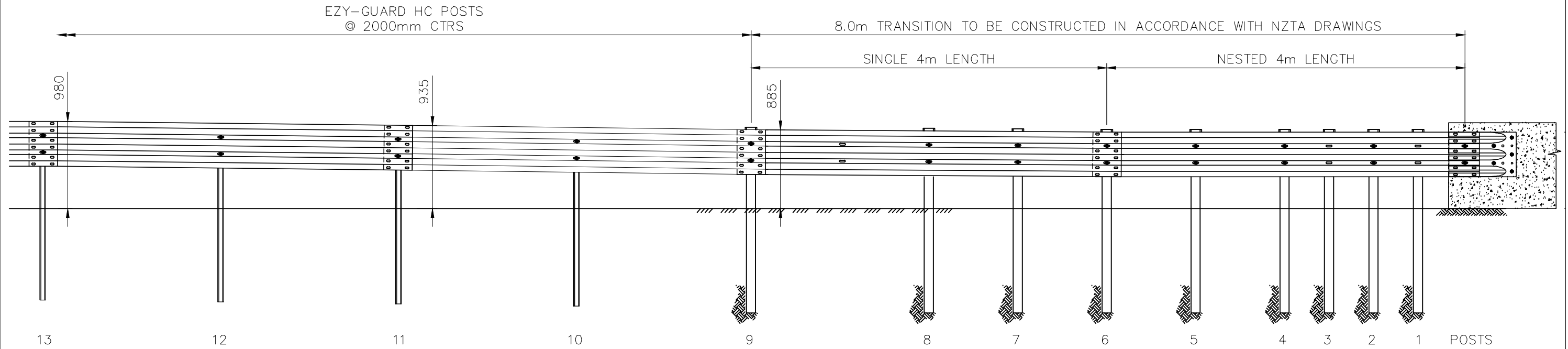


DIRECTION OF TRAVEL →

PLAN



ELEVATION

NOTES:
1. TO BE READ IN ACCORDANCE WITH NZTA DRAWING NO. RSB-5, POSTS 0-9 ONLY

REVISIONS						REFERENCES		DRAWING INFORMATION			PROJECT		PART No.		
REV	DATE	DESCRIPTION	DRAWN	CHECKED	APPROVED	DRAWING NUMBER	REFERENCE DRAWINGS	NAME	DATE	SCALE	TITLE	DRAWING No.	INGAL CIVIL PRODUCTS PART No.		
0		ORIGINAL ISSUE						DRAWN	MC	23-01-17	<p>INGAL CIVIL PRODUCTS A valmont COMPANY</p> <p>DRAWING AND CONTENTS ARE COPYRIGHT TO INGAL CIVIL PRODUCTS AND CAN ONLY BE USED WITH PRIOR WRITTEN CONSENT FROM INGAL CIVIL PRODUCTS</p> <p>57-65 AIRDS ROAD MINTO, N.S.W 2566 PH. +61 2 9827 3333 www.ingalcivil.com.au</p>	<p>EZY-GUARD HIGH CONTAINMENT TRANSITION TO NZTA CONCRETE BARRIER</p>		<p>INGAL CIVIL PRODUCTS PART No.</p> <p>EZY-HC-012</p>	
							CHECKED	LG	23-01-17						
							APPROVED	LG	23-01-17						
							ISSUE FOR	INFORMATION ONLY							
								PROJECT							
								TITLE							
								ISSUE FOR							
								SCALE							
								NAME							
								DATE							

J:\SALES & MARKETING\DRAWINGS\EZY-GUARD\HC-EZY-HC-012 - NZTA CONC TRANSITION TO EZY GUARD HC.DWG

Rev: 0