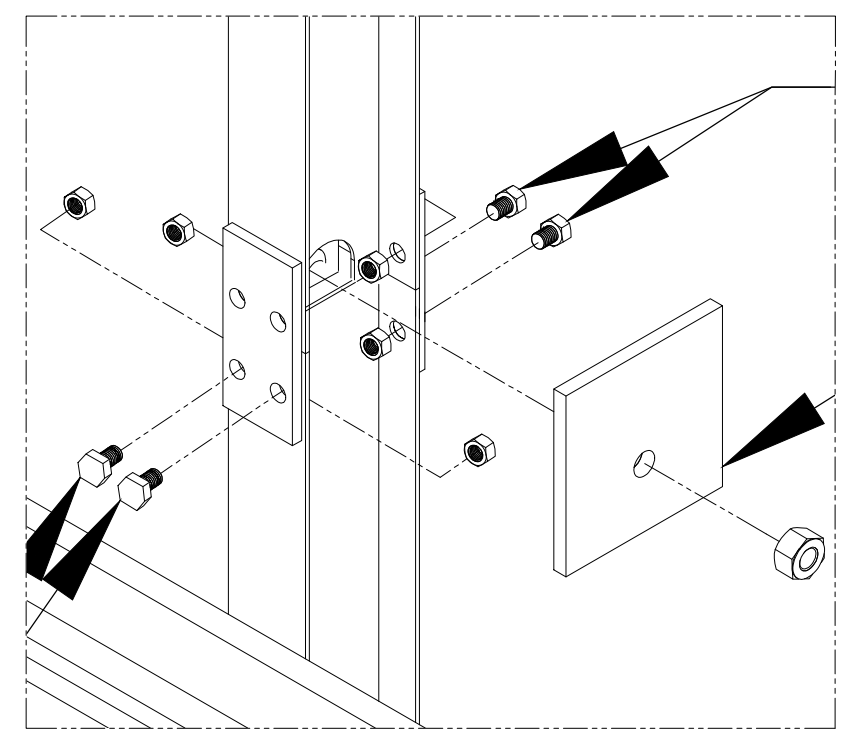
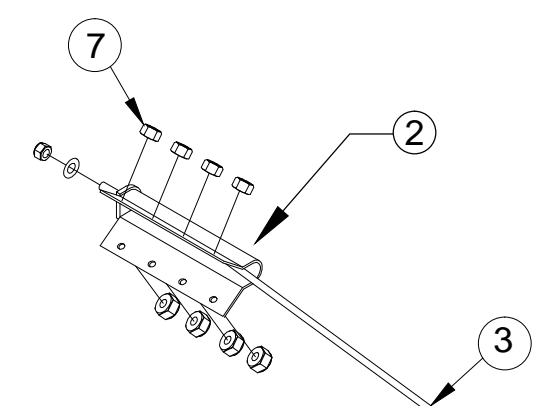
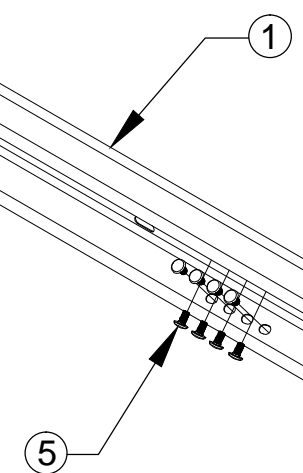
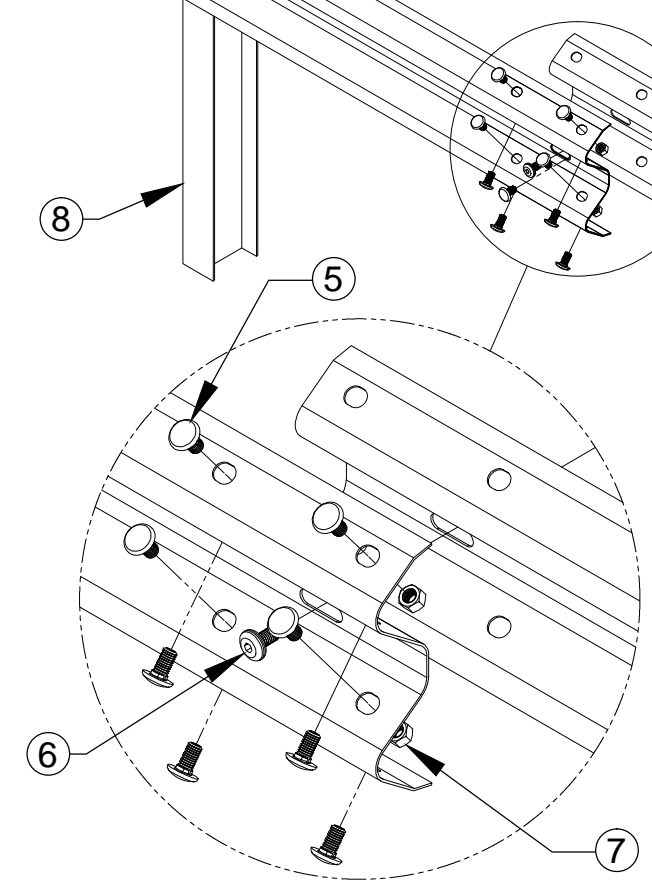


RAIL NOT BOLTED TO  
1830mm SYT POST



DETAIL B



DETAIL A

Bill of Materials			
Item No.	Part No.	Description	Qty
1	10003966	G/RL 3.81M NZ ANCHOR RAIL GALV	1
2	10000727	W Beam BCT Anchor Bracket	1
3	10000719	Cable Assembly 2m	1
4	10001218	Bearing Plate 200x200x16mm	1
5	10001248	M16 x 32 Splice Bolt Grade 8.8	16
6	10001233	M16 x 50 Post Bolt	1
7	10001239	M16 Oversize Nut	17
8	10001396	ET-Plus 1830mm SYT Post Galv	1
9	10001400	ET-Plus Angle Strut SYT Galv	1
10	10001240	M16 x 30 Hex. Bolt/Nut Grade 4.6	6
11	10007716	NZTA TT Anchor Post Top 800mm	1
12	10007717	NZTA TT Anchor Post Bottom 1800mm	1

REVISIONS						
REV	DATE	DESCRIPTION	DRAWN	CHECKED	APPROVED	
0		ORIGINAL ISSUE				

REFERENCES	
DRAWING NUMBER	REFERENCE DRAWINGS

	NAME	DATE
DRAWN	MC	19-04-16
CHECKED	SE	19-04-16
APPROVED	LG	19-04-16
SCALE	N.T.S. @	A3
ISSUE FOR	INFORMATION ONLY	

INGAL CIVIL PRODUCTS  
A valmont COMPANY

DRAWING AND CONTENTS ARE COPYRIGHT TO  
INGAL CIVIL PRODUCTS AND CAN ONLY BE USED  
WITH PRIOR WRITTEN CONSENT FROM INGAL CIVIL  
PRODUCTS

57-65 AIRDS ROAD  
MINTO, N.S.W 2566

PH. +61 2 9827 3333  
www.ingalcivil.com.au

PROJECT	TITLE
	NZ INTERMEDIATE GUARDRAIL ANCHOR ISOMETRIC EXPLODED ASSEMBLY VIEW

INGAL CIVIL PRODUCTS PART No. 10007922	DRAWING No. CAB-STD-134
--	----------------------------