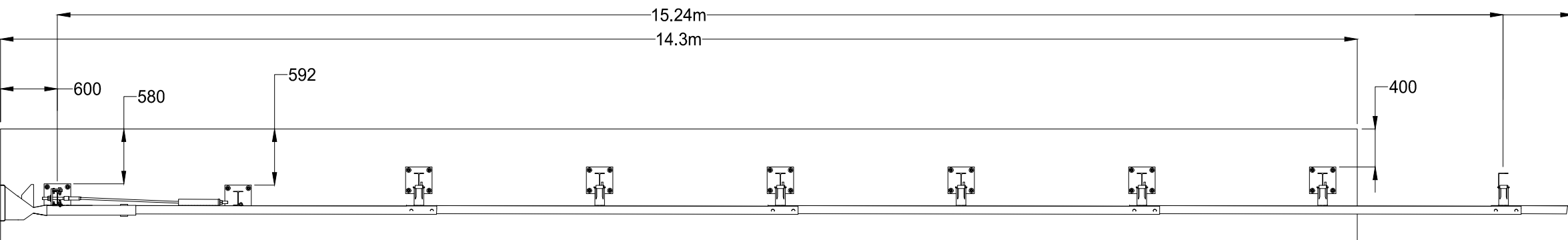
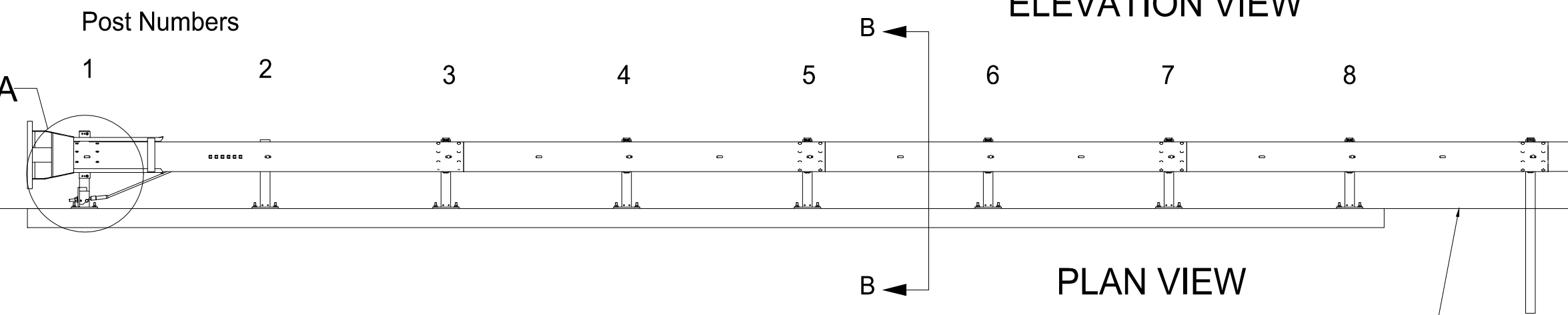


TERMINAL ON CONCRETE DETAILS

STANDARD
GUARDRAIL &
POST SECTIONS

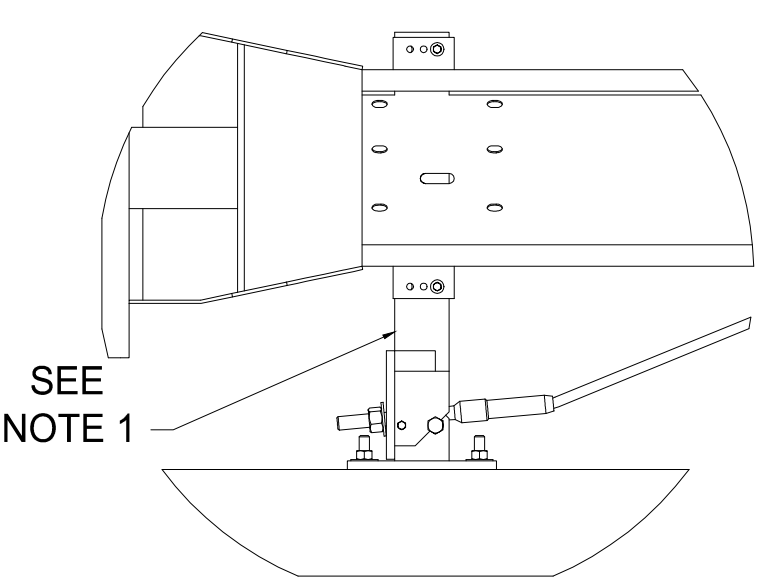


ELEVATION VIEW

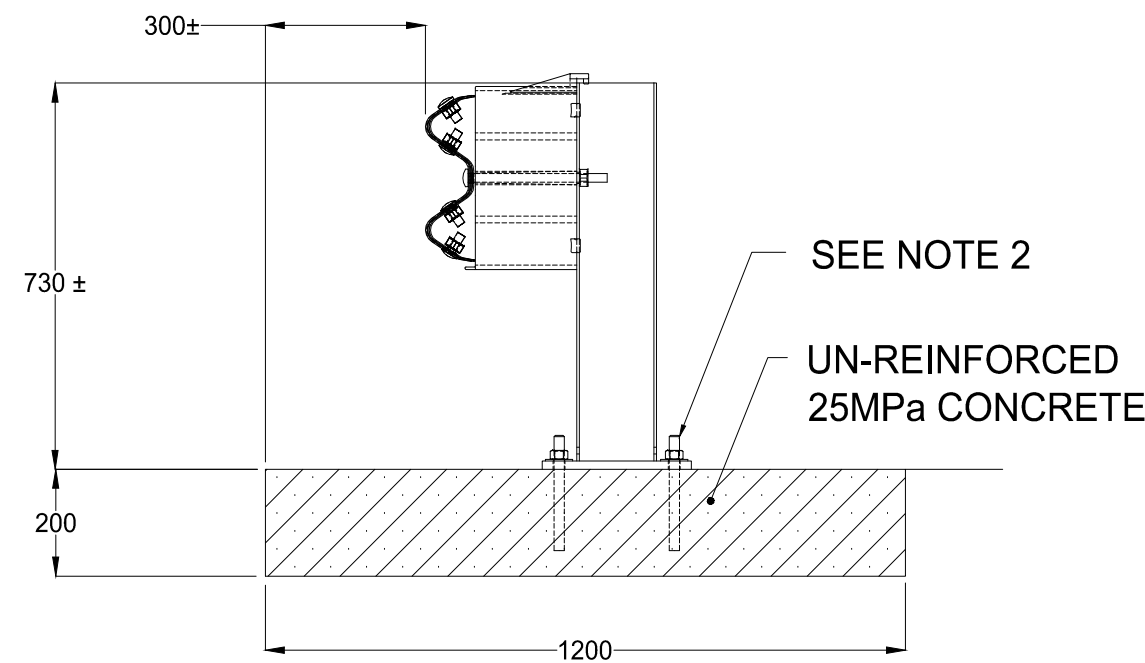


PLAN VIEW

Part	Description	Qty
10000985	W Beam 3810mm NLL	3
10001416	ET-2000 3810mm NLL Anchor Rail Galv	1
10001422	ET-2000 Cable Anchor Fitting Galv	1
10001218	Bearing Plate 200x200x16mm	1
10001419	ET-2000 Extruder Head Galv	1
10000719	Cable Assembly 2m	1
10001298	5/8" ROUND WASHER 1 3/4" OD GL	6
10001299	5/8" HEX NUT GALV	6
10001300	5/8" X 10" G/R BOLT GALV	6
10001248	M16 x 32 Splice Bolt Grade 8.8	33
10001239	M16 Oversize Nut	33
10001284	3/4" ROUND WASHER GALV	2
10001285	3/4" HEX NUT GALV	2
10001286	3/4" X 2 1/2" HEX HD BOLT GALV	2
10001397	ET-Plus 355mm King Block	6
10001287	3/8" ROUND WASHER GALV	4
10001288	3/8" FENDER WASHER 1 1/2" OD G	2
10001289	3/8" LOCK WASHER GALV	2
10001290	3/8" X 1 1/2" HEX HD BOLT GALV	2
10001294	7/16" HEX NUT GALV	2
10001295	7/16" ROUND WASHER GALV	2
10001296	7/16" X 1 1/2" HEX HD BOLT GALV	2
10001297	7/16" LOCK WASHER GALV	2
10001291	3/4" LOCK WASHER GALV	2
10001292	3/8" X 2" HEX HD BOLT GALV	2
10001293	3/8" HEX NUT GALV	4
10006805	ET-Plus SYT post on 16mm Base Plate	7
10006812	ET-2000 776mm HBA Top Post Galv	1
10006815	ET-2000 HBA Base Plate Assy Galv	1



DETAIL A



SECTION B-B

NOTES:

- POST 1 IS A MODIFIED HBA POST, AND POSTS 2 - 8 ARE MODIFIED SYT POSTS. THERE IS NO STRUT.
- HILTI HT-Z (OR EQUIVALENT) Ø20 X 215mm ANCHORS, 4 PER POST. EMBEDMENT DEPTH IS 150mm ± 5. INSTALL ACCORDING TO MANUFACTURER'S INSTRUCTIONS USING HILTI HIT-HY 200-R EPOXY (OR EQUIVALENT). DO NOT DRILL DEEPER THAN 165mm. TYPICAL FOR POSTS 1 - 8.
- ASSUMED SOIL CONDITIONS: $\phi = 30^\circ$
 $y = 19 \text{ kN/m}^3$
or: $C_u = 50 \text{ kPa}$
- MIN OFFSET FROM HINGE POINT TO CONCRETE PAD: 1m.
- WHERE GROUND CONDITIONS VARY FROM THE AFOREMENTIONED, A SITE SPECIFIC FOUNDATION MAY NEED TO BE DESIGNED.

REV	DATE	DESCRIPTION	DRAWN	CHECKED	APPROVED
5	27-06-2016	NOTES 3, 4 AND 5 ADDED	MC	LG	LG
4	19-08-2015	BOM AND PART NO ADDED	MC	LG	LG
3	05-12-2014	'OR EQUIVALENT' ADDED	LG	SE	LG
2	12-08-2014	IMPERIAL ANCHOR CHANGED	LG	SE	LG
1	16-05-2014	DIM CORRECTION	LG	HF	LG

REV	DATE	DESCRIPTION	DRAWN	CHECKED	APPROVED
5	27-06-2016	NOTES 3, 4 AND 5 ADDED	MC	LG	LG
4	19-08-2015	BOM AND PART NO ADDED	MC	LG	LG
3	05-12-2014	'OR EQUIVALENT' ADDED	LG	SE	LG
2	12-08-2014	IMPERIAL ANCHOR CHANGED	LG	SE	LG
1	16-05-2014	DIM CORRECTION	LG	HF	LG

NAME	DATE
DRAWN TRIN	510602-TOC
CHECKED LG	07-04-2014
APPROVED LG	07-04-2014
SCALE	N.T.S. @ A3
ISSUE FOR	APPROVAL

PROJECT	TITLE
INGAL CIVIL PRODUCTS 57-65 AIRDS ROAD MINTO, N.S.W. AUSTRALIA 2566 PH. +61 2 9827 3333 FAX +61 2 9827 3300 www.ingalcivil.com.au	ET2000 PLUS STEEL YIELDING TERMINAL POST SYSTEM SURFACE MOUNT CONFIGURATION

INGAL CIVIL PRODUCTS PART No.	DRAWING No.
10007174	CAB-STD-127