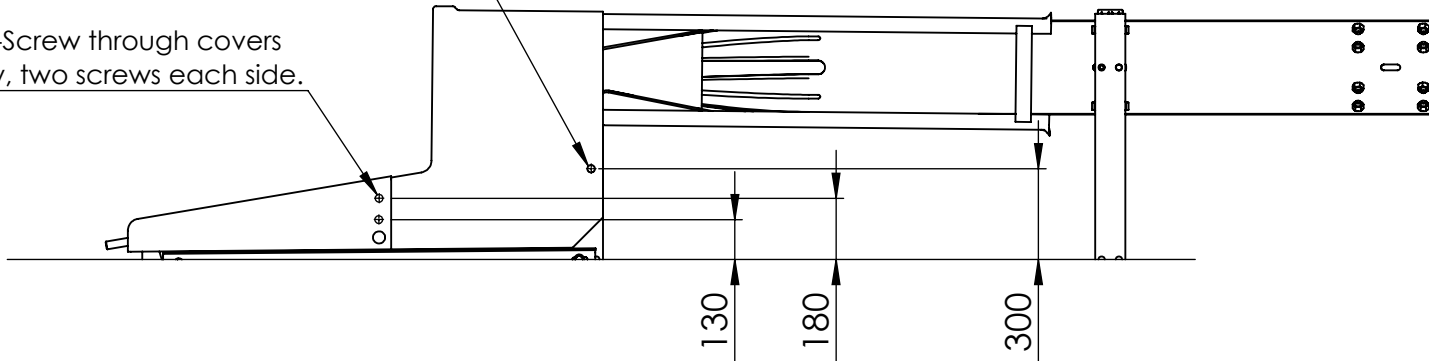


6x Tek-Screws (10001311)

Tek-Screw through Post 1 flange on both sides.

Tek-Screw through covers only, two screws each side.



Notes:

- 1) 10001311 - Tek Screw 14-20 x 25mm Class 4 SDS.
- 2) Sales Kits:
 10009279 - SS Moto Cover Kit - Black LHS
 10009280 - SS Moto Cover Kit - Black RHS
 10009281 - SS Moto Cover Kit - Yellow LHS
 10009282 - SS Moto Cover Kit - Yellow RHS

REV	DATE	DESCRIPTION	DRAWN	CHECKED	APPROVED	DRAWING NUMBER	REFERENCE DRAWINGS	NAME	DATE	PROJECT	TITLE	INGAL CIVIL PRODUCTS PART No.	DRAWING No.
								DRAWN	VB	13/06/2019	SOFTSTOP	10009279	
								CHECKED	LG	13/06/2019			
								APPROVED	LG	13/06/2019			
								SCALE			SOFTSTOP COVER ASSEMBLY		SS-STD-007-NZ
								ISSUE FOR					



DRAWING AND CONTENTS ARE COPYRIGHT TO INGAL CIVIL PRODUCTS AND CAN ONLY BE USED WITH PRIOR WRITTEN CONSENT FROM INGAL CIVIL PRODUCTS.
 57-65 ARDS ROAD
 MINTO, N.S.W 2566
 PH. +61 2 9827 3333
 www.ingalcivil.com.au

Rev: 0

J:\SALES & MARKETING\DRAWINGS\ET-SS\