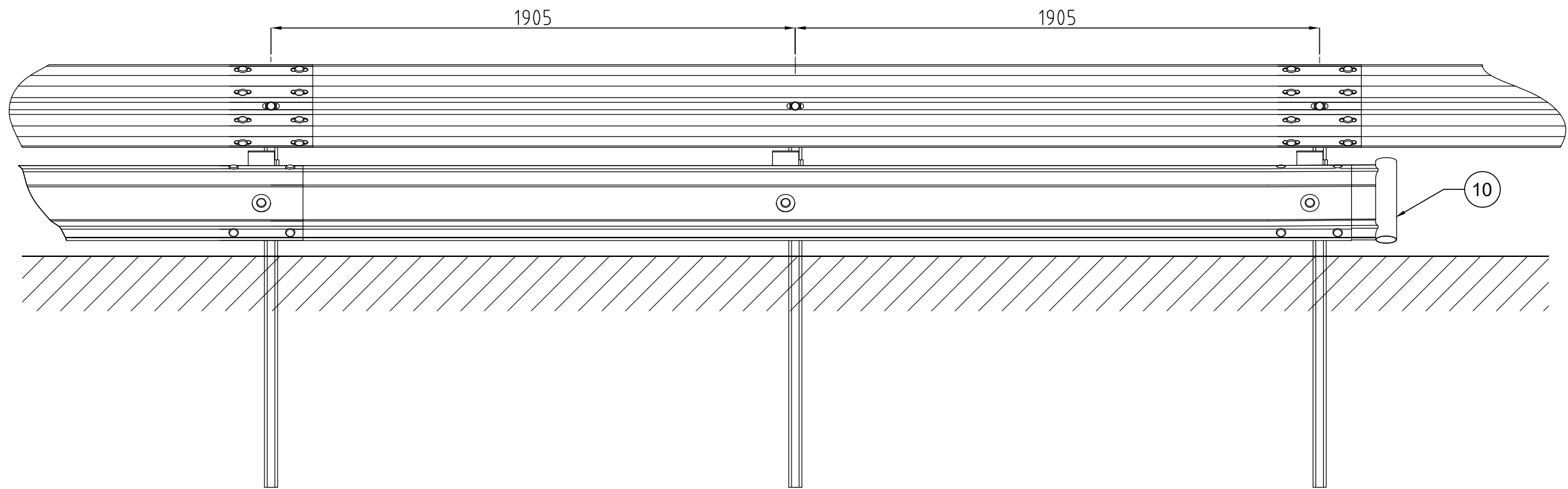
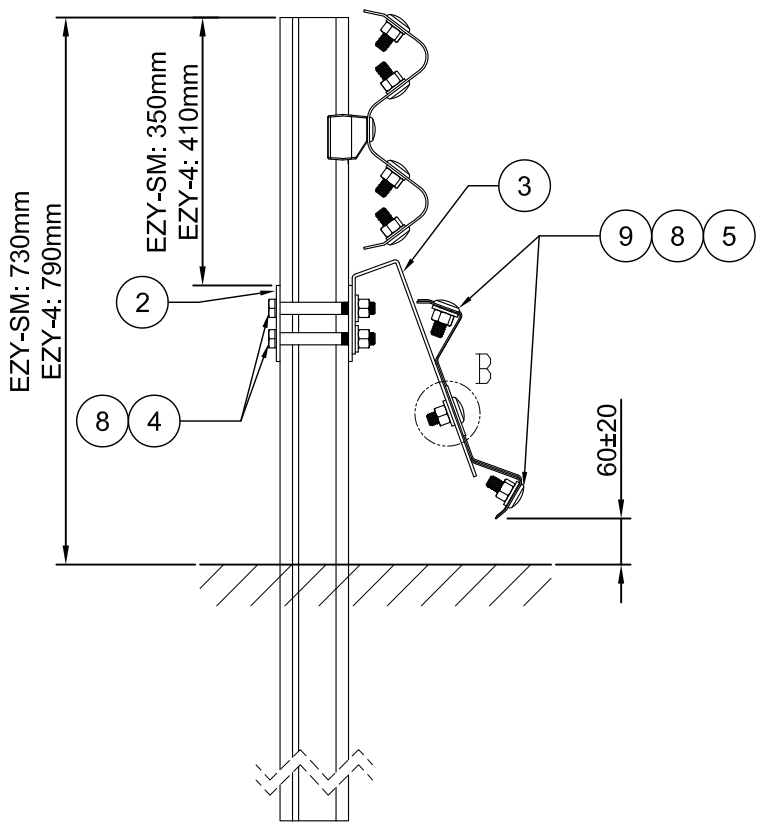
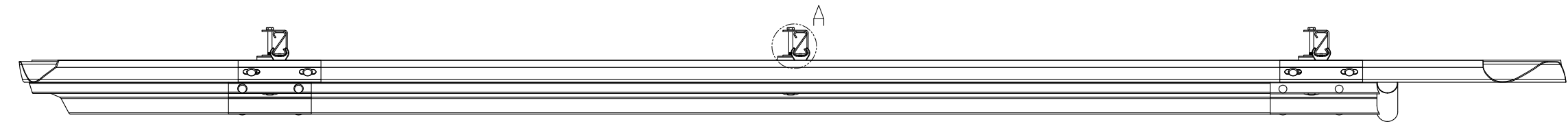
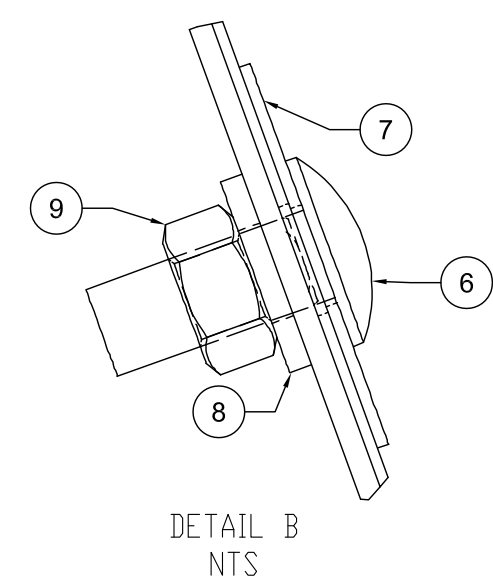
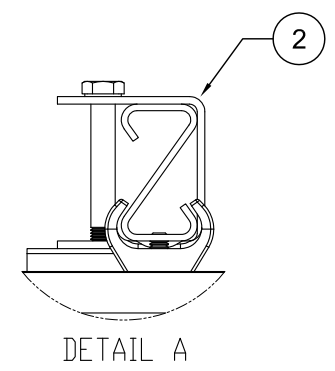
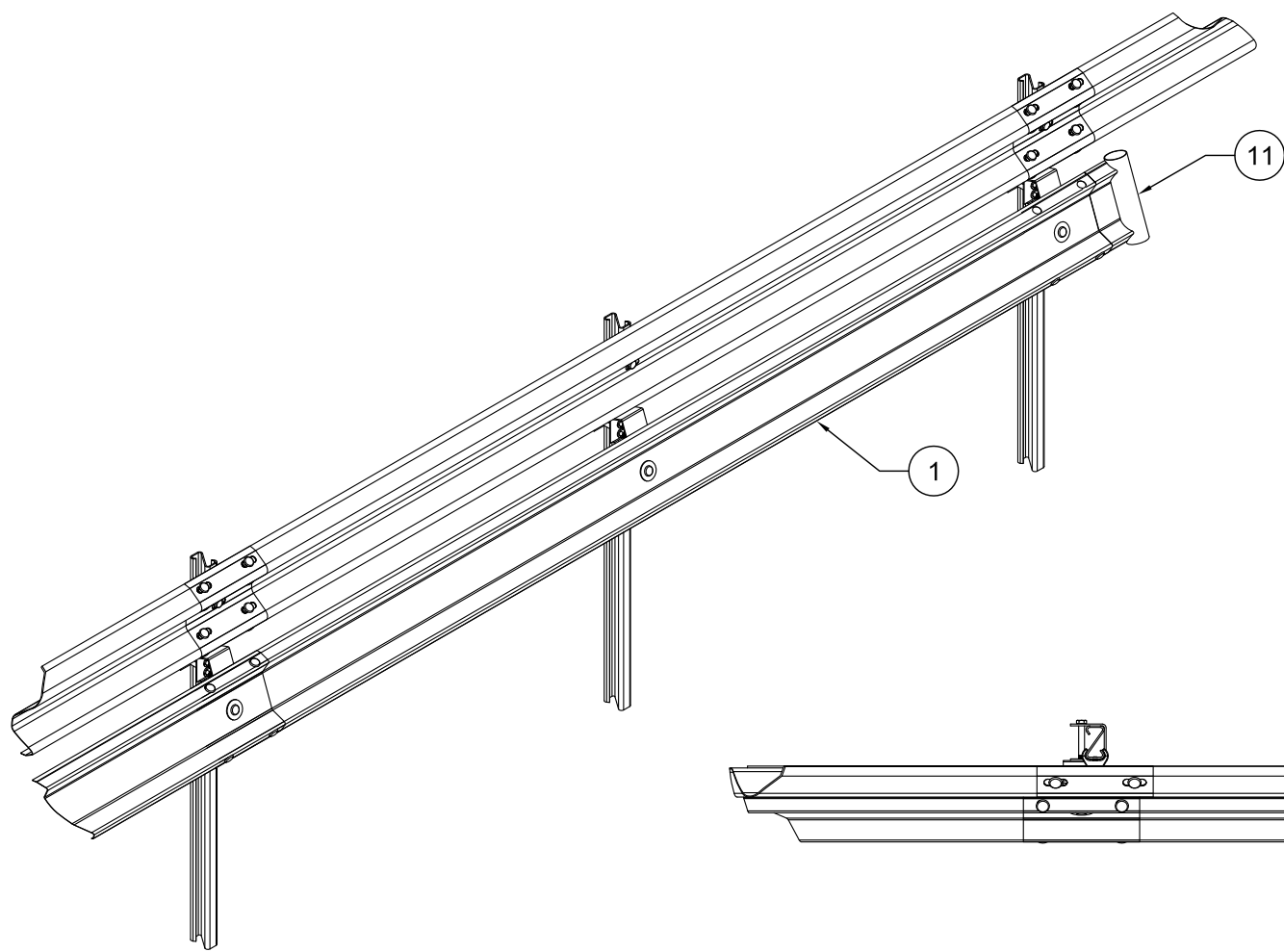


EZY-GUARD CONFIG - MPR BILL OF MATERIALS (3.81m)			
ITEM	QTY	PART NUMBER	DESCRIPTION
1	1	10007769	Motorcyclist protection beam
2	2	10007332	Z-Post Bracket
3	2	10006772	Rail mounting bracket
4	4	10003618	M16x130 Hex bolt/nut
5	4	10001248	Round head bolt M16x32
6	2	10006769	Round head bolt M16x40
7	2	10006771	Slot Washer $\phi 70 \times 2$
8	6	10006770	Washer $\phi 35 \times 17 \times 4$
9	6	10007834	M16 nut
10		10006767	MPR END TERMINAL



- NOTES:
- ALL STEELWORK TO BE HOT DIP GALVANISED AFTER FABRICATION TO AS/NZS 4680 AND STRAIGHTENED AFTER GALVANISING IF REQUIRED.
  - TO BE READ IN CONJUNCTION WITH EZY-GUARD PRODUCT MANUAL

REV	DATE	DESCRIPTION	DRAWN	CHECKED	APPROVED
4	25-05-2017	DIMS ADDED	MC	LG	MC
3	22-11-16	WASHER QTY REDUCED	MC	LG	MC
2	31-08-16	PART NUMBERS AND LABELS ADDED TO DRAWING	MC	LG	
1	20-07-2015	BOM CORRECTION - ITEM 10	LG		

DRAWING NUMBER	REFERENCE DRAWINGS

	NAME	DATE
DRAWN	A.R.	29/10/2015
CHECKED	LG	29/10/2015
APPROVED		
SCALE	N.T.S. @	A3
ISSUE FOR	INFORMATION ONLY	

**INGAL CIVIL PRODUCTS**  
 57-65 AIRDS ROAD  
 MINTO, N.S.W.  
 AUSTRALIA 2566  
 PH. +61 2 9827 3333  
 FAX +61 2 9827 3300  
 www.ingalcivil.com.au

DRAWING AND CONTENTS ARE COPYRIGHT TO  
 INGAL CIVIL PRODUCTS AND CAN ONLY BE USED  
 WITH PRIOR WRITTEN CONSENT FROM INGAL CIVIL  
 PRODUCTS

PROJECT	TITLE
	INGAL MPR MOTORCYCLIST PROTECTION 3.81m EZY-GUARD CONFIGURATION ASSEMBLY DETAILS

INGAL CIVIL PRODUCTS PART No. 10007895	DRAWING No. ICP-MPR-007
--	----------------------------

J:\SALES & MARKETING\DRAWINGS\INGAL MPR\ICP-MPR-007 - EZY-GUARD 3.81M WITH MPR.DWG