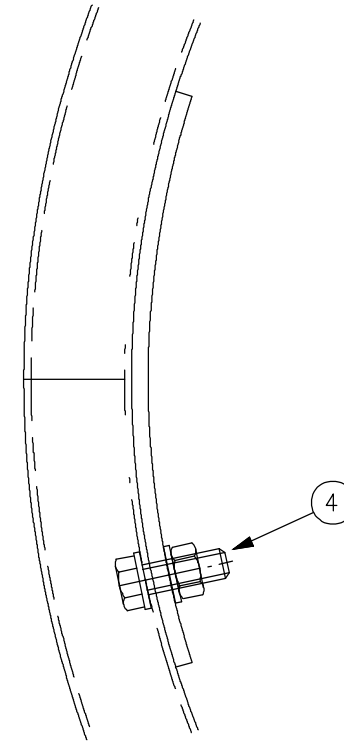
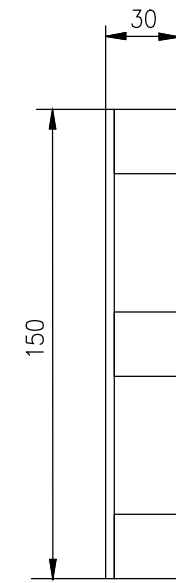


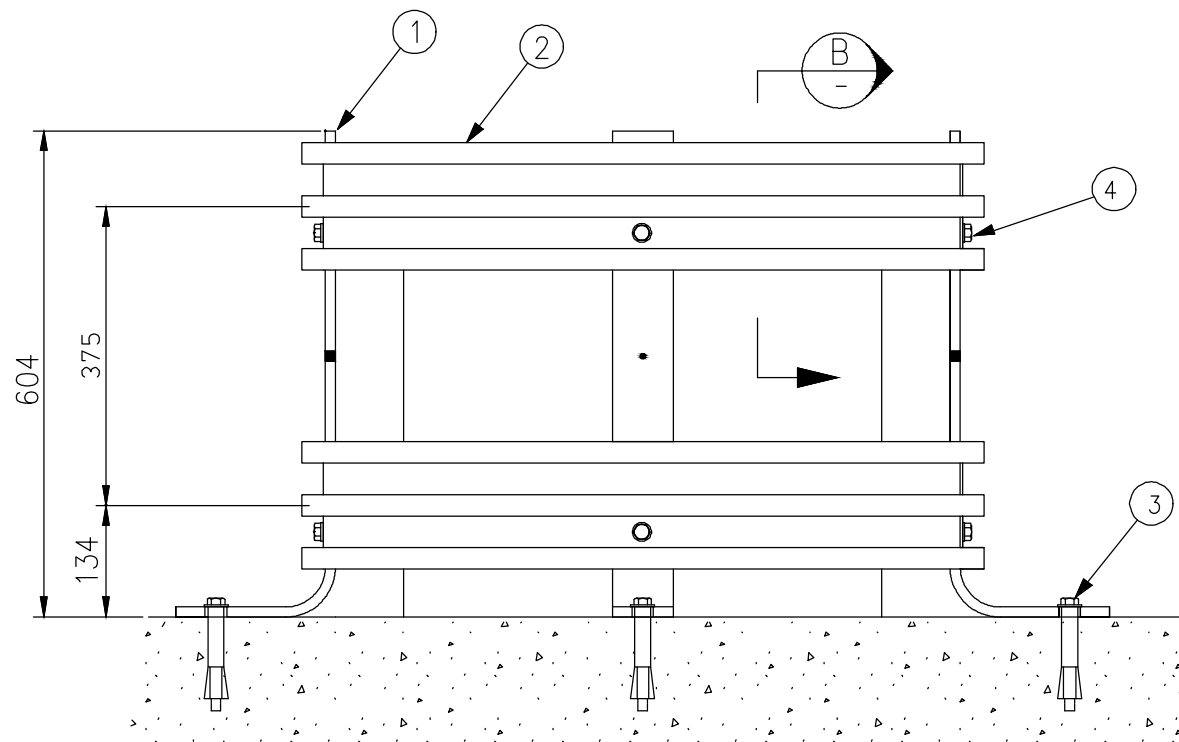
PLAN VIEW



DETAIL A



VIEW B



ELEVATION

- NOTES:
1. ALL DIMENSIONS ARE IN MILLIMETRES.
 2. HOLES FOR RAIL ATTACHMENT TO POSTS ARE TO BE DRILLED ON SITE.
 3. MATERIAL = AS SHOWN.
 4. FINISH = H.D.GALV.

| BILL OF MATERIALS | | | |
|-------------------|------------------|-----------------------------|-----|
| ITEM No. | PART No. | DESCRIPTION | QTY |
| 1 | 10001701 (C1984) | 610mm COLUMN BUFFA POST | 4 |
| 2 | 10008305 | 750mm DIA. RAIL SEMI CIRCLE | 4 |
| 3 | 10001725 | ANCHOR BOLT | 4 |
| 4 | 10001727(C1999) | M12 x 45mm BOLT/NUT/WASHER | 16 |

| REV | DATE | DESCRIPTION | DRAWN | CHECKED | APPROVED |
|-----|----------|---|-------|---------|----------|
| 1 | 25-01-17 | DWG NO UPDATED, BOTTOM PLATE REMOVED, BORDER CHANGE | MC | PP | PP |

| REV | DATE | DESCRIPTION | DRAWN | CHECKED | APPROVED |
|-----|------|-------------|-------|---------|----------|
| | | | | | |

| NAME | DATE |
|----------------------------|------------|
| DRAWN PP | 19-10-2016 |
| CHECKED MC | 19-10-2016 |
| APPROVED PP | 19-10-2016 |
| SCALE N.T.S. @ A3 | |
| ISSUE FOR INFORMATION ONLY | |

DRAWING AND CONTENTS ARE COPYRIGHT TO INGAL CIVIL PRODUCTS AND CAN ONLY BE USED WITH PRIOR WRITTEN CONSENT FROM INGAL CIVIL PRODUCTS
 57-65 AIRDS ROAD MINTO, N.S.W 2566 PH. +61 2 9827 3333 www.ingalcivil.com.au

| | |
|-------------|---|
| PROJECT | INGAL CIVIL PRODUCTS PART No. 10008312 |
| TITLE | COLUMN BUFFA 750mm DIAMETER GENERAL ARRANGEMENT |
| DRAWING No. | STB-102 |