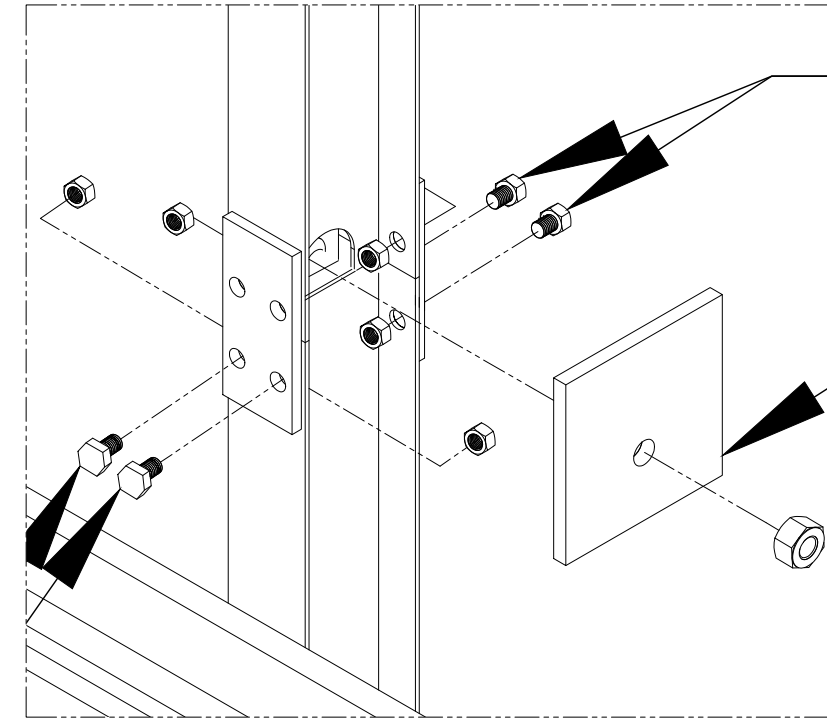
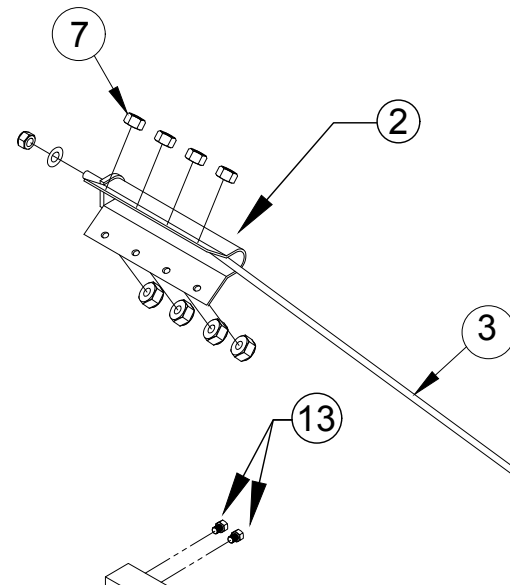
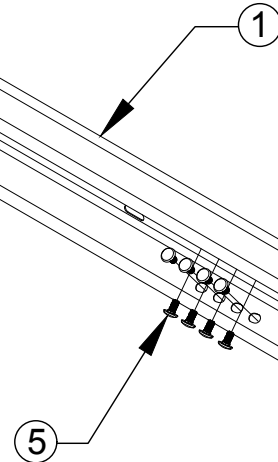
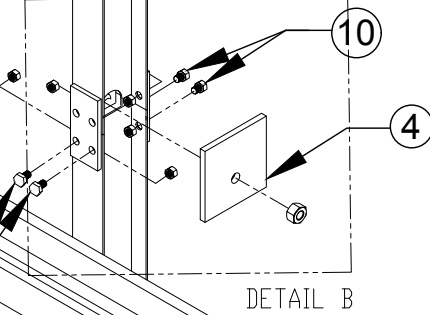
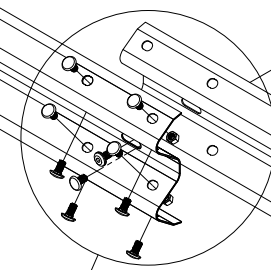
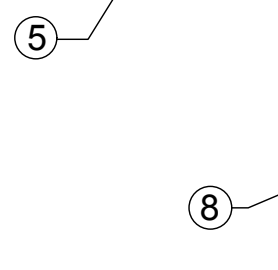


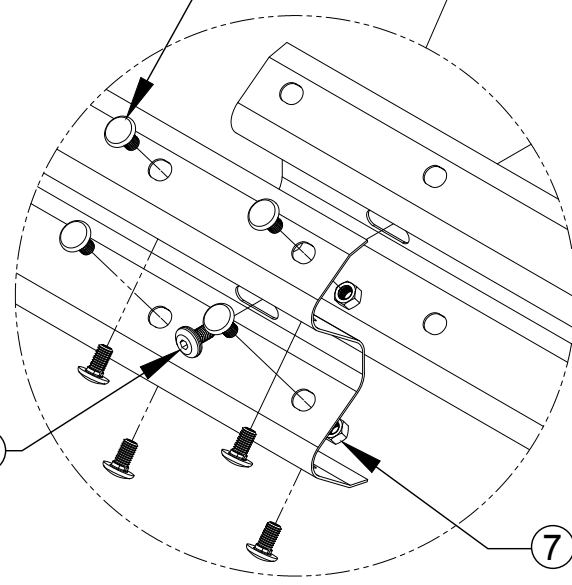
RAIL NOT BOLTED TO
1830mm SYT POST



DETAIL B



DETAIL B



DETAIL A

Bill of Materials			
Item No.	Part	Description	Qty
1	10003966	W Beam 3810mm NLL NZ Anchor Rail	1
2	10000727	W Beam BCT Anchor Bracket	1
3	10000719	Cable Assembly 2m	1
4	10001218	Bearing Plate 200x200x16mm	1
5	10001248	M16 x 32mm Splice Bolt Grade 8.8	13
6	10001233	M16 x 50mm Post Bolt Grade 4.6	1
7	10001239	M16 Oversize Nut	14
8	10007987	NZTA TT POST 2 1830mm GALV	1
9	10001400	ET-Plus Angle Strut SYT	1
10	10001240	M16 x 30mm Hex Bolt & Nut Grade 4.6	4
11	10007716	NZTA TT Anchor Post Top 800mm	1
12	10007717	NZTA TT Anchor Post Bottom 1800mm	1
13	10008236	M10 x 45mm Hex Hd Bolt & Nut	2

REV	DATE	DESCRIPTION	DRAWN	CHECKED	APPROVED
2	05/07/2018	BILL OF MATERIALS ITEMS 5, 7, 8 AND 10 UPDATED	VB	LG	LG
1	15/06/2018	M10 x 45mm HEX BOLT & NUT ADDED - ITEM 13; ITEM 10 QTY UPDATED	VB	LG	LG

DRAWING NUMBER	REFERENCE DRAWINGS

NAME	DATE
DRAWN MC	19-04-16
CHECKED SE	19-04-16
APPROVED LG	19-04-16
SCALE N.T.S. @ A3	
ISSUE FOR INFORMATION ONLY	

INGAL CIVIL PRODUCTS
A valmont COMPANY

DRAWING AND CONTENTS ARE COPYRIGHT TO INGAL CIVIL PRODUCTS AND CAN ONLY BE USED WITH PRIOR WRITTEN CONSENT FROM INGAL CIVIL PRODUCTS

57-65 AIRDS ROAD
MINTO, N.S.W 2566

PH. +61 2 9827 3333
www.ingalcivil.com.au

PROJECT	TITLE
	NZ INTERMEDIATE GUARDRAIL ANCHOR ISOMETRIC EXPLODED ASSEMBLY VIEW

INGAL CIVIL PRODUCTS PART No.	DRAWING No.
10007922	CAB-STD-134