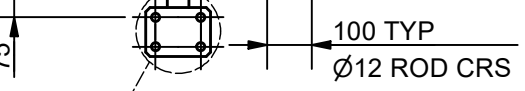


ELEVATION VIEW

SQUARE OR CIRCULAR FORMWORK TO BE USED AT TOP OF FOOTING. CONCRETE TO SLOPE 25mm AWAY FROM POST FORMWORK AS DIRECTED BY CLIENT

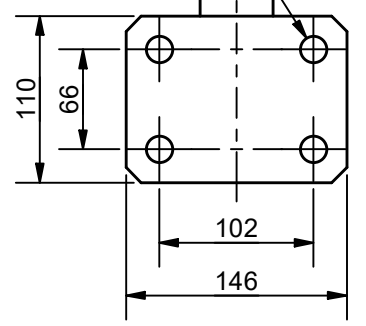
NOTES:

1. CUSTOMER TO NOMINATE PREFERRED FOOTING / FIXING (IN GROUND, PLATFORM & SIDE MOUNT).
2. PROTECTION TREATMENT AND PAINT SYSTEMS TO BE IN ACCORDANCE WITH CLIENT REQUIREMENTS.
3. ALL POSTS TO BE 40NB (48.3 OD, 3.2 THICK) GALVANISED STEEL TUBE.
4. BARRIER DESIGNED TO MEET RECOMMENDATIONS FOR SHARED PATH BARRIER AS OUTLINED IN AUSTRROADS GUIDE TO ROAD DESIGN PART 6A - PATHS FOR WALKING AND CYCLING.
5. STANDARD MONOWILLS VELOCITY FULL BARRIER DESIGNED TO MEET BARRIER TYPE C3 AS/NZS 1170.1:2002 (R2016)
6. BARRIER DESIGNED TO MEET NCC 2016 BCA BARRIER REQUIREMENTS TO PREVENT FALLS
7. ALL WELDS TO BE 4MM C.F.W. (CONTINUOUS FILLET WELDS) TO AS/NZS 1554.1.
8. PREFERRED COLD GALVANISING TREATMENT FOR IN-SITU WELDS, CUT ENDS OR OTHER BARE STEEL TO BE IN ACCORDANCE WITH AS/NZS 4680:2006 CLAUSE 8 REPAIR PROCEDURE.
9. ALL CONCRETE TO BE GRADE N25 OR AS CLIENT SPECIFIED.
10. POSTS INSTALLED IN EXISTING BRIDGE/CULVERT CONCRETE TO BE GROUTED INTO Ø90mm HOLE WITH 1:3 CEMENT MORTAR BY VOLUME AFTER THEY HAVE BEEN CAREFULLY ALIGNED.
11. THESE FENCES ARE INTENDED AS A PEDESTRIAN BARRIER AND ARE NOT TO BE USED IN SITUATIONS WHERE MOTOR VEHICLES REQUIRE RESTRAINT.

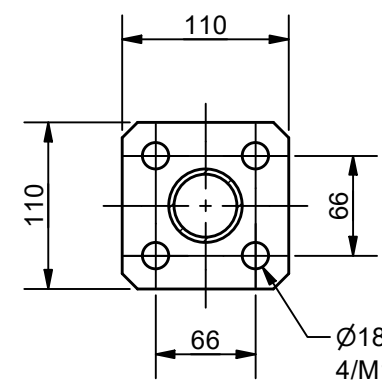


DETAIL 1
TYPICAL SLIP JOINT

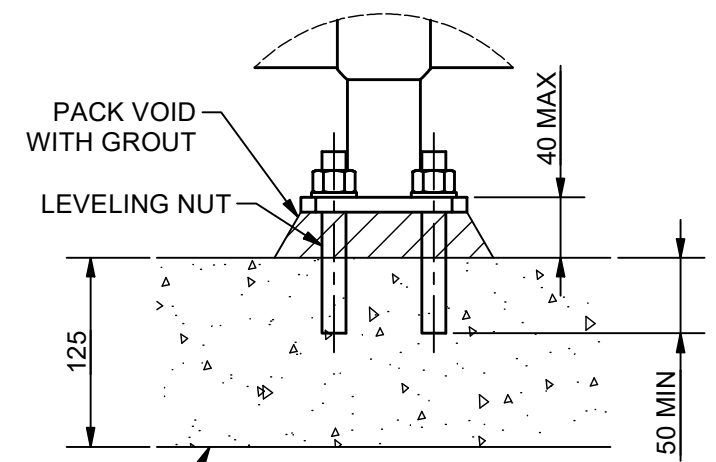
Ø18 HOLES FOR:
4/M16x110 CAST IN-SITU GAL BOLTS OR
4/CHEMSET FASTENERS



DETAIL 3



SECTION B-B



DETAIL 2

DRAWING DISCLAIMER:
WEBFORGE PROVIDES THE INFORMATION CONTAINED IN THIS DRAWING AS A GUIDE FOR YOUR INFORMATION ONLY. WEBFORGE HAS TAKEN REASONABLE CARE TO ENSURE THE ACCURACY OF THE INFORMATION AT THE TIME OF PRODUCTION. WEBFORGE EXPRESSLY DISCLAIMS ALL LIABILITY WHATSOEVER FOR (INCLUDING ANY DIRECT OR INDIRECT LOSS OR DAMAGE, COSTS OR EXPENSES HOWSOEVER INCURRED BY ANY PERSON) RELIANCE ON THE WHOLE OR ANY PART OF THE INFORMATION CONTAINED IN OR OMITTED FROM THIS DRAWING. WEBFORGE RESERVES THE RIGHT TO MAKE TECHNICAL CHANGES WITHOUT NOTICE.



| 1 | DETAIL 3 ADDED, SECTION B-B FIXINGS REVISED | 16/06/21 | AJM |
|---|---|---|-------|
| 0 | ISSUED FOR PUBLICATION | 01/09/20 | AJM |
| REV | DESCRIPTION | DATE | DRAWN |
| | DRAWN | AJM | |
| | DRAWN DATE | 01SEP20 | |
| | APPROVED | MT | |
| | APPROVED DATE | 01SEP20 | |
| DO NOT SCALE ALL DIMENSIONS IN mm U.N.O. | | CLIENT WEBFORGE PRODUCT MONOWILLS VELOCITY FULL BARRIER ASSEMBLY DRAWING NUMBER MWVL-EX-001 | |
| | | SHEET | REV |
| | | 1 OF 1 | 1 |