

D

C

B

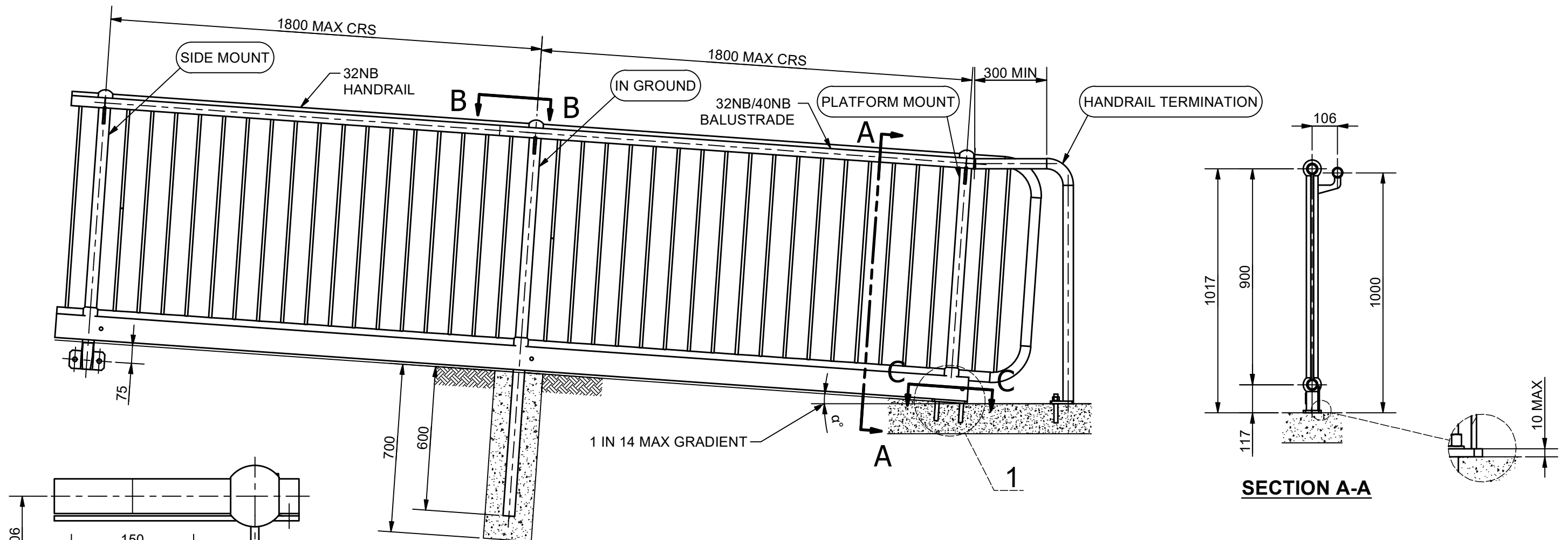
A

D

C

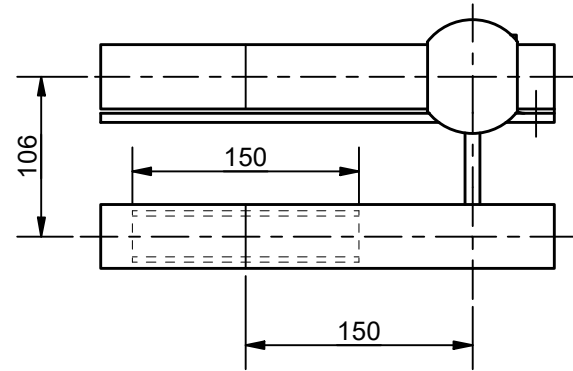
B

A

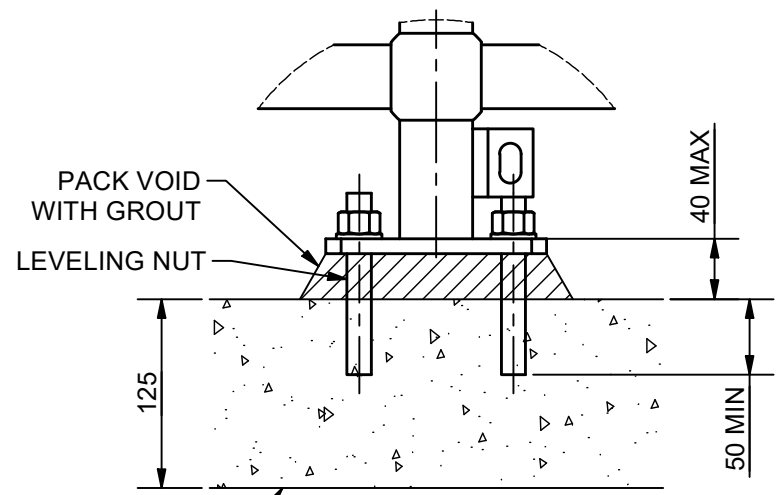


ELEVATION VIEW

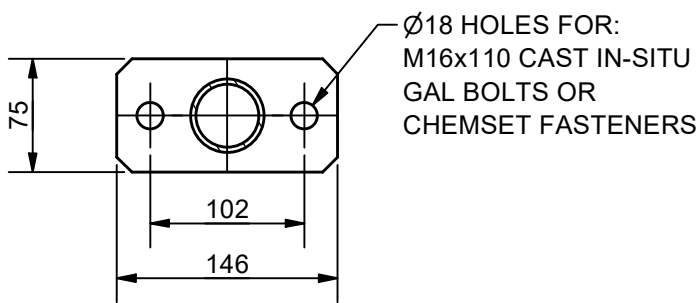
SECTION A-A



SECTION B-B
TYPICAL SLIP JOINT



DETAIL 1
(KICK PLATE NOT SHOWN FOR CLARITY)



SECTION C-C
(TYPICAL BASE PLATE DETAIL
FOR PLATFORM AND SIDE STANCHIONS)
(KICK PLATE NOT SHOWN FOR CLARITY)

NOTES:

- CUSTOMER TO NOMINATE PREFERRED FOOTING / FIXING (IN GROUND, PLATFORM & SIDE MOUNT).
- CUSTOMER TO NOMINATE PREFERRED BARRIER SIZE - 32NB STANDARD SYSTEM OR 40NB HEAVY SYSTEM.
- ALL POSTS TO BE 40NB (48.3 OD, 3.2 THICK) GALVANISED STEEL TUBE.
- BARRIER DESIGNED TO MEET FUNCTIONAL REQUIREMENTS OF AS/NZS 1428.1:2009 - DESIGN FOR ACCESS AND MOBILITY
- STANDARD MONOWILLS DISABILITY BALUSTRADE DESIGNED TO MEET BARRIER TYPE C3 AS/NZS 1170.1:2002 (R2016)
- BARRIER DESIGNED TO MEET NCC 2016 BCA BARRIER REQUIREMENTS TO PREVENT FALLS
- AS PER AS/NZS 1428.1:2009 HANDRAIL TO BE UNBROKEN & CONTINUOUS WITHOUT HAND OBSTRUCTION AND TERMINATION MUST EXTEND 300MM PARALLEL TO SURFACE BELOW
- PREFERRED COLD GALVANISING TREATMENT FOR IN-SITU WELDS, CUT ENDS OR OTHER BARE STEEL TO BE IN ACCORDANCE WITH AS/NZS 4680:2006 CLAUSE 8 REPAIR PROCEDURE.
- PROTECTION TREATMENT AND PAINT SYSTEMS TO BE IN ACCORDANCE WITH CLIENT REQUIREMENTS.
- ALL CONCRETE TO BE GRADE N25 OR AS CLIENT SPECIFIED.
- POSTS INSTALLED IN EXISTING CONCRETE TO BE GROUTED INTO Ø90mm HOLE WITH 1:3 CEMENT MORTAR BY VOLUME AFTER THEY HAVE BEEN CAREFULLY ALIGNED.
- THESE FENCES ARE INTENDED AS A PEDESTRIAN BARRIER AND ARE NOT TO BE USED IN SITUATIONS WHERE MOTOR VEHICLES REQUIRE RESTRAINT.

1	HR TERMINATION AND SECTIONS REVISED	03/08/21	AJM
0	ISSUED FOR PUBLICATION	28/01/21	MDG
REV	DESCRIPTION	DATE	DRAWN

<p>PROJECTION DO NOT SCALE</p>	DRAWN: MDG DRAWN DATE: 28JAN21 APPROVED: MT APPROVED DATE: 28JAN21	CLIENT: WEBFORGE PRODUCT: MONOWILLS DISABILITY BALUSTRADE C/W KICKPLATE ASSEMBLY DRAWING NUMBER: MWDS-EX-001	SHEET: 1 OF 1 REV: 1	
	ALL DIMENSIONS IN mm U.N.O.			<p>A valmont COMPANY</p>

DRAWING DISCLAIMER:
WEBFORGE PROVIDES THE INFORMATION CONTAINED IN THIS DRAWING AS A GUIDE FOR YOUR INFORMATION ONLY. WEBFORGE HAS TAKEN REASONABLE CARE TO ENSURE THE ACCURACY OF THE INFORMATION AT THE TIME OF PRODUCTION. WEBFORGE EXPRESSLY DISCLAIMS ALL LIABILITY WHATSOEVER FOR (INCLUDING ANY DIRECT OR INDIRECT LOSS OR DAMAGE, COSTS OR EXPENSES HOWSOEVER INCURRED BY ANY PERSON) RELIANCE ON THE WHOLE OR ANY PART OF THE INFORMATION CONTAINED IN OR OMITTED FROM THIS DRAWING. WEBFORGE RESERVES THE RIGHT TO MAKE TECHNICAL CHANGES WITHOUT NOTICE.