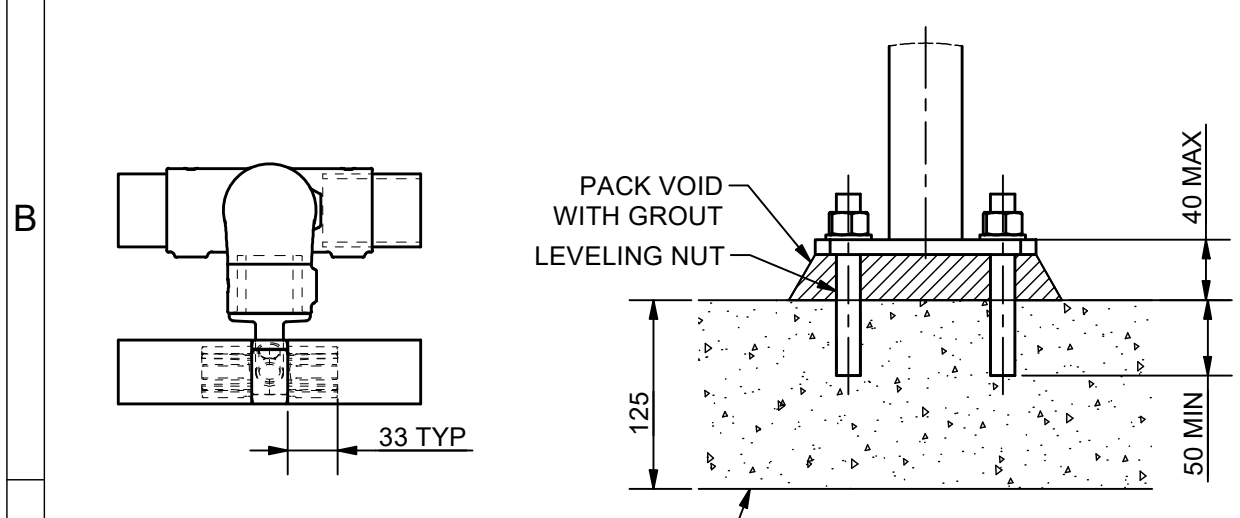
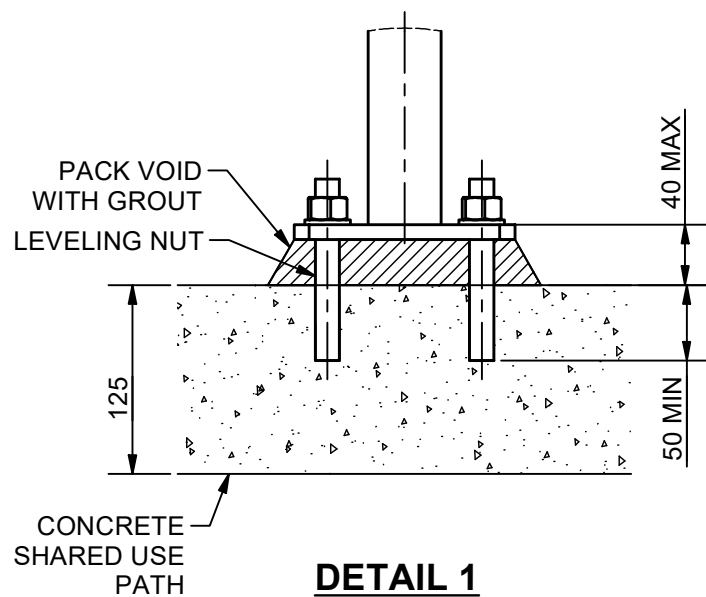


**ELEVATION VIEW**

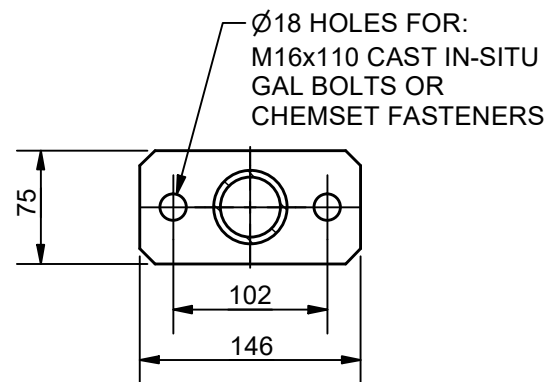
**SECTION A-A**



**SECTION C-C**  
(TYPICAL BALUSTRADE AND HAND RAIL CONNECTION DETAIL)



**DETAIL 1**  
(KICK PLATE NOT SHOWN FOR CLARITY)



**SECTION D-D**  
(TYPICAL BASE PLATE DETAIL FOR PLATFORM AND SIDE STANCHIONS)  
(KICK PLATE NOT SHOWN FOR CLARITY)

**NOTES:**

1. CUSTOMER TO NOMINATE PREFERRED FOOTING / FIXING (IN GROUND, PLATFORM, SIDE MOUNT).
2. CUSTOMER TO NOMINATE PREFERRED BARRIER SIZE - 32NB STANDARD SYSTEM OR 40NB HEAVY SYSTEM.
3. ALL POSTS TO BE 40NB (48.3 OD, 3.2 THICK) GALVANISED STEEL TUBE.
4. ALL HORIZONTAL RAILS TO BE ROLLED TO MATCH SHAPE OF PATH IF RADIUS IS LESS THAN 14m.
5. BARRIER DESIGNED TO MEET FUNCTIONAL REQUIREMENTS OF AS/NZS 1428.1:2009 - DESIGN FOR ACCESS AND MOBILITY
6. STANDARD MONOWILLS LINK DISABILITY 2 RAIL DESIGNED TO MEET BARRIER TYPE C3 AS/NZS 1170.1:2002 (R2016)
7. AS PER AS/NZS 1428.1:2009 HANDRAIL TO BE UNBROKEN & CONTINUOUS WITHOUT HAND OBSTRUCTION AND TERMINATION MUST EXTEND 300MM PARALLEL TO SURFACE BELOW
8. PREFERRED COLD GALVANISING TREATMENT FOR IN-SITU WELDS, CUT ENDS OR OTHER BARE STEEL TO BE IN ACCORDANCE WITH AS/NZS 4680:2006 CLAUSE 8 REPAIR PROCEDURE.
9. PROTECTION TREATMENT AND PAINT SYSTEMS TO BE IN ACCORDANCE WITH CLIENT REQUIREMENTS.
10. ALL CONCRETE TO BE GRADE N25 OR AS CLIENT SPECIFIED.
11. POSTS INSTALLED IN EXISTING CONCRETE TO BE GROUTED INTO Ø90mm HOLE WITH 1:3 CEMENT MORTAR BY VOLUME AFTER THEY HAVE BEEN CAREFULLY ALIGNED.
12. THESE FENCES ARE INTENDED AS A PEDESTRIAN BARRIER AND ARE NOT TO BE USED IN SITUATIONS WHERE MOTOR VEHICLES REQUIRE RESTRAINT.

0	ISSUED FOR PUBLICATION		05FEB21	MDG
REV	DESCRIPTION		DATE	DRAWN
 PROJECTION DO NOT SCALE	DRAWN	MDG	CLIENT WEBFORGE PRODUCT <b>MONOWILLS LINK</b> <b>DISABILITY 2 RAIL</b> ASSEMBLY	
	DRAWN DATE	14OCT20		
	APPROVED	MT		
	APPROVED DATE	14OCT20		
 A valmont COMPANY		DRAWING NUMBER	SHEET	REV
ALL DIMENSIONS IN mm U.N.O.		LKDS-EX-003	1 OF 1	0

**DRAWING DISCLAIMER:**  
WEBFORGE PROVIDES THE INFORMATION CONTAINED IN THIS DRAWING AS A GUIDE FOR YOUR INFORMATION ONLY. WEBFORGE HAS TAKEN REASONABLE CARE TO ENSURE THE ACCURACY OF THE INFORMATION AT THE TIME OF PRODUCTION. WEBFORGE EXPRESSLY DISCLAIMS ALL LIABILITY WHATSOEVER FOR (INCLUDING ANY DIRECT OR INDIRECT LOSS OR DAMAGE, COSTS OR EXPENSES HOWSOEVER INCURRED BY ANY PERSON) RELIANCE ON THE WHOLE OR ANY PART OF THE INFORMATION CONTAINED IN OR OMITTED FROM THIS DRAWING. WEBFORGE RESERVES THE RIGHT TO MAKE TECHNICAL CHANGES WITHOUT NOTICE.

