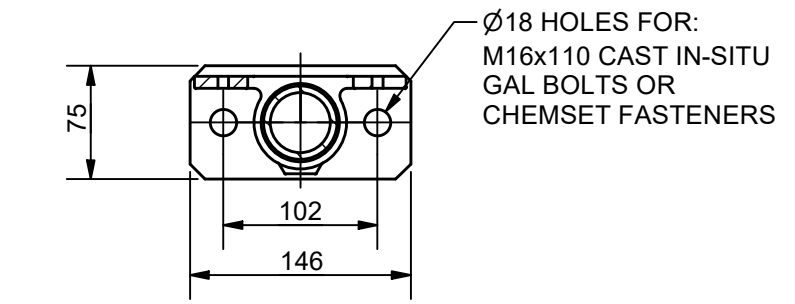
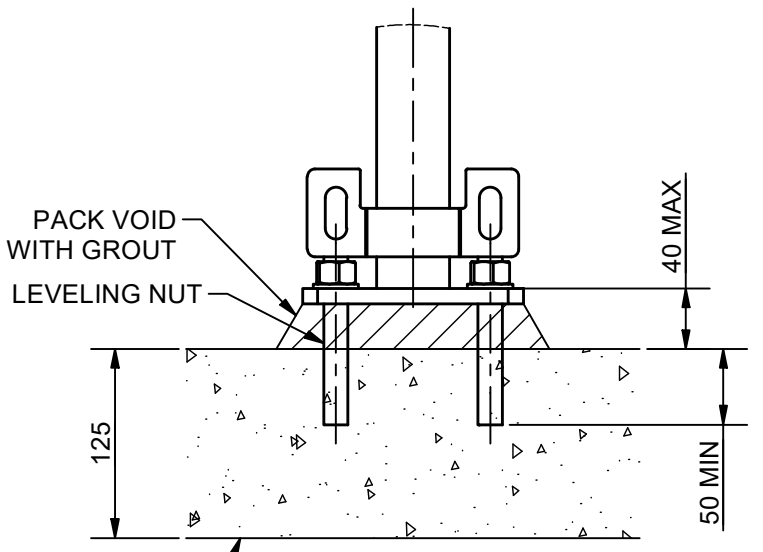


SECTION B-B



SECTION C-C
(TYPICAL BASE PLATE DETAIL FOR PLATFORM AND SIDE STANCHIONS) (KICK PLATE NOT SHOWN FOR CLARITY)

ELEVATION VIEW



DETAIL 1
(KICKPLATE NOT SHOWN FOR CLARITY)

SECTION A-A

NOTES:

- CUSTOMER TO NOMINATE PREFERRED FOOTING / FIXING (IN GROUND, PLATFORM & SIDE MOUNT).
- CUSTOMER TO NOMINATE PREFERRED BARRIER SIZE - 32NB STANDARD SYSTEM OR 40NB HEAVY SYSTEM.
- ALL POSTS TO BE 40NB (48.3 OD, 3.2 THICK) GALVANISED STEEL TUBE.
- ALL HORIZONTAL RAILS TO BE ROLLED TO MATCH SHAPE OF PATH IF RADIUS IS LESS THAN 14m.
- BARRIER DESIGNED TO MEET FUNCTIONAL REQUIREMENTS OF AS/NZS 1428.1:2009 - DESIGN FOR ACCESS AND MOBILITY
- STANDARD MONOWILLS LINK DISABILITY 2 RAIL DESIGNED TO MEET BARRIER TYPE C3 AS/NZS 1170.1:2002 (R2016)
- AS PER AS/NZS 1428.1:2009 HANDRAIL TO BE UNBROKEN & CONTINUOUS WITHOUT HAND OBSTRUCTION AND TERMINATION MUST EXTEND 300MM PARALLEL TO SURFACE BELOW
- PREFERRED COLD GALVANISING TREATMENT FOR IN-SITU WELDS, CUT ENDS OR OTHER BARE STEEL TO BE IN ACCORDANCE WITH AS/NZS 4680:2006 CLAUSE 8 REPAIR PROCEDURE.
- PROTECTION TREATMENT AND PAINT SYSTEMS TO BE IN ACCORDANCE WITH CLIENT REQUIREMENTS.
- ALL CONCRETE TO BE GRADE N25 OR AS CLIENT SPECIFIED.
- POSTS INSTALLED IN EXISTING BRIDGE/CULVERT CONCRETE TO BE GROUTED INTO Ø90mm HOLE WITH 1:3 CEMENT MORTAR BY VOLUME AFTER THEY HAVE BEEN CAREFULLY ALIGNED.
- THESE FENCES ARE INTENDED AS A PEDESTRIAN BARRIER AND ARE NOT TO BE USED IN SITUATIONS WHERE MOTOR VEHICLES REQUIRE RESTRAINT.

1	HR TERMINATION AND SECTION LETTERS REVISED	30/07/21	AJM
0	ISSUED FOR PUBLICATION	05/02/21	MDG
REV	DESCRIPTION	DATE	DRAWN

 PROJECTION DO NOT SCALE ALL DIMENSIONS IN mm U.N.O.	DRAWN	MDG	CLIENT WEBFORGE PRODUCT MONOWILLS LINK DISABILITY 2 RAIL C/W KICK PLATE ASSEMBLY
	DRAWN DATE	02DEC20	
	APPROVED	MT	
	APPROVED DATE	02DEC20	
	 A valmont COMPANY		DRAWING NUMBER LKDS-EX-002
			SHEET 1 OF 1
			REV 1

DRAWING DISCLAIMER:
WEBFORGE PROVIDES THE INFORMATION CONTAINED IN THIS DRAWING AS A GUIDE FOR YOUR INFORMATION ONLY. WEBFORGE HAS TAKEN REASONABLE CARE TO ENSURE THE ACCURACY OF THE INFORMATION AT THE TIME OF PRODUCTION. WEBFORGE EXPRESSLY DISCLAIMS ALL LIABILITY WHATSOEVER FOR (INCLUDING ANY DIRECT OR INDIRECT LOSS OR DAMAGE, COSTS OR EXPENSES HOWSOEVER INCURRED BY ANY PERSON) RELIANCE ON THE WHOLE OR ANY PART OF THE INFORMATION CONTAINED IN OR OMITTED FROM THIS DRAWING. WEBFORGE RESERVES THE RIGHT TO MAKE TECHNICAL CHANGES WITHOUT NOTICE.

