

Technical Data Sheet

WFA-003

March 2020

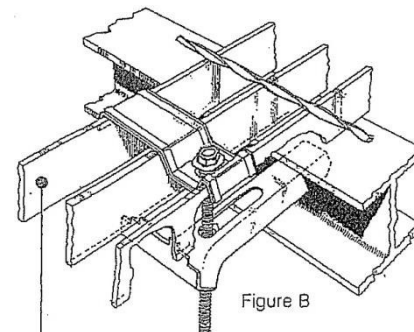
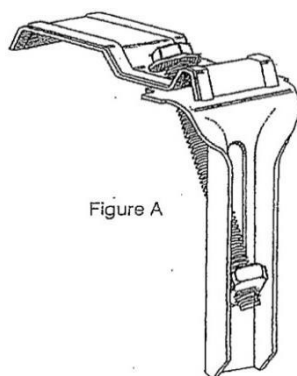
Webforge Fasteners Fixing Instruction

The Webforge fastener has been designed to secure all types of Webforge grating to supporting steelwork.

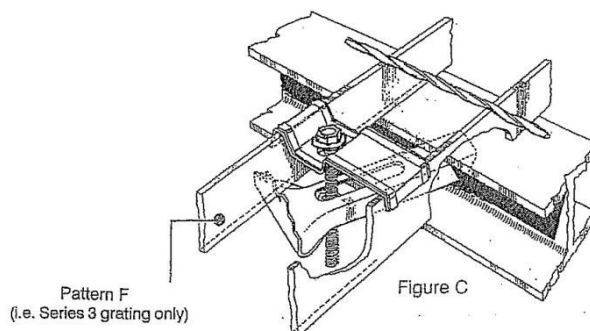
This can be done quickly and safely by one man working from the floor surface.

Installation

1. First assemble the fastener as shown in Figure A.
2. Pass the bottom component between load bars allowing the top component to sit in position over the load bars.
3. Locate the bottom component under the flange of the supporting beam.
4. Lift the top component until the nut locates in the bottom clip and the shoulders of the bottom clip engage with the load bars. (Note: Figure C for pattern F (Series 3) grating engages one load bar)
5. Tighten the bolt until the top and bottom components secure the grating to the supporting beam as shown in Figure B and Figure C (nom. Torque 6Nm).



Pattern A to D
(i.e. Series 1 or Series 2 grating)



Pattern F
(i.e. Series 3 grating only)