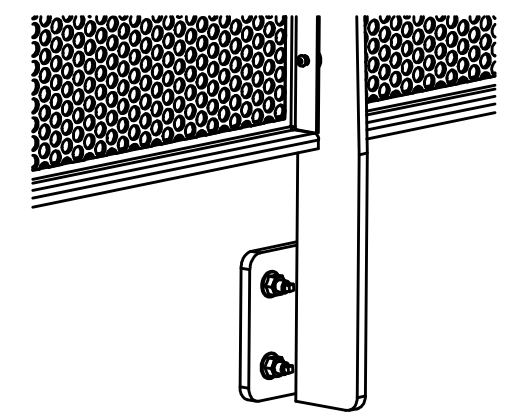
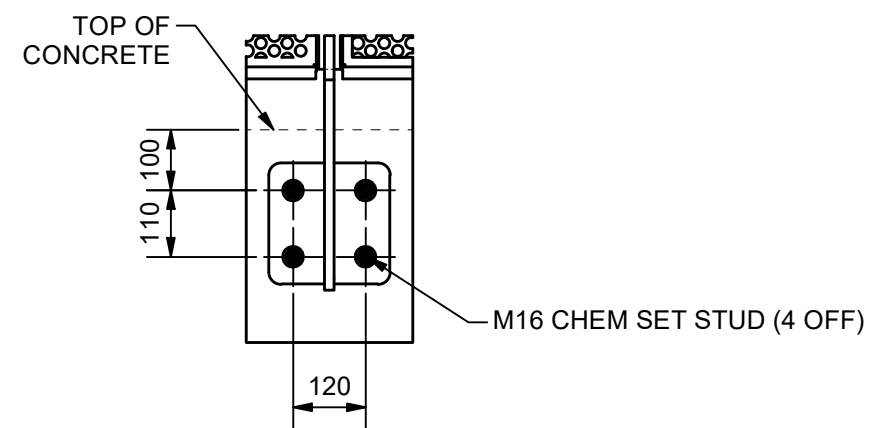
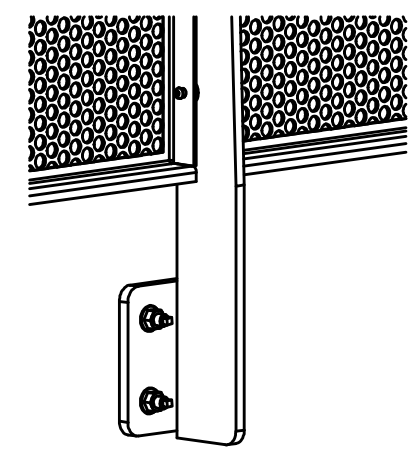
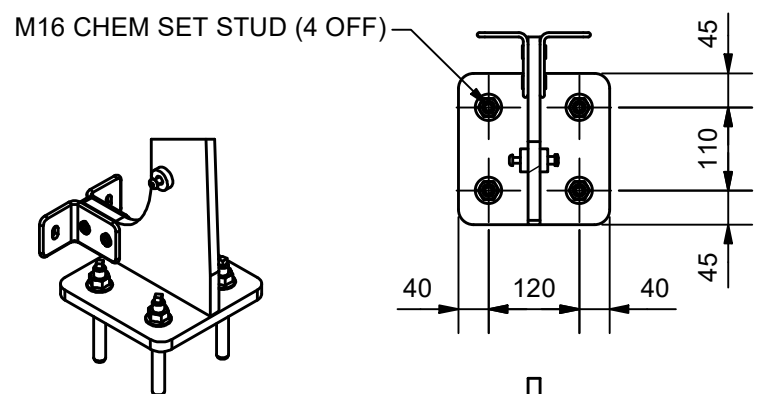


**ALTERNATIVE WEBFORGE AS5100 TOP MOUNT CONFIGURATION**

**TYPICAL WEBFORGE AS5100 SIDE MOUNT CONFIGURATION**



**STD. WEBFORGE AS5100 TOP MOUNT (SHOWN C/W KICKPLATE)**

**STD. WEBFORGE AS5100 SIDE MOUNT**

**STD. WEBFORGE AS5100 SIDE MOUNT (SHOWN C/W KICKPLATE)**

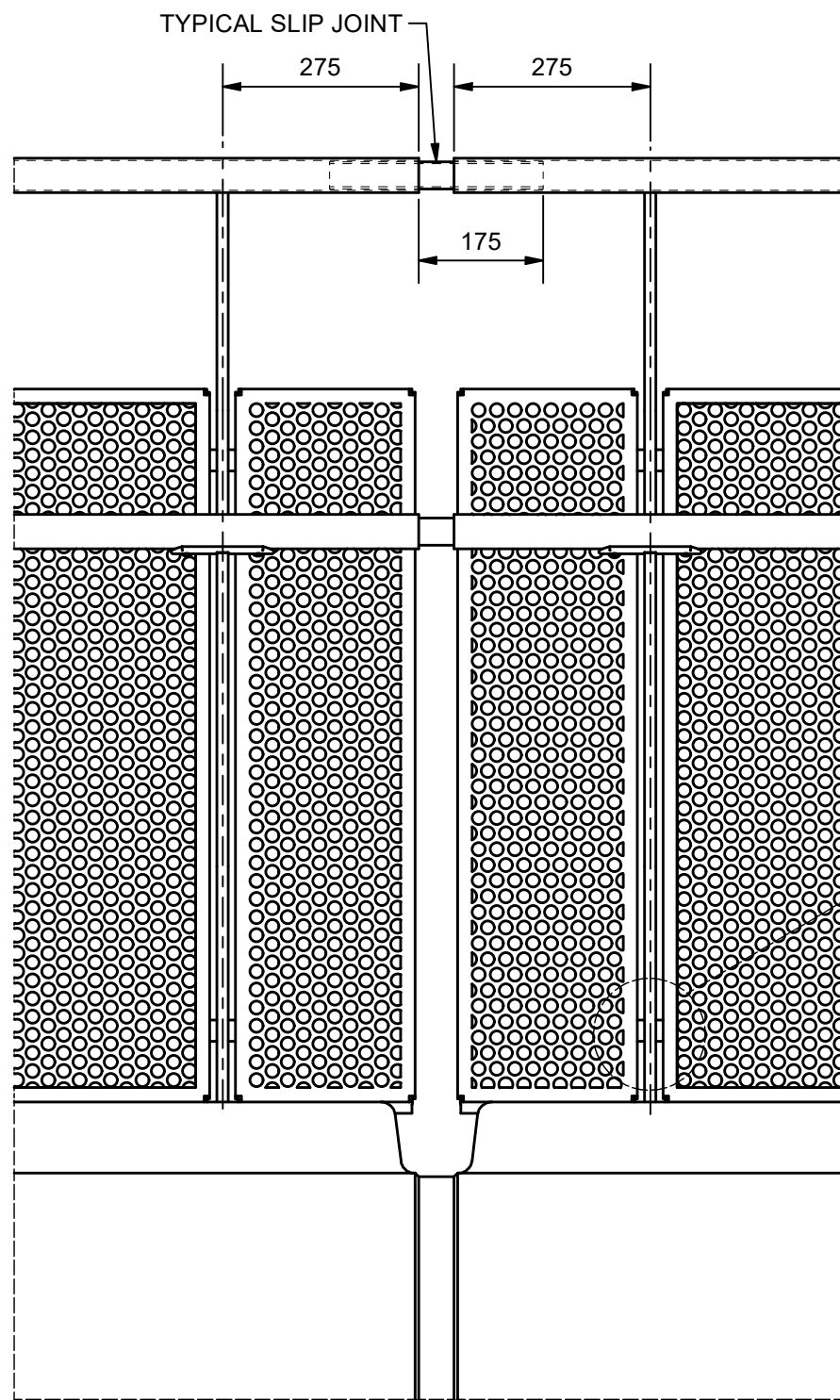
**NOTES:**

1. MONOWILLS LINK AS5100 BARRIER IS DESIGNED TO MEET THE STATIC LOAD & DEFLECTION REQUIREMENTS OF PEDESTRIAN BARRIERS AS/NZS 5100.2-2017 CLAUSE 11.5, WHEN MANUFACTURED IN ACCORDANCE TO WEBFORGE MANUFACTURING PROCEDURE.
2. WHERE THE AUTHORITY REQUIRES PEDESTRIAN BARRIERS TO RESTRAIN CROWDS OR PEOPLE UNDER PANIC CONDITIONS, THE MONOWILLS LINK AS5100 BARRIER CAN BE ADJUSTED TO MEET HIGHER LOADS UNDER WEBFORGE INSTRUCTION.
3. MONOWILLS LINK AS5100 BARRIER IS DESIGNED TO MEET THE DIMENSIONAL AND FUNCTIONAL REQUIREMENTS OF THE FOLLOWING STANDARDS WHEN SPECIFIED:
  - a. VELOCITY RAIL - AS PER SHARED PATH RECOMMENDATIONS PUBLISHED IN AUSTRROADS - GUIDE TO ROAD DESIGN PART 6A
  - b. BALUSTRADE - AS PER DIMENSIONAL REQUIREMENTS FOR ANTI-CLIMB AND FALL FROM HEIGHT PROTECTION IN NCC VOLUME 2
  - c. HANDRAIL - AS PER DIMENSIONAL REQUIREMENTS INCLUDING FUNCTIONAL CLEAR HAND ACCESS AS OUTLINED IN AS/NZS 1428.1-2009
4. MONOWILLS LINK AS5100 BARRIER IS SUPPLIED IN HDG MILD STEEL. VELOCITY PIPE, HANDRAIL PIPE & KICKPLATE CAN BE UPGRADED TO STAINLESS STEEL ON REQUEST.
5. CUSTOMER TO NOMINATE PREFERRED FOOTING / FIXING (PLATFORM MOUNT / SIDE MOUNT)
6. PROTECTION TREATMENT AND PAINT SYSTEMS TO BE IN ACCORDANCE WITH CLIENT REQUIREMENTS

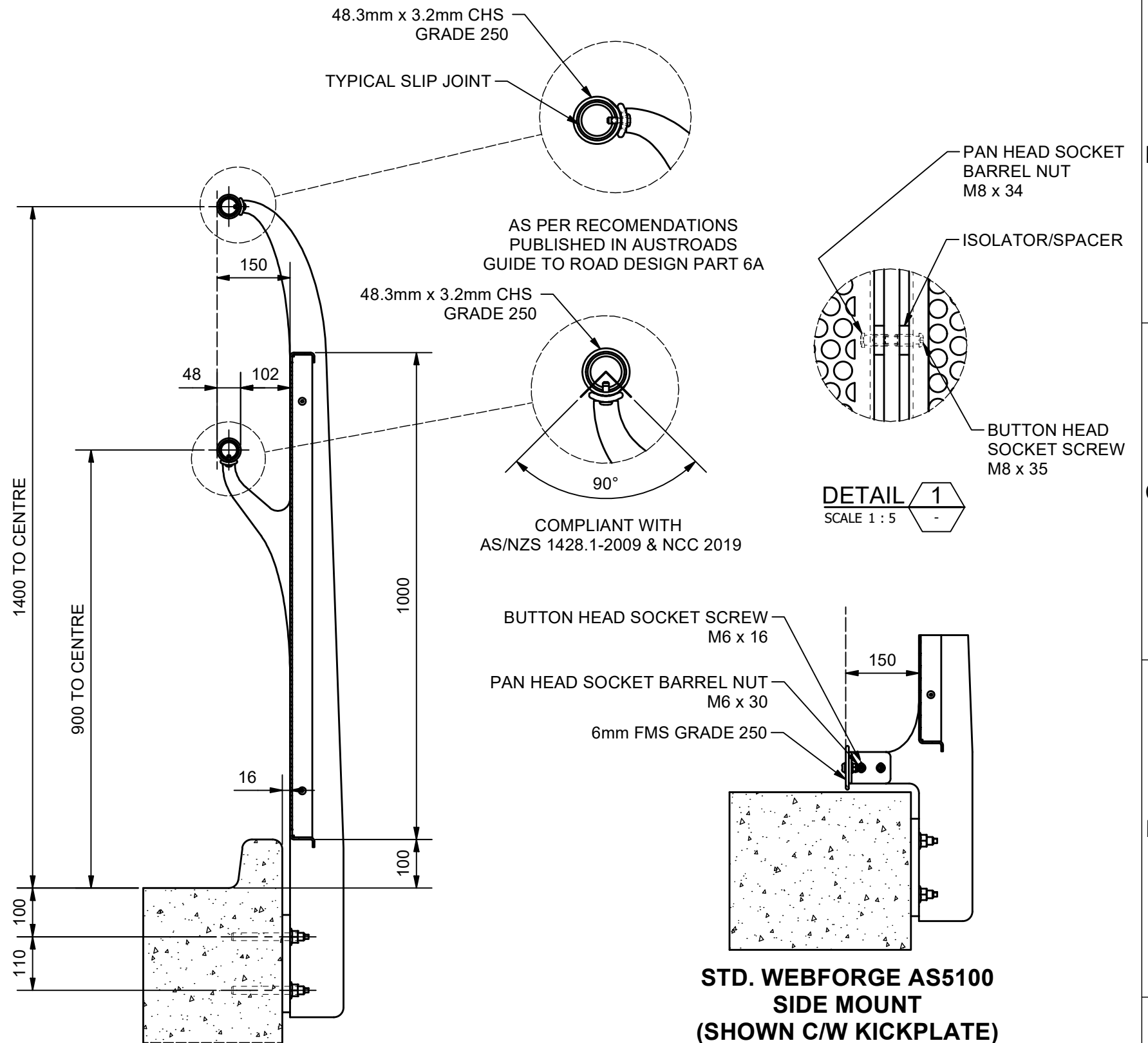
**DRAWING DISCLAIMER:**  
 WEBFORGE PROVIDES THE INFORMATION CONTAINED IN THIS DRAWING AS A GUIDE FOR YOUR INFORMATION ONLY. WEBFORGE HAS TAKEN REASONABLE CARE TO ENSURE THE ACCURACY OF THE INFORMATION AT THE TIME OF PRODUCTION. WEBFORGE EXPRESSLY DISCLAIMS ALL LIABILITY WHATSOEVER FOR (INCLUDING ANY DIRECT OR INDIRECT LOSS OR DAMAGE, COSTS OR EXPENSES HOWSOEVER INCURRED BY ANY PERSON) RELIANCE ON THE WHOLE OR ANY PART OF THE INFORMATION CONTAINED IN OR OMITTED FROM THIS DRAWING. WEBFORGE RESERVES THE RIGHT TO MAKE TECHNICAL CHANGES WITHOUT NOTICE.



0	ISSUED FOR PUBLICATION		14OCT20	MDG
REV	DESCRIPTION		DATE	DRAWN
 PROJECTION DO NOT SCALE	DRAWN	MDG	CLIENT WEBFORGE	
	DRAWN DATE	14OCT20	PRODUCT MONOWILLS LINK AS5100 BARRIER	
	APPROVED	MT	VELOCITY C/W HANDRAIL (PERF INFILL)	
	APPROVED DATE	14OCT20	ASSEMBLY	
ALL DIMENSIONS IN mm U.N.O.			DRAWING NUMBER	SHEET
	A valmont COMPANY		BRVL-EX-004	1 OF 2
				REV 0



TYPICAL EXPANSION JOINT



STD. WEBFORGE AS5100  
SIDE MOUNT  
(SHOWN C/W KICKPLATE)

**DRAWING DISCLAIMER:**  
WEBFORGE PROVIDES THE INFORMATION CONTAINED IN THIS DRAWING AS A GUIDE FOR YOUR INFORMATION ONLY. WEBFORGE HAS TAKEN REASONABLE CARE TO ENSURE THE ACCURACY OF THE INFORMATION AT THE TIME OF PRODUCTION. WEBFORGE EXPRESSLY DISCLAIMS ALL LIABILITY WHATSOEVER FOR (INCLUDING ANY DIRECT OR INDIRECT LOSS OR DAMAGE, COSTS OR EXPENSES HOWSOEVER INCURRED BY ANY PERSON) RELIANCE ON THE WHOLE OR ANY PART OF THE INFORMATION CONTAINED IN OR OMITTED FROM THIS DRAWING. WEBFORGE RESERVES THE RIGHT TO MAKE TECHNICAL CHANGES WITHOUT NOTICE.



0	ISSUED FOR PUBLICATION		14OCT20	MDG
REV	DESCRIPTION		DATE	DRAWN
 PROJECTION DO NOT SCALE	DRAWN	MDG	CLIENT WEBFORGE	
	DRAWN DATE	14OCT20	PRODUCT MONOWILLS LINK AS5100 BARRIER	
	APPROVED	MT	VELOCITY C/W HANDRAIL (PERF INFILL)	
	APPROVED DATE	14OCT20	ASSEMBLY	
ALL DIMENSIONS IN mm U.N.O.			DRAWING NUMBER	SHEET
	A valmont COMPANY		BRVL-EX-004	2 OF 2
			REV	0