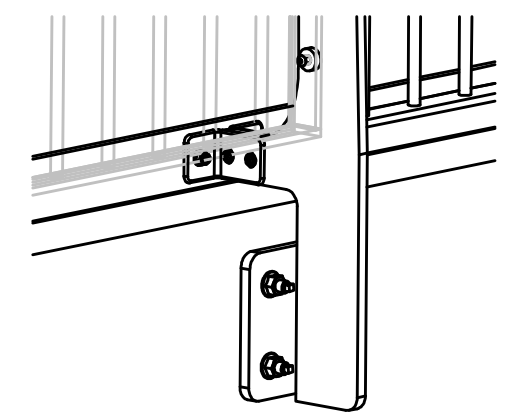
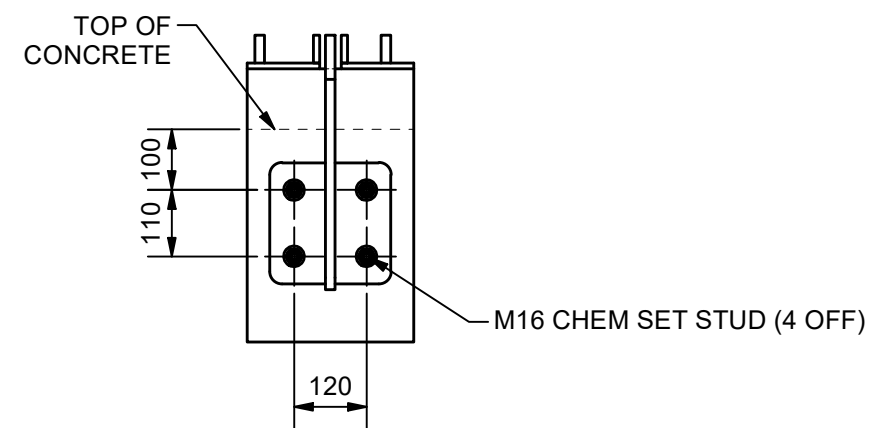
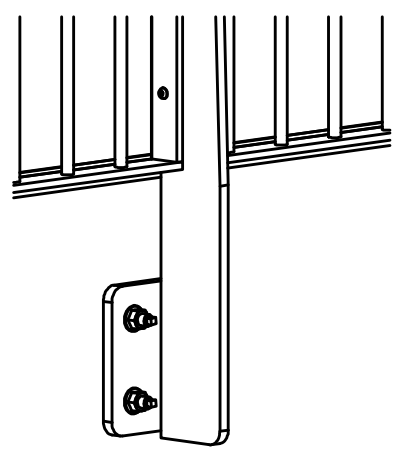
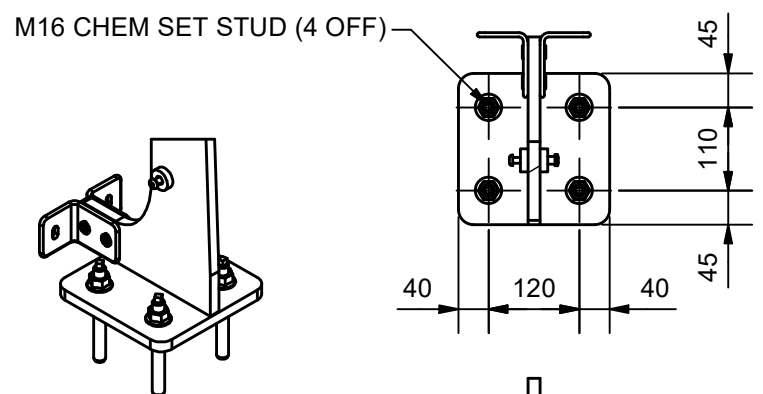


ALTERNATIVE WEBFORGE AS5100 TOP MOUNT CONFIGURATION

TYPICAL WEBFORGE AS5100 SIDE MOUNT CONFIGURATION



STD. WEBFORGE AS5100 TOP MOUNT (SHOWN C/W KICKPLATE)

STD. WEBFORGE AS5100 SIDE MOUNT

STD. WEBFORGE AS5100 SIDE MOUNT (SHOWN C/W KICKPLATE)

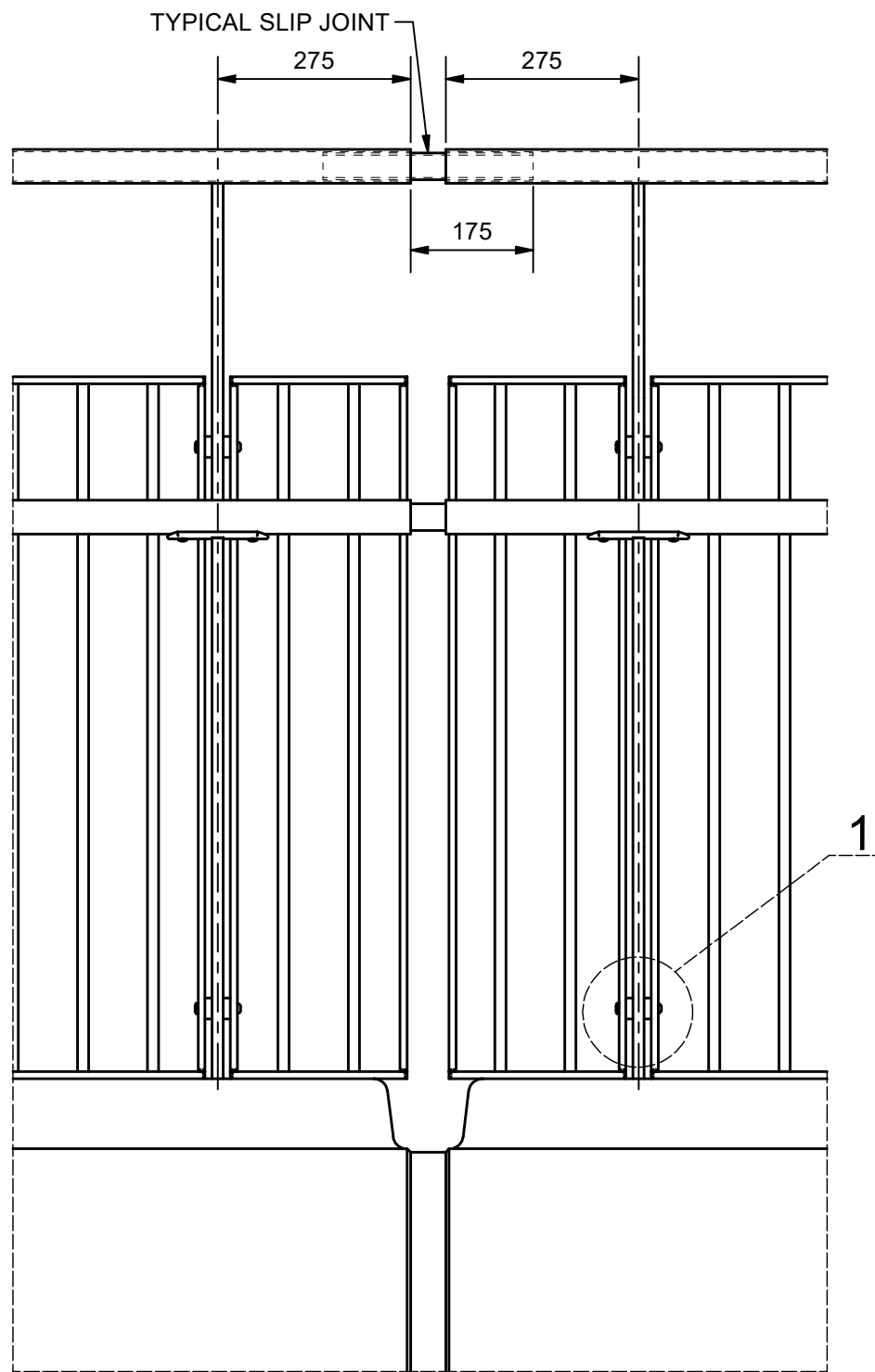
NOTES:

1. MONOWILLS LINK AS5100 BARRIER IS DESIGNED TO MEET THE STATIC LOAD & DEFLECTION REQUIREMENTS OF PEDESTRIAN BARRIERS AS/NZS 5100.2-2017 CLAUSE 12.5, WHEN MANUFACTURED IN ACCORDANCE TO WEBFORGE MANUFACTURING PROCEDURE.
2. WHERE THE AUTHORITY REQUIRES PEDESTRIAN BARRIERS TO RESTRAIN CROWDS OR PEOPLE UNDER PANIC CONDITIONS, THE MONOWILLS LINK AS5100 BARRIER CAN BE ADJUSTED TO MEET HIGHER LOADS UNDER WEBFORGE INSTRUCTION.
3. MONOWILLS LINK AS5100 BARRIER IS DESIGNED TO MEET THE DIMENSIONAL AND FUNCTIONAL REQUIREMENTS OF THE FOLLOWING STANDARDISED WHEN SPECIFIED:
 - a. VELOCITY RAIL - AS PER SHARED PATH RECOMMENDATIONS PUBLISHED IN AUSTRoadS - GUIDE TO ROAD DESIGN PART 6A
 - b. BALUSTRADE - AS PER DIMENSIONAL REQUIREMENTS FOR ANTI-CLIMB AND FALL FROM HEIGHT PROTECTION IN NCC VOLUME 2
 - c. HANDRAIL - AS PER DIMENSIONAL REQUIREMENTS INCLUDING FUNCTIONAL CLEAR HAND ACCESS AS OUTLINED IN AS/NZS 1428.1-2009
4. MONOWILLS LINK AS5100 BARRIER IS SUPPLIED IN HDG MILD STEEL. VELOCITY PIPE, HANDRAIL PIPE & KICKPLATE CAN BE UPGRADED TO STAINLESS STEEL ON REQUEST.
5. CUSTOMER TO NOMINATE PREFERRED FOOTING / FIXING (PLATFORM MOUNT / SIDE MOUNT)
6. PROTECTION TREATMENT AND PAINT SYSTEMS TO BE IN ACCORDANCE WITH CLIENT REQUIREMENTS

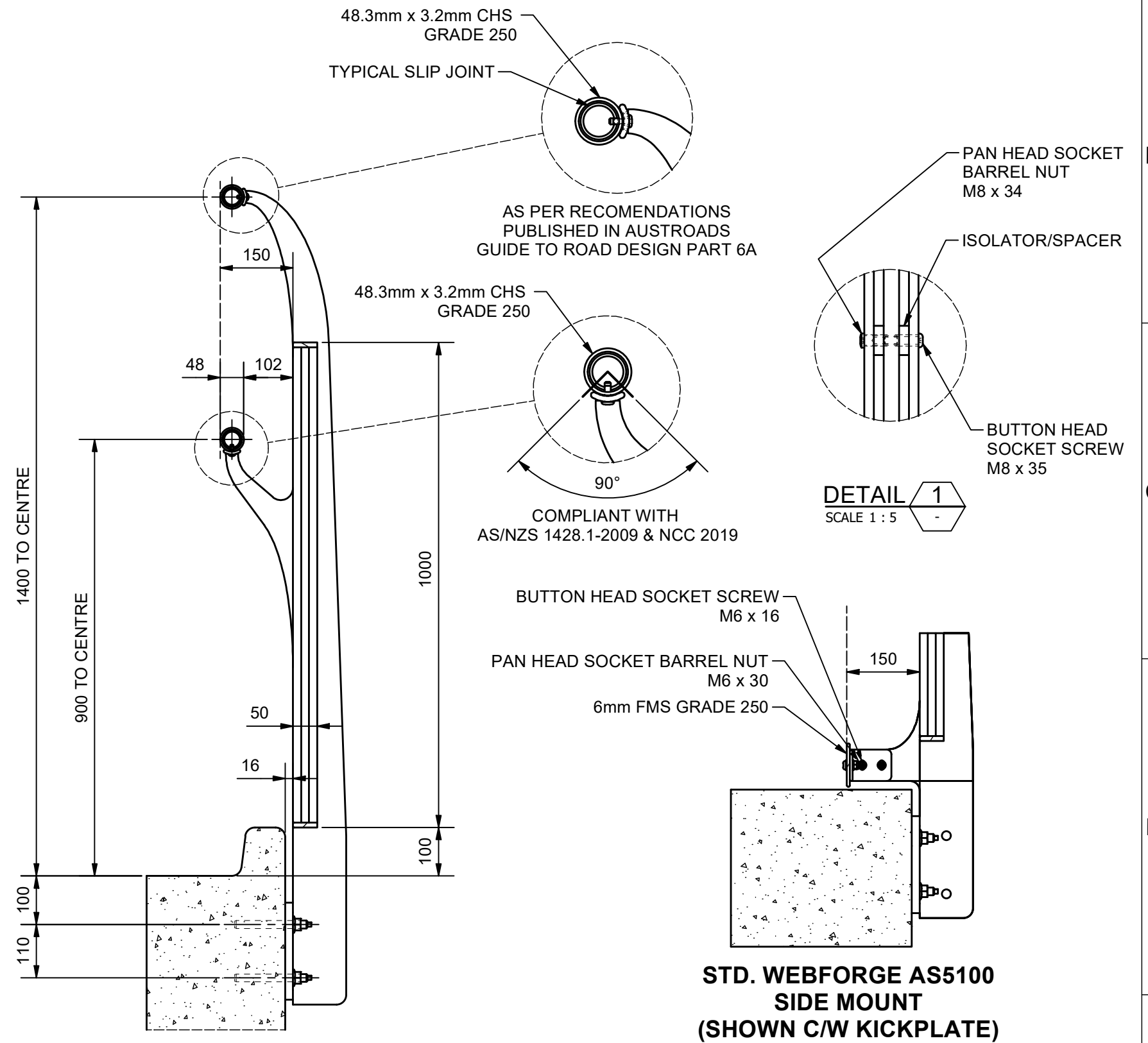
DRAWING DISCLAIMER:
 WEBFORGE PROVIDES THE INFORMATION CONTAINED IN THIS DRAWING AS A GUIDE FOR YOUR INFORMATION ONLY. WEBFORGE HAS TAKEN REASONABLE CARE TO ENSURE THE ACCURACY OF THE INFORMATION AT THE TIME OF PRODUCTION. WEBFORGE EXPRESSLY DISCLAIMS ALL LIABILITY WHATSOEVER FOR (INCLUDING ANY DIRECT OR INDIRECT LOSS OR DAMAGE, COSTS OR EXPENSES HOWSOEVER INCURRED BY ANY PERSON) RELIANCE ON THE WHOLE OR ANY PART OF THE INFORMATION CONTAINED IN OR OMITTED FROM THIS DRAWING. WEBFORGE RESERVES THE RIGHT TO MAKE TECHNICAL CHANGES WITHOUT NOTICE.



1	NOTE 1 REVISED	17/06/21	AJM
0	ISSUED FOR PUBLICATION	26/11/20	AJM
REV	DESCRIPTION	DATE	DRAWN
 DO NOT SCALE ALL DIMENSIONS IN mm U.N.O.	DRAWN	MDG	CLIENT WEBFORGE PRODUCT MONOWILLS LINK AS5100 BARRIER VELOCITY C/W HANDRAIL ASSEMBLY DRAWING NUMBER BRVL-EX-002
	DRAWN DATE	24SEP20	
	APPROVED	MT	
	APPROVED DATE	24SEP20	
 A valmont COMPANY		SHEET	REV
		1 OF 2	1



TYPICAL EXPANSION JOINT



**STD. WEBFORGE AS5100
SIDE MOUNT
(SHOWN C/W KICKPLATE)**

1	NOTE 1 REVISED	17/06/21	AJM
0	ISSUED FOR PUBLICATION	26/11/20	AJM
REV	DESCRIPTION	DATE	DRAWN
 PROJECTION DO NOT SCALE ALL DIMENSIONS IN mm U.N.O.	DRAWN	MDG	CLIENT WEBFORGE PRODUCT MONOWILLS LINK AS5100 BARRIER VELOCITY C/W HANDRAIL ASSEMBLY
	DRAWN DATE	24SEP20	
	APPROVED	MT	
	APPROVED DATE	24SEP20	
 A valmont COMPANY		DRAWING NUMBER	SHEET
		BRVL-EX-002	2 OF 2
			REV
			1

DRAWING DISCLAIMER:
WEBFORGE PROVIDES THE INFORMATION CONTAINED IN THIS DRAWING AS A GUIDE FOR YOUR INFORMATION ONLY. WEBFORGE HAS TAKEN REASONABLE CARE TO ENSURE THE ACCURACY OF THE INFORMATION AT THE TIME OF PRODUCTION. WEBFORGE EXPRESSLY DISCLAIMS ALL LIABILITY WHATSOEVER FOR (INCLUDING ANY DIRECT OR INDIRECT LOSS OR DAMAGE, COSTS OR EXPENSES HOWSOEVER INCURRED BY ANY PERSON) RELIANCE ON THE WHOLE OR ANY PART OF THE INFORMATION CONTAINED IN OR OMITTED FROM THIS DRAWING. WEBFORGE RESERVES THE RIGHT TO MAKE TECHNICAL CHANGES WITHOUT NOTICE.

