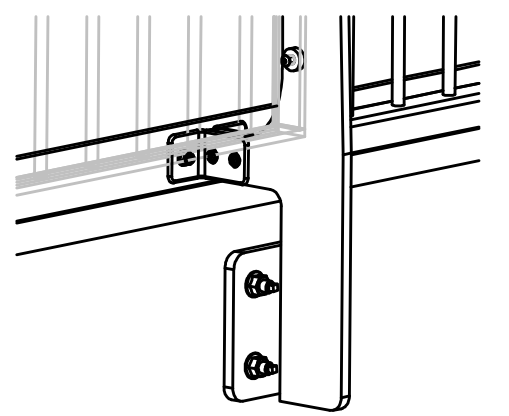
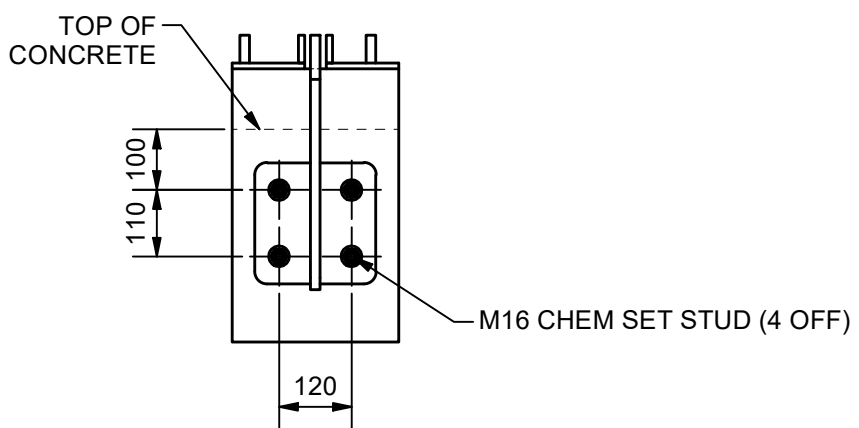
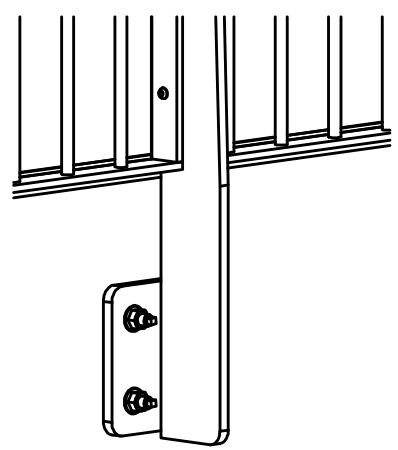
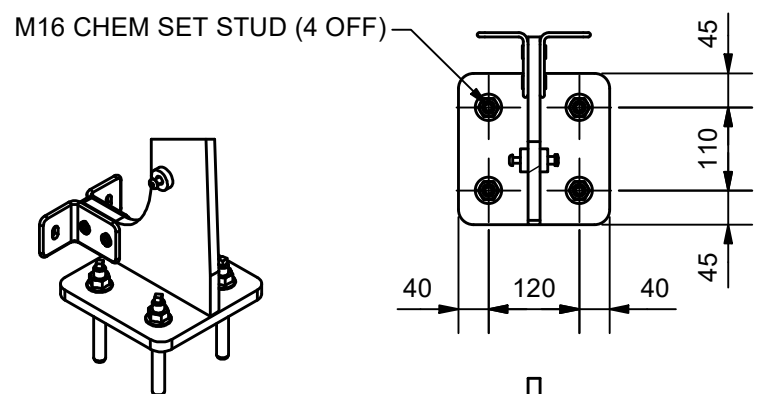


**ALTERNATIVE WEBFORGE AS5100 TOP MOUNT CONFIGURATION**

**TYPICAL WEBFORGE AS5100 SIDE MOUNT CONFIGURATION**



**STD. WEBFORGE AS5100 TOP MOUNT (SHOWN C/W KICKPLATE)**

**STD. WEBFORGE AS5100 SIDE MOUNT**

**STD. WEBFORGE AS5100 SIDE MOUNT (SHOWN C/W KICKPLATE)**

**NOTES:**

1. MONOWILLS LINK AS5100 BARRIER IS DESIGNED TO MEET THE STATIC LOAD & DEFLECTION REQUIREMENTS OF PEDESTRIAN BARRIERS AS/NZS 5100.2-2017 CLAUSE 12.5, WHEN MANUFACTURED IN ACCORDANCE TO WEBFORGE MANUFACTURING PROCEDURE.
2. WHERE THE AUTHORITY REQUIRES PEDESTRIAN BARRIERS TO RESTRAIN CROWDS OR PEOPLE UNDER PANIC CONDITIONS, THE MONOWILLS LINK AS5100 BARRIER CAN BE ADJUSTED TO MEET HIGHER LOADS UNDER WEBFORGE INSTRUCTION.
3. MONOWILLS LINK AS5100 BARRIER IS DESIGNED TO MEET THE DIMENSIONAL AND FUNCTIONAL REQUIREMENTS OF THE FOLLOWING STANDARDS WHEN SPECIFIED:
  - a. VELOCITY RAIL - AS PER SHARED PATH RECOMMENDATIONS PUBLISHED IN AUSTRADS - GUIDE TO ROAD DESIGN PART 6A
  - b. BALUSTRADE - AS PER DIMENSIONAL REQUIREMENTS FOR ANTI-CLIMB AND FALL FROM HEIGHT PROTECTION IN NCC VOLUME 2
  - c. HANDRAIL - AS PER DIMENSIONAL REQUIREMENTS INCLUDING FUNCTIONAL CLEAR HAND ACCESS AS OUTLINED IN AS/NZS 1428.1-2009
4. MONOWILLS LINK AS5100 BARRIER IS SUPPLIED IN HDG MILD STEEL. VELOCITY PIPE, HANDRAIL PIPE & KICKPLATE CAN BE UPGRADED TO STAINLESS STEEL ON REQUEST.
5. CUSTOMER TO NOMINATE PREFERRED FOOTING / FIXING (PLATFORM MOUNT / SIDE MOUNT)
6. PROTECTION TREATMENT AND PAINT SYSTEMS TO BE IN ACCORDANCE WITH CLIENT REQUIREMENTS

**DRAWING DISCLAIMER:**  
 WEBFORGE PROVIDES THE INFORMATION CONTAINED IN THIS DRAWING AS A GUIDE FOR YOUR INFORMATION ONLY. WEBFORGE HAS TAKEN REASONABLE CARE TO ENSURE THE ACCURACY OF THE INFORMATION AT THE TIME OF PRODUCTION. WEBFORGE EXPRESSLY DISCLAIMS ALL LIABILITY WHATSOEVER FOR (INCLUDING ANY DIRECT OR INDIRECT LOSS OR DAMAGE, COSTS OR EXPENSES HOWSOEVER INCURRED BY ANY PERSON) RELIANCE ON THE WHOLE OR ANY PART OF THE INFORMATION CONTAINED IN OR OMITTED FROM THIS DRAWING. WEBFORGE RESERVES THE RIGHT TO MAKE TECHNICAL CHANGES WITHOUT NOTICE.



1	NOTE 1 REVISED	17/06/21	AJM
0	ISSUED FOR PUBLICATION	26/11/20	AJM
REV	DESCRIPTION	DATE	DRAWN
 PROJECTION DO NOT SCALE	DRAWN	LBA	CLIENT WEBFORGE PRODUCT <b>MONOWILLS LINK AS5100 BARRIER</b> VELOCITY ASSEMBLY DRAWING NUMBER BRVL-EX-001
	DRAWN DATE	02OCT20	
	APPROVED	MT	
	APPROVED DATE	02OCT20	
	 A valmont COMPANY	SHEET	REV
		1 OF 2	1

6

5

4

3

2

1

D

C

B

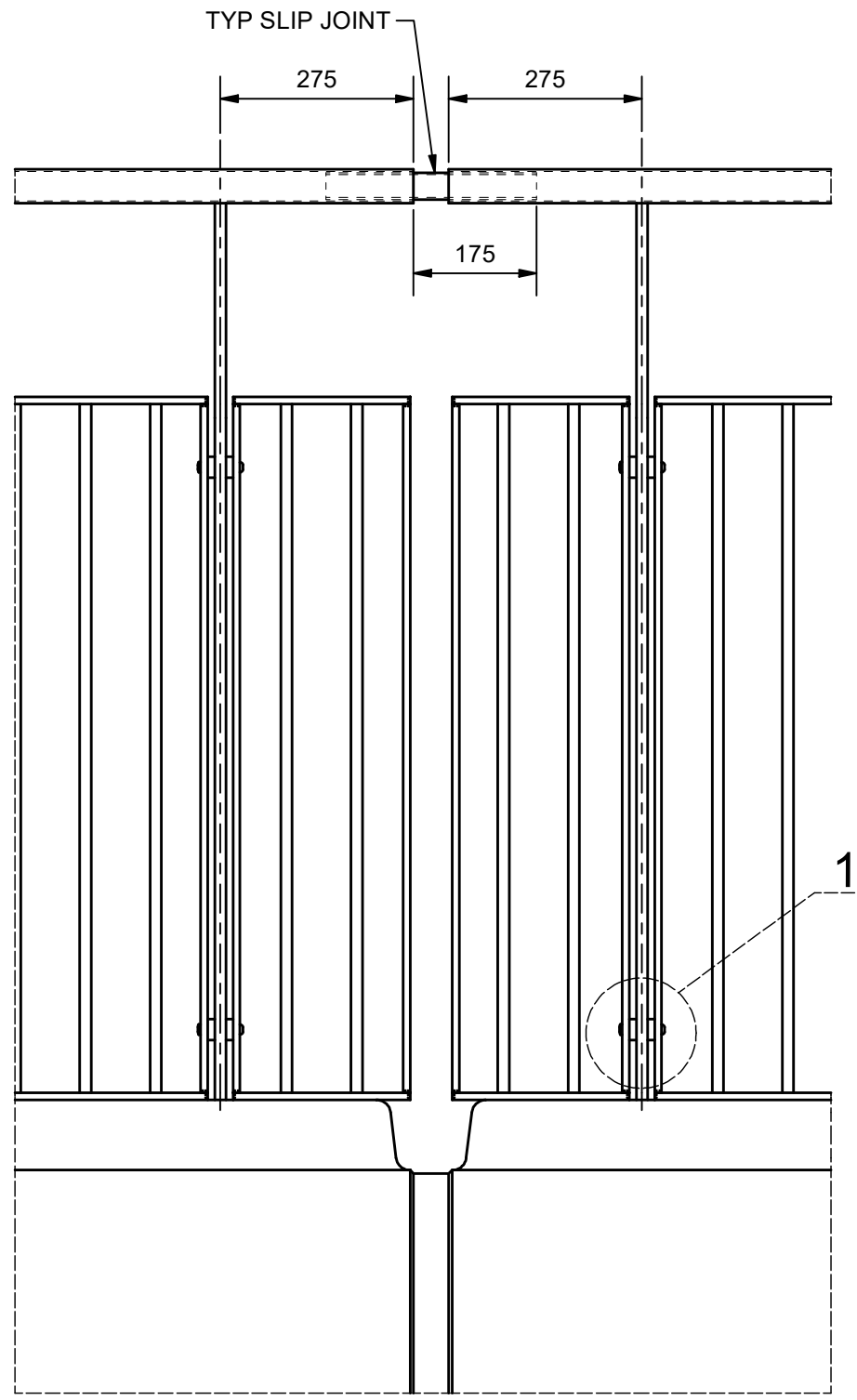
A

D

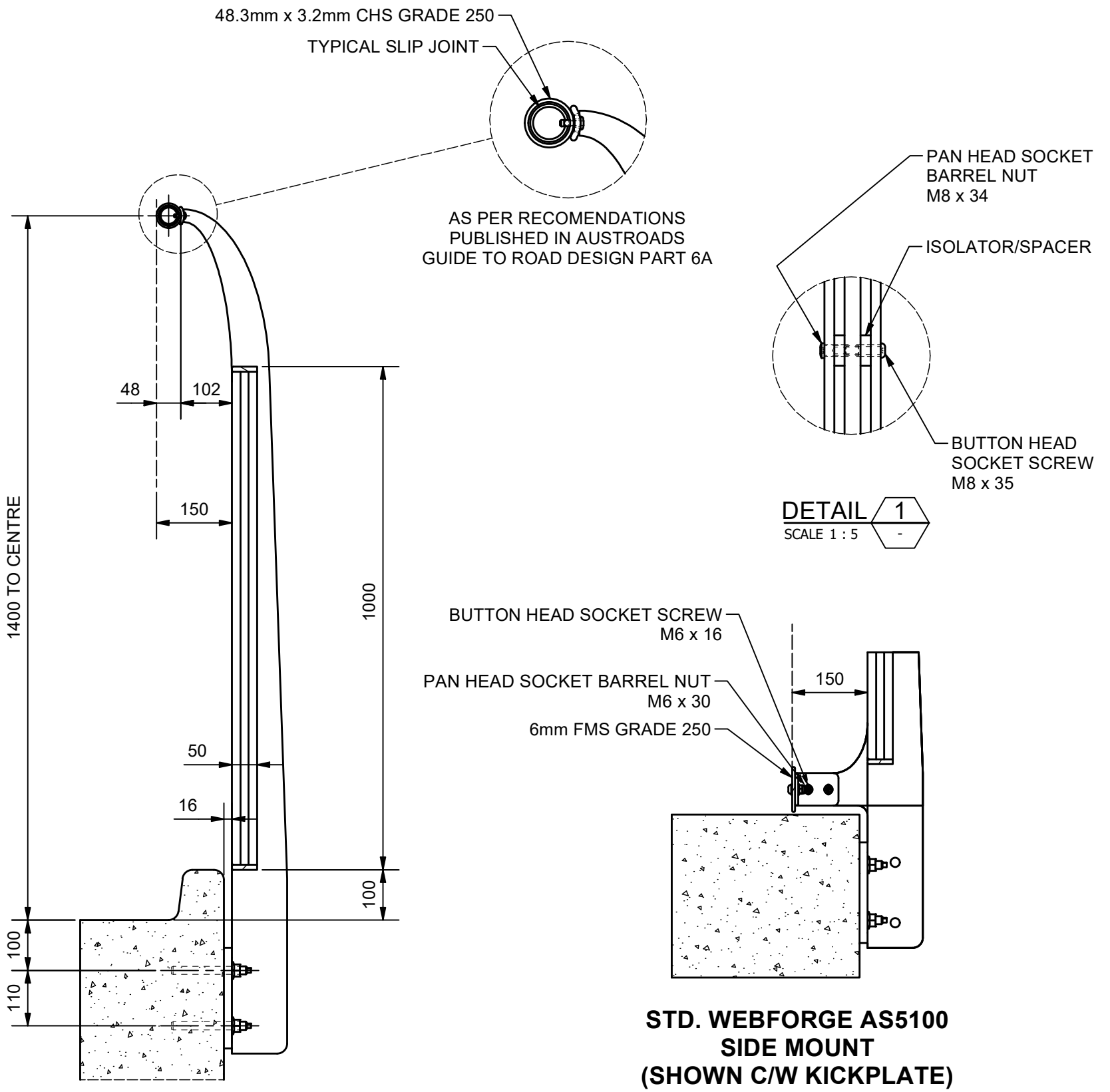
C

B

A



TYPICAL EXPANSION JOINT



STD. WEBFORGE AS5100 SIDE MOUNT (SHOWN C/W KICKPLATE)

1	NOTE 1 REVISED	17/06/21	AJM
0	ISSUED FOR PUBLICATION	26/11/20	AJM
REV	DESCRIPTION	DATE	DRAWN
 PROJECTION DO NOT SCALE	DRAWN	LBA	CLIENT WEBFORGE PRODUCT <b>MONOWILLS LINK AS5100 BARRIER VELOCITY ASSEMBLY</b> DRAWING NUMBER BRVL-EX-001
	DRAWN DATE	02OCT20	
	APPROVED	MT	
	APPROVED DATE	02OCT20	
 A valmont COMPANY		SHEET	REV
ALL DIMENSIONS IN mm U.N.O.		2 OF 2	1

**DRAWING DISCLAIMER:**  
 WEBFORGE PROVIDES THE INFORMATION CONTAINED IN THIS DRAWING AS A GUIDE FOR YOUR INFORMATION ONLY. WEBFORGE HAS TAKEN REASONABLE CARE TO ENSURE THE ACCURACY OF THE INFORMATION AT THE TIME OF PRODUCTION. WEBFORGE EXPRESSLY DISCLAIMS ALL LIABILITY WHATSOEVER FOR (INCLUDING ANY DIRECT OR INDIRECT LOSS OR DAMAGE, COSTS OR EXPENSES HOWSOEVER INCURRED BY ANY PERSON) RELIANCE ON THE WHOLE OR ANY PART OF THE INFORMATION CONTAINED IN OR OMITTED FROM THIS DRAWING. WEBFORGE RESERVES THE RIGHT TO MAKE TECHNICAL CHANGES WITHOUT NOTICE.



6

5

4

3

2

1