

6

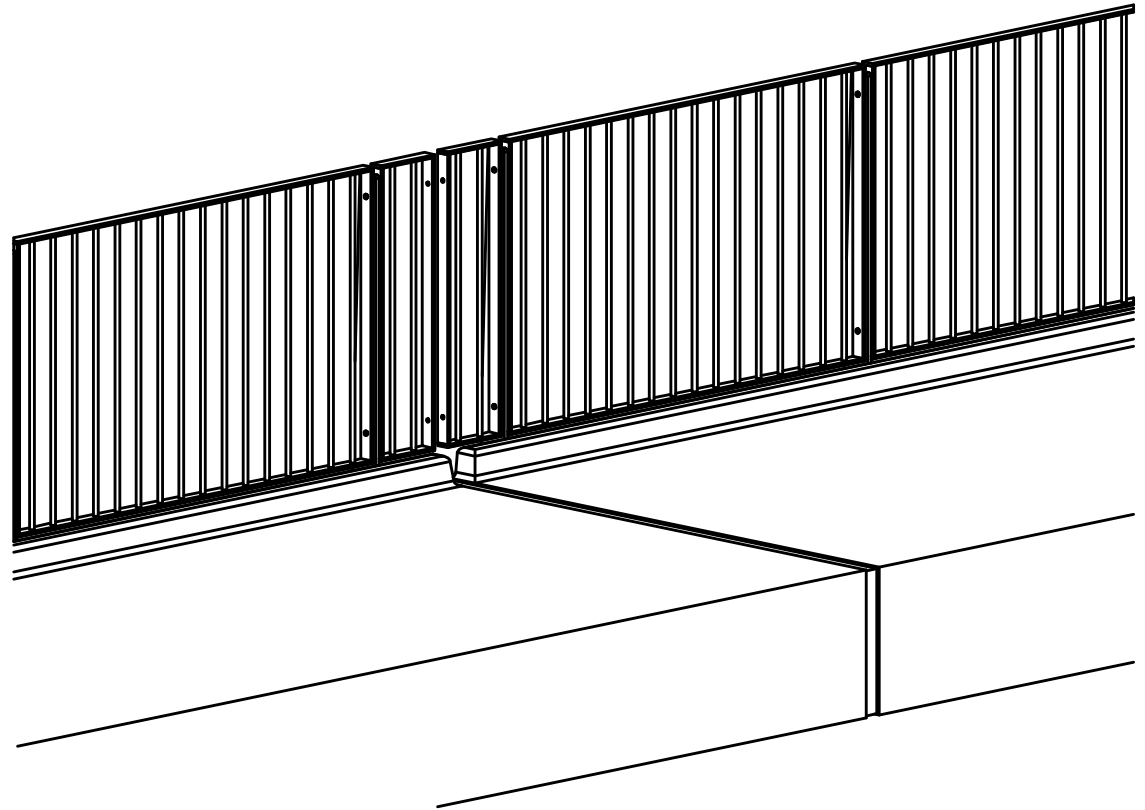
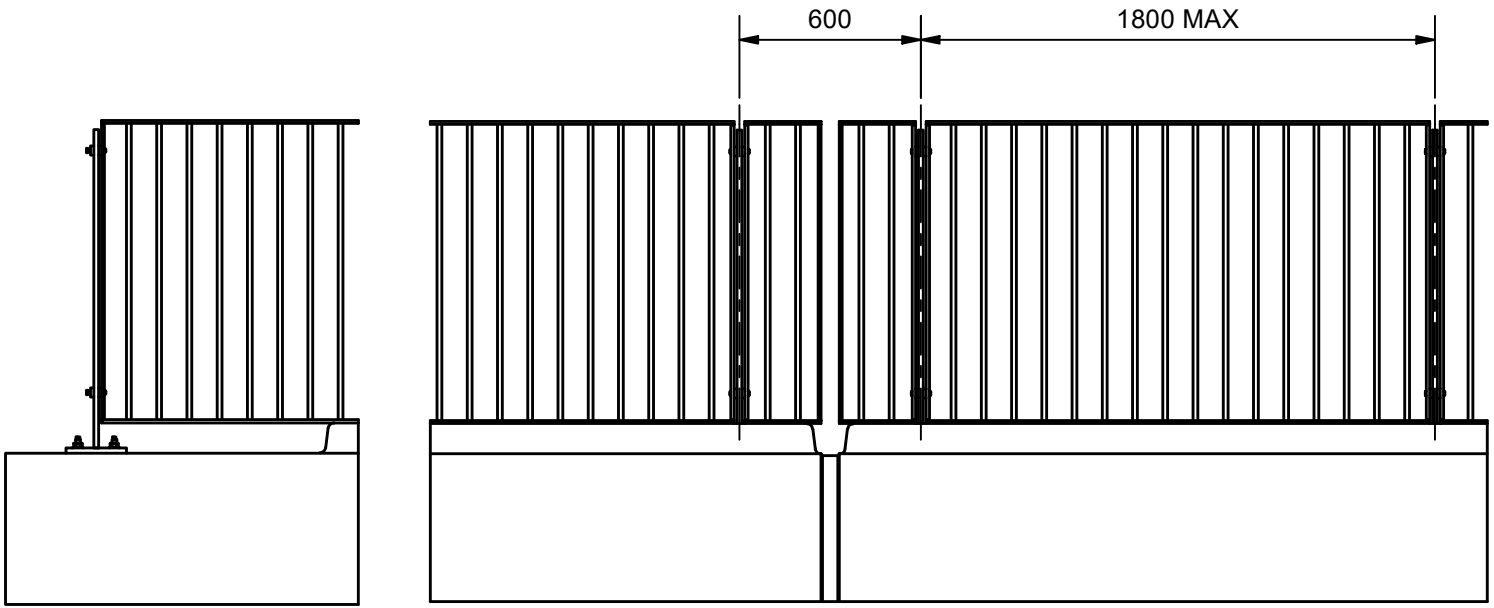
5

4

3

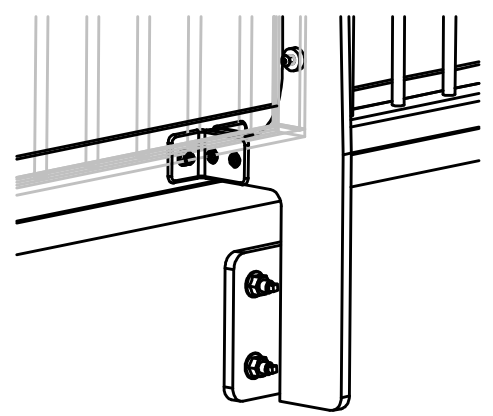
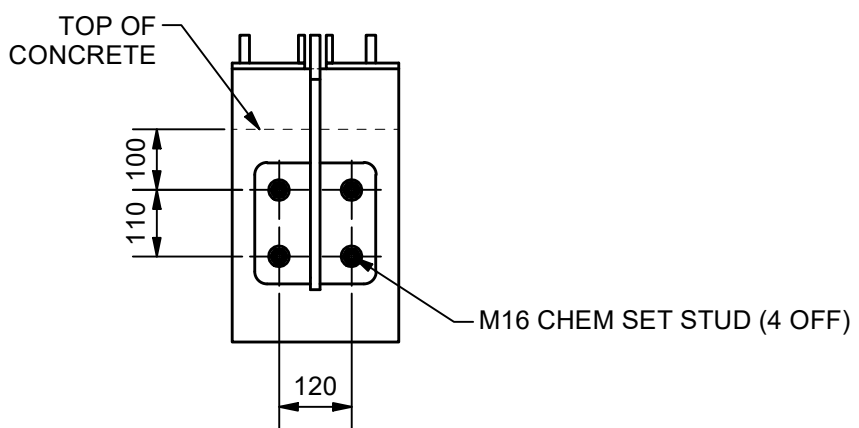
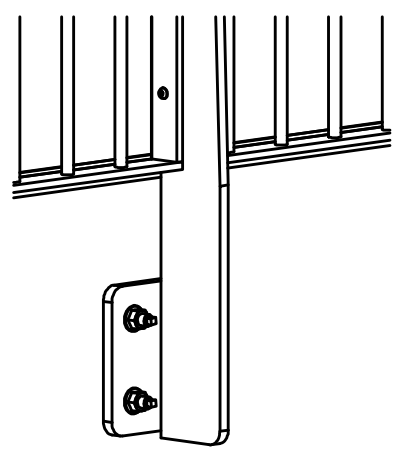
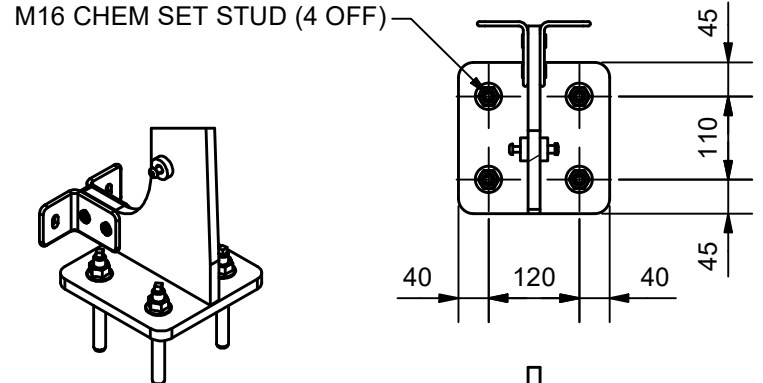
2

1



ALTERNATIVE WEBFORGE AS5100 TOP MOUNT CONFIGURATION

TYPICAL WEBFORGE AS5100 SIDE MOUNT CONFIGURATION



STD. WEBFORGE AS5100 TOP MOUNT (SHOWN C/W KICKPLATE)

STD. WEBFORGE AS5100 SIDE MOUNT

STD. WEBFORGE AS5100 SIDE MOUNT (SHOWN C/W KICKPLATE)

NOTES:

1. MONOWILLS LINK AS5100 BARRIER IS DESIGNED TO MEET THE STATIC LOAD & DEFLECTION REQUIREMENTS OF PEDESTRIAN BARRIERS AS/NZS 5100.2-2017 CLAUSE 12.5, WHEN MANUFACTURED IN ACCORDANCE TO WEBFORGE MANUFACTURING PROCEDURE.
2. WHERE THE AUTHORITY REQUIRES PEDESTRIAN BARRIERS TO RESTRAIN CROWDS OR PEOPLE UNDER PANIC CONDITIONS, THE MONOWILLS LINK AS5100 BARRIER CAN BE ADJUSTED TO MEET HIGHER LOADS UNDER WEBFORGE INSTRUCTION.
3. MONOWILLS LINK AS5100 BARRIER IS DESIGNED TO MEET THE DIMENSIONAL AND FUNCTIONAL REQUIREMENTS OF THE FOLLOWING STANDARDS WHEN SPECIFIED:
 - a. VELOCITY RAIL - N/A ON THIS CONFIGURATION
 - b. BALUSTRADE - AS PER DIMENSIONAL REQUIREMENTS FOR ANTI-CLIMB AND FALL FROM HEIGHT PROTECTION IN NCC VOLUME 2
 - c. HANDRAIL - N/A ON THIS CONFIGURATION
4. MONOWILLS LINK AS5100 BARRIER IS SUPPLIED IN HDG MILD STEEL. VELOCITY PIPE, HANDRAIL PIPE & KICKPLATE CAN BE UPGRADED TO STAINLESS STEEL ON REQUEST.
5. CUSTOMER TO NOMINATE PREFERRED FOOTING / FIXING (PLATFORM MOUNT / SIDE MOUNT)
6. PROTECTION TREATMENT AND PAINT SYSTEMS TO BE IN ACCORDANCE WITH CLIENT REQUIREMENTS

DRAWING DISCLAIMER:
 WEBFORGE PROVIDES THE INFORMATION CONTAINED IN THIS DRAWING AS A GUIDE FOR YOUR INFORMATION ONLY. WEBFORGE HAS TAKEN REASONABLE CARE TO ENSURE THE ACCURACY OF THE INFORMATION AT THE TIME OF PRODUCTION. WEBFORGE EXPRESSLY DISCLAIMS ALL LIABILITY WHATSOEVER FOR (INCLUDING ANY DIRECT OR INDIRECT LOSS OR DAMAGE, COSTS OR EXPENSES HOWSOEVER INCURRED BY ANY PERSON) RELIANCE ON THE WHOLE OR ANY PART OF THE INFORMATION CONTAINED IN OR OMITTED FROM THIS DRAWING. WEBFORGE RESERVES THE RIGHT TO MAKE TECHNICAL CHANGES WITHOUT NOTICE.



0	ISSUED FOR PUBLICATION	18/06/21	AJM
REV	DESCRIPTION	DATE	DRAWN
 PROJECTION DO NOT SCALE	DRAWN	AJM	CLIENT WEBFORGE PRODUCT MONOWILLS LINK AS5100 BARRIER BALUSTRADE ASSEMBLY
	DRAWN DATE	18JUN21	
	APPROVED	MT	
	APPROVED DATE	18JUN21	
 A valmont COMPANY		DRAWING NUMBER	SHEET REV
		BRBA-EX-003	1 OF 2 0

6

5

4

3

2

1

6

5

4

3

2

1

D

D

C

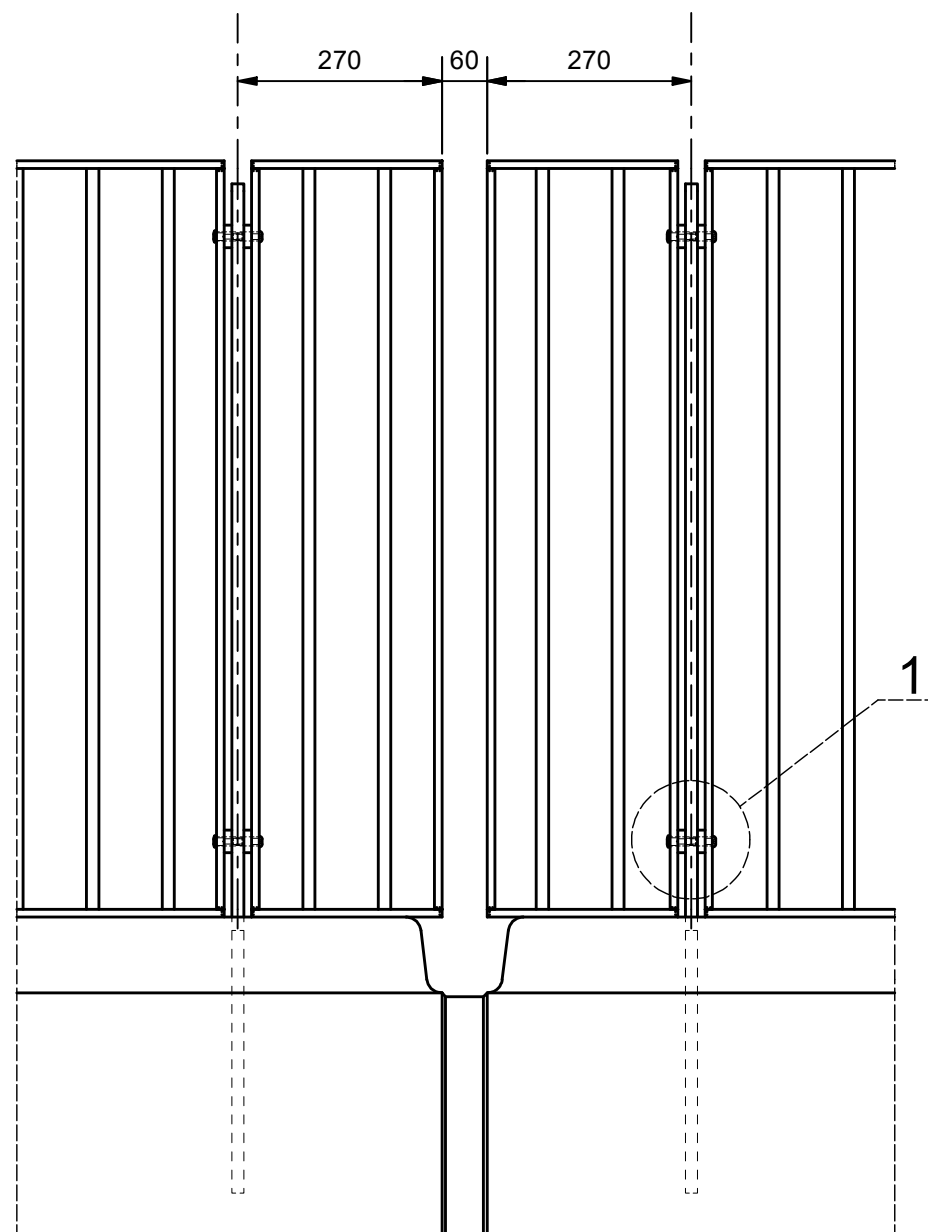
C

B

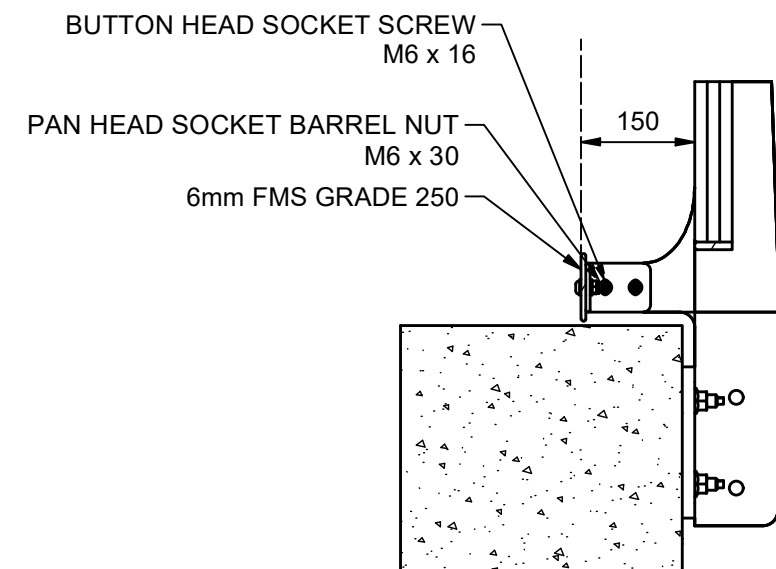
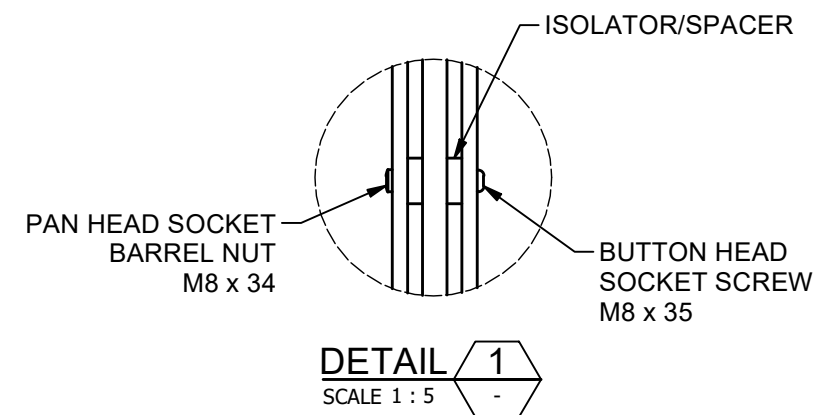
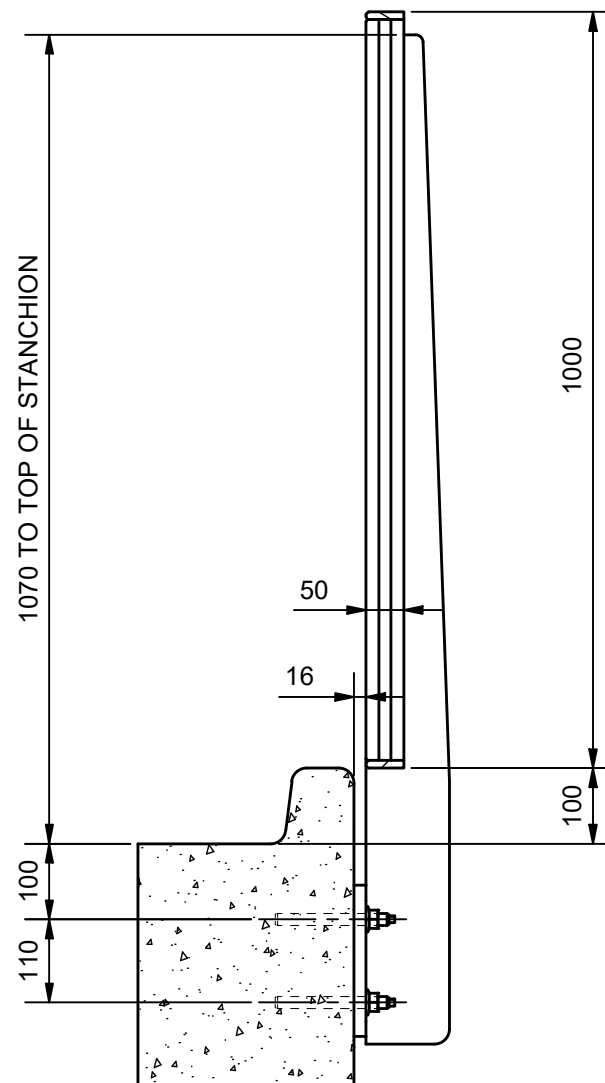
B

A

A



TYPICAL EXPANSION JOINT



STD. WEBFORGE AS5100 SIDE MOUNT (SHOWN C/W KICKPLATE)

DRAWING DISCLAIMER:
 WEBFORGE PROVIDES THE INFORMATION CONTAINED IN THIS DRAWING AS A GUIDE FOR YOUR INFORMATION ONLY. WEBFORGE HAS TAKEN REASONABLE CARE TO ENSURE THE ACCURACY OF THE INFORMATION AT THE TIME OF PRODUCTION. WEBFORGE EXPRESSLY DISCLAIMS ALL LIABILITY WHATSOEVER FOR (INCLUDING ANY DIRECT OR INDIRECT LOSS OR DAMAGE, COSTS OR EXPENSES HOWSOEVER INCURRED BY ANY PERSON) RELIANCE ON THE WHOLE OR ANY PART OF THE INFORMATION CONTAINED IN OR OMITTED FROM THIS DRAWING. WEBFORGE RESERVES THE RIGHT TO MAKE TECHNICAL CHANGES WITHOUT NOTICE.



0	ISSUED FOR PUBLICATION	18/06/21	AJM
REV	DESCRIPTION	DATE	DRAWN
	DRAWN	AJM	
	DRAWN DATE	18JUN21	
	APPROVED	MT	
	APPROVED DATE	18JUN21	
 PROJECTION DO NOT SCALE		CLIENT WEBFORGE PRODUCT MONOWILLS LINK AS5100 BARRIER ASSEMBLY DRAWING NUMBER BRBA-EX-003	
ALL DIMENSIONS IN mm U.N.O. A valmont COMPANY		SHEET	REV
		2 OF 2	0

6

5

4

3

2

1