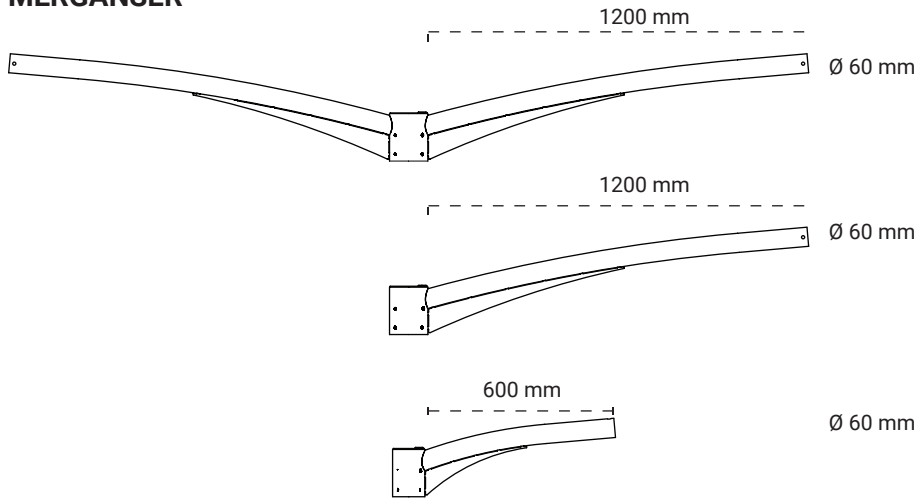
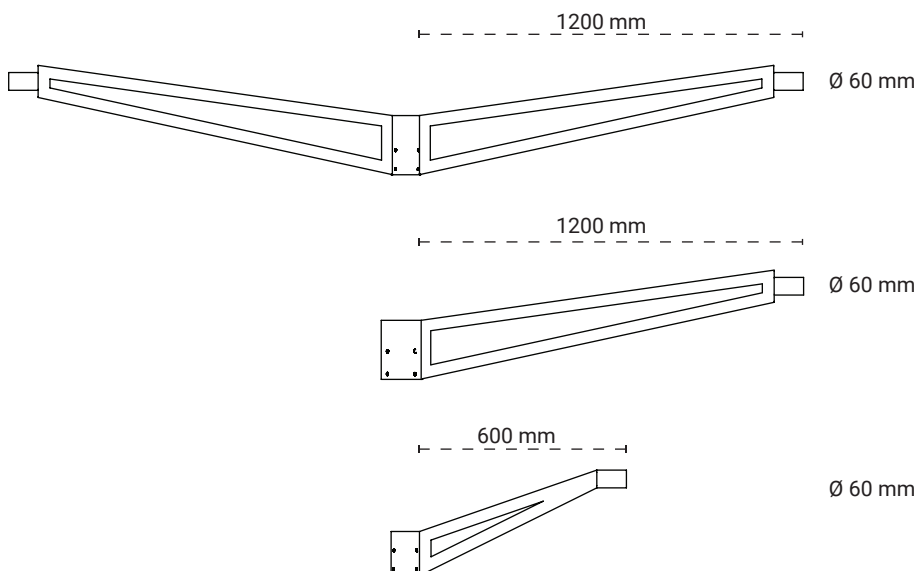


MERGANSER



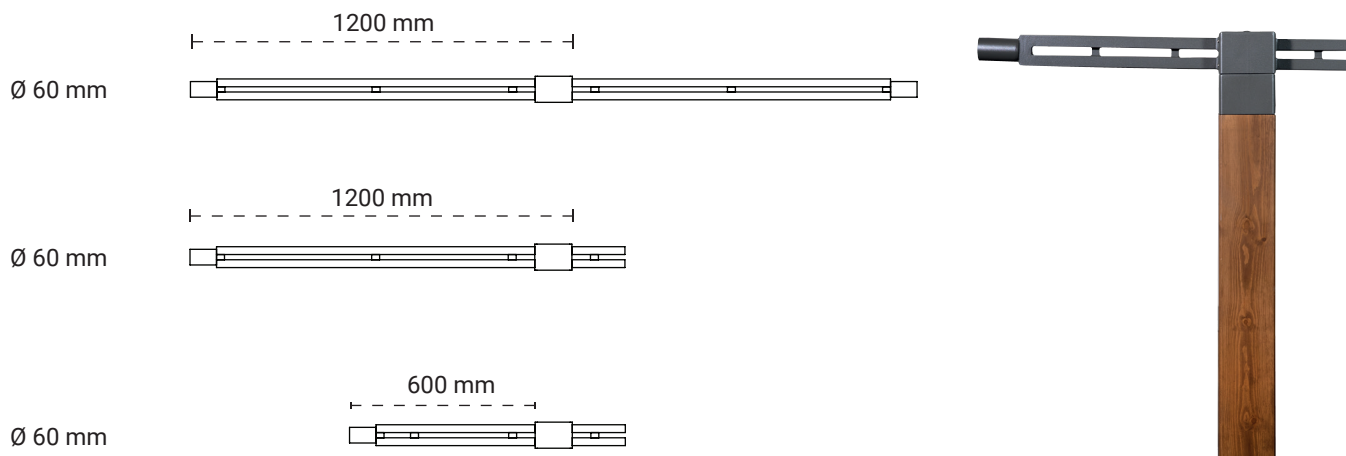
GULL



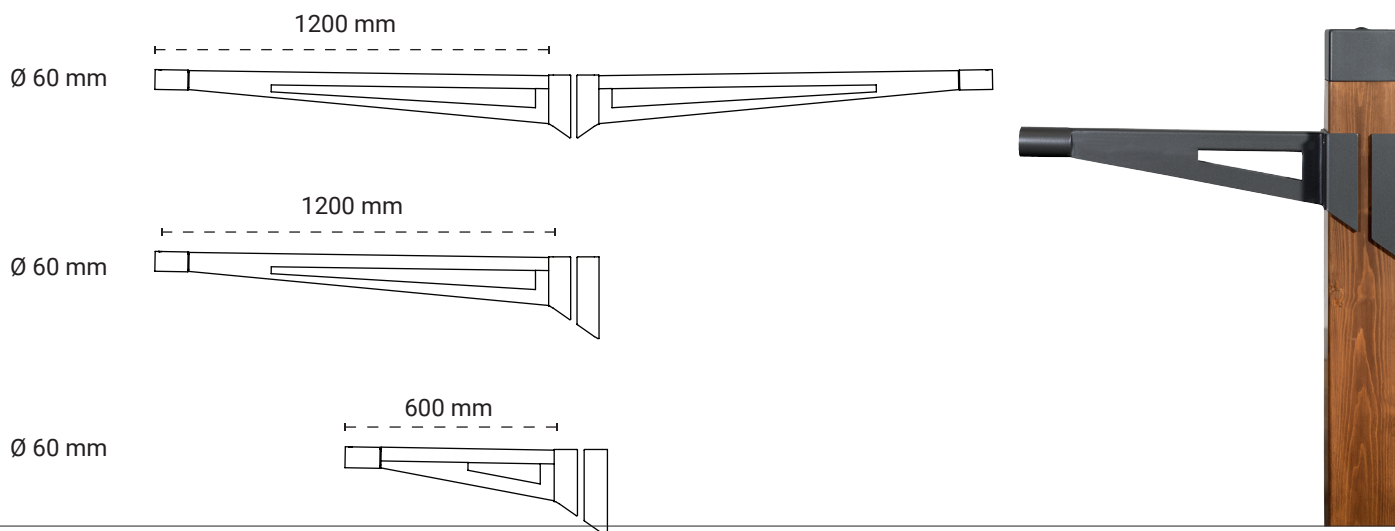
MATERIAL

Raw material: low-silicon steel ($\text{Si} + \text{P} \leq 0.04\%$)
Zinc coating: international standard EN ISO 1461
(layer thickness typically $< 90 \mu\text{m}$).

TIKKA



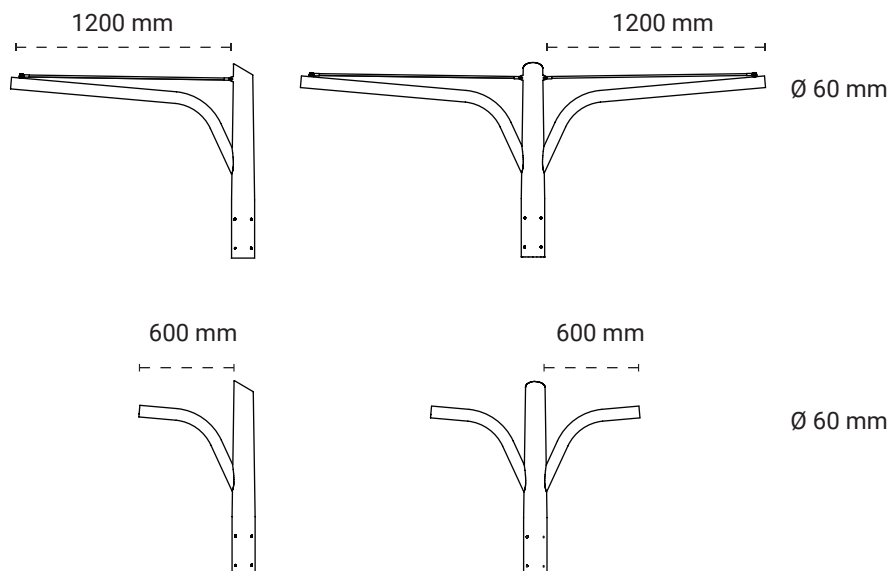
SWALLOW



MATERIAL

Raw material: low-silicon steel ($\text{Si} + \text{P} \leq 0.04\%$)
Zinc coating: international standard EN ISO 1461
(layer thickness typically $< 90 \mu\text{m}$).

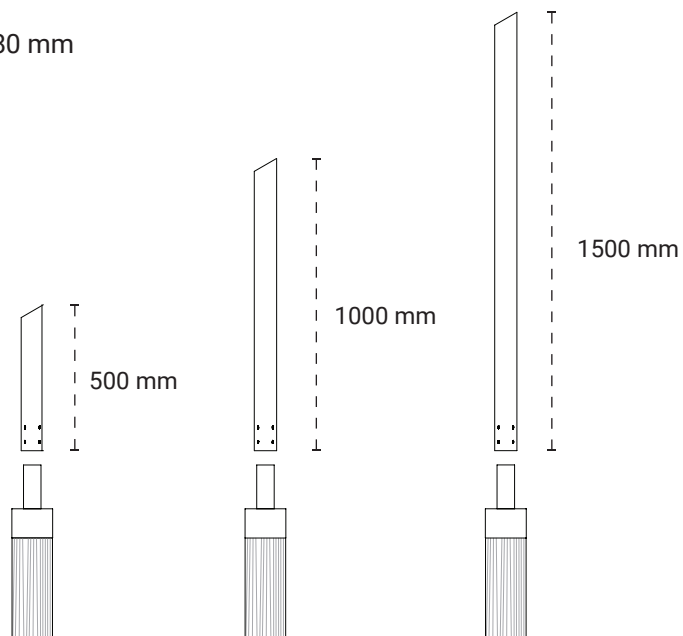
SEKA



**AARKI
STEEL EXTENSION**

Fixing for floodlights

Ø 76, 80 X 80 mm



SIIP1-adapter for fixing and orientation of floodlights.

MATERIAL

Raw material: low-silicon steel ($Si + P \leq 0.04\%$)
Zinc coating: international standard EN ISO 1461
(layer thickness typically $< 90 \mu m$).