

# ALUMINUM EXTRUDED PRODUCTS

Comprehensive Products and Technical Solutions



**valmont**   
STRUCTURES



# delivering diverse resources

We provide the highest level of service



# THE VALMONT PROMISE



**Valmont's structures touch millions of lives around the world, day and night. From stop lights to street lamps, communication towers to utility poles, we provide a sense of safety and connectedness people depend on.**

---

Our extensive in-house capabilities, combined with our complete line of finishing and inspection services, allow for superior quality control and the best lead times in the industry.

Valmont demonstrates responsibility at every stage of the process. Our recycling capabilities ensure we reuse 100% of steel, aluminum, and composite materials, as well as the zinc used during galvanizing.



# STRETCHING YOUR RESOURCES



**Valmont's expansion into aluminum extrusions was a natural fit to better support our existing aluminum pole customers and expand our superior products, service and delivery to new markets.**

Because of our extensive experience with aluminum, Valmont enjoys the strongest relationships with vendors and suppliers across the industry – something Valmont extrusion customers benefit from directly. Our corporate strength and reputation for product longevity and reliability are the reasons customers consistently turn to Valmont for their aluminum extrusion needs.

Valmont offers a large selection of aluminum extrusion products in a variety of alloys, finishes and fabrication options. Customers can choose from any standard shape from 5" to 12" diameter or work one-on-one with Valmont to order custom profiles that meet your specifications. The metallurgic integrity of our structural shapes assures that each extrusion product can go the distance, and ultimately reduce costs by being more recyclable than competing products.

# USING THE BEST MATERIALS WISELY



**For unparalleled selection, durability and service, Valmont is your preferred choice for aluminum extrusions.**

## VALMONT HIGHLIGHTS

- 1 of only 12 soft alloy extrusion presses in North America greater than 5000 tons and 16°± circle size (based on AEC data).
- Strong partner relationship for billet supply.
- Our high-pressure water spray quench system was designed and developed exclusive for Valmont.
- We recycle 100% of our aluminum wastes, allowing us to consume less of earth's limited resources.
- All of our aluminum extrusions are capable of being recycled.
- Finish lengths up to 53 ft.
- On time delivery.
- Short lead times.ft.
- Expert in large diameter tubular products.
- Dedicated carriers for quality deliveries.
- Strong, stable corporate environment.

**valmont**   
STRUCTURES

# OUR ALUMINUM EXTRUSIONS DIE BANK

DESCRIPTION	OD	WALL
3" x .375 Tube	3	0.375
3" x .500 Tube	3	0.5
3.5" SCH 40	4	0.226
3.5" x .125 Tube	3.5	0.125
4" SCH 40	4.5	0.237
4" SCH 80	4.5	0.337
4" x .125 Tube	4	0.125
4" x .188 Tube	4	0.188
4" x .375 Tube	4	0.375
4" x .500 Tube	4	0.5
4.5" x .188 Tube	4.5	0.188
4.5" x .250 Tube	4.5	0.25
4.75" x .250 Tube	4.75	0.25
4.75" x .375 Tube	4.75	0.375
5" SCH 40	5.563	0.258
5" x .125 Tube	5	0.125
5" x .188 Tube	5	0.188
5" x .250 Tube	5	0.25
5" x .500 Tube	5	0.5
5.5" x .312 Tube	5.5	0.312
6" SCH 40 Tube	6	.280
6" SCH 80 Tube	6	.432
6" x .156 Tube	6	0.156
6" x .188 Sq Tube	6	0.188
6" x .188 Tube	6	0.188
6" x .250 Tube	6	0.25
6" x .250 Sq Tube	6	0.5
6" x .313 Tube	6	0.313
6" x .500 Tube	6	0.5
6" x .750 Tube	6	0.75

DESCRIPTION	OD	WALL
6.5" x .312 Tube	6.5	0.312
6.5" x .375 Tube	6.5	0.375
6.75" x .250 Sq Tube	6.75	0.25
7" x .156 Tube	7	0.156
7" x .188 Tube	7	0.188
7" x .312 Tube	7	0.312
7" x .375 Tube	7	0.375
7" x .500 Tube	7	0.5
8" SCH 40	8	0.322
8" x .125 Tube	8	0.125
8" x .156 Tube	8	0.156
8" x .188 Tube	8	0.188
8" x .219 Tube	8	0.219
8" x .250 Tube	8	0.25
8" x .312 Tube	8	0.312
8" x .375 Tube	8	0.375
9" x .188 Tube	9	0.188
10" SCH 40	10	0.365
10" SCH 80	10	0.594
10" x .156 Tube	10	0.156
10" x .188 Tube	10	0.188
10" x .219 Tube	10	0.219
10" x .250 Tube	10	0.25
10" x .312 Tube	10	0.312
10" x .375 Tube	10	0.375
10" x .500 Tube	10	0.5
12" x .188 Tube	12	0.188
12" x .250 Tube	12	0.25
12" x .375 Tube	12	0.375

## CAPABILITIES

### PRODUCTS:

Tubing, Solid and Hollow Profiles

### PRESS CAPACITY:

5500 Tons

### MAX. BILLET SIZE:

16.375"

### CIRCLE SIZE:

16" Maximum

### LENGTHS:

Up to 53'

### MATERIAL:

Aluminum Association 6000 Series,  
Other Specifications Available.

### CUTTING & PACKAGING:

Per Customer Request

### CUSTOM SHAPES & FABRICATION CAPABILITIES:

Ask for Details

### ENGINEERING & DESIGN SUPPORT:

Available Upon Request

### MARKETS/APPLICATIONS:

Consumer, Refrigeration, Marine, Construction, Electrical,  
Transportation, Machine, Others

### FINISHING:

Bending, Finish Cut to Length, Drilling and Punching, Anodizing,  
Sanding, Heat Treatment Aging, Welding, Powder Painting

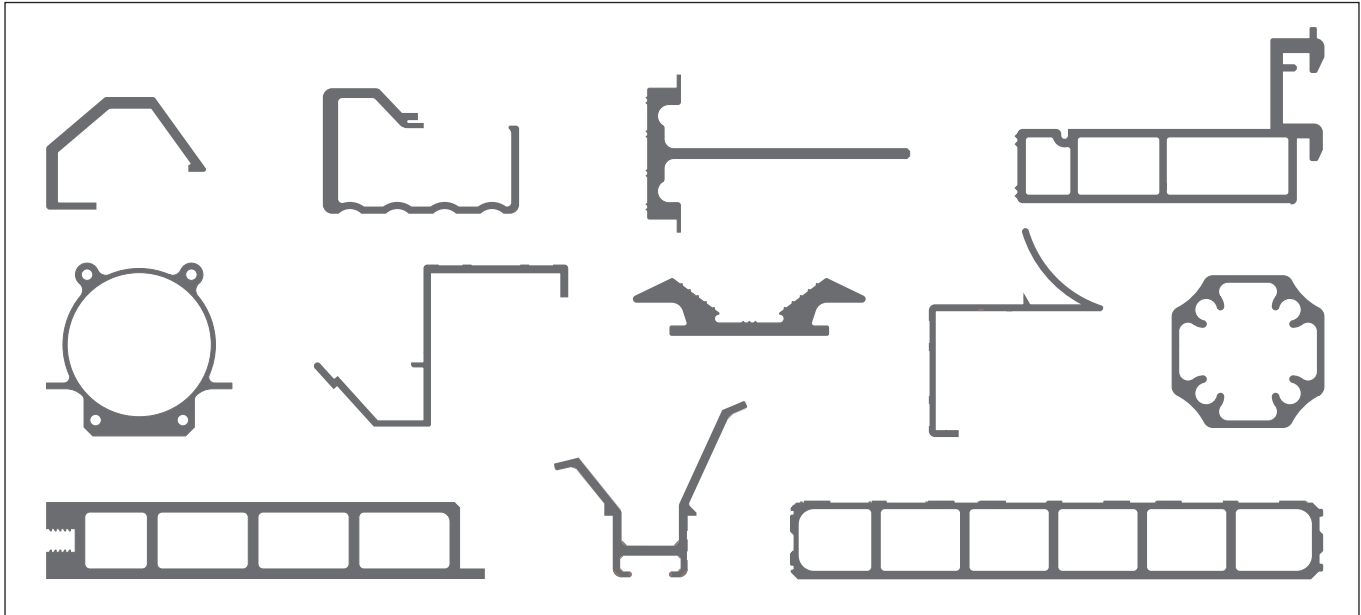




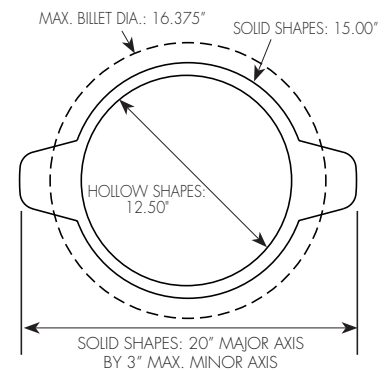
# ADDITIONAL SIZES AND SHAPES AVAILABLE ON INQUIRY

## EXTRUSION SNAPSHOTS

Extrusion shapes are for reference only and may not be available for use. For custom and additional shapes, please contact the factory.



16" CONTAINER	6063 ALLOY		6005A ALLOY		6061 ALLOY	
<b>TUBES &amp; HOLLOW SHAPES</b>	Min.	Max.	Min.	Max.	Min.	Max.
Extrusion Ratio	15	85	15	75	15	70
Cross Section Area (sq in)	2.5	14.0 <sup>1</sup>	2.8	14.0 <sup>1</sup>	3.0	14.0 <sup>1</sup>
Weight/Foot (lbs)	3.0	Variable	3.4	Variable	3.6	Variable
Product Thickness (in)	0.125	1	0.135	1	0.155	1
Product Circle Size (in)	-	12.5	-	12.5	-	10.5
<b>SOLID SHAPES</b>	Min.	Max.	Min.	Max.	Min.	Max.
Extrusion Ratio	15	100	15	88	15	80
Cross Section Area (sq in)	2.1	14.0 <sup>1</sup>	2.4	14.0 <sup>1</sup>	2.6	14.0 <sup>1</sup>
Weight/Foot (lbs)	2.5	Variable	2.9	Variable	3.1	Variable
Product Thickness (in)	0.125	1	0.135	1	0.155	1
Product Circle Size <sup>2</sup> (in)	-	14.0	-	14.0	-	12.5



1. Maximum cross section area and product thickness will be controlled by the capability of the press quench and its ability to achieve the required minimum cooling rates of 6063 – 100°F/min, 6005A – 330°F/min, and 6061 – 600°F/min.

2. Product circle size for shapes may be increased in some instances, where wider flat shapes can be accommodated using spreader type tooling.

### General Notes:

- Press capabilities are guidelines only. Any marginal case, or doubt especially regarding quench capability or shape complexity must be referred to Valmont Elkhart for review.
- Tolerances-Aluminum Association standard tolerances only. Tighter tolerances are subject to review.

---

## ALUMINUM EXTRUSIONS

58027 Charlotte Avenue  
Elkhart, Indiana 46516 USA

## PHONE

(574) 295.6942

## FAX

(574) 295.6998

## EMAIL

[extrusions@valmont.com](mailto:extrusions@valmont.com)

---

---

## DIVISION HEADQUARTERS

28800 Ida Street  
P.O. Box 358  
Valley, Nebraska 68064 USA  
(800) 825.6668



[www.ValmontStructures.com](http://www.ValmontStructures.com)

