

ITC fertigation solutions by Valley® offer precise fertilizer application



ITC fertigation packages by Valley® are heavy-duty, high-precision pumps for dosing liquid products. They are designed for a variety of processes where it is necessary to dose a product – such as fertilizer or crop protectants – into a mechanized irrigation network, including center pivots and linear/lateral irrigators.

Precise – Diaphragm dosing pumps offer positive displacement for dosing chemical products with a high yield rate and precision.

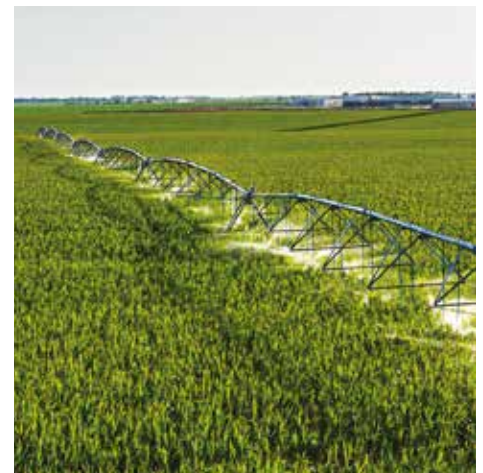
Durable – Manufactured with materials that can resist most chemicals products, even acids.

Flexible – Offer a broad spectrum of head pressures, ranging from 207 l/h to 1080 l/h for many different injection possibilities.

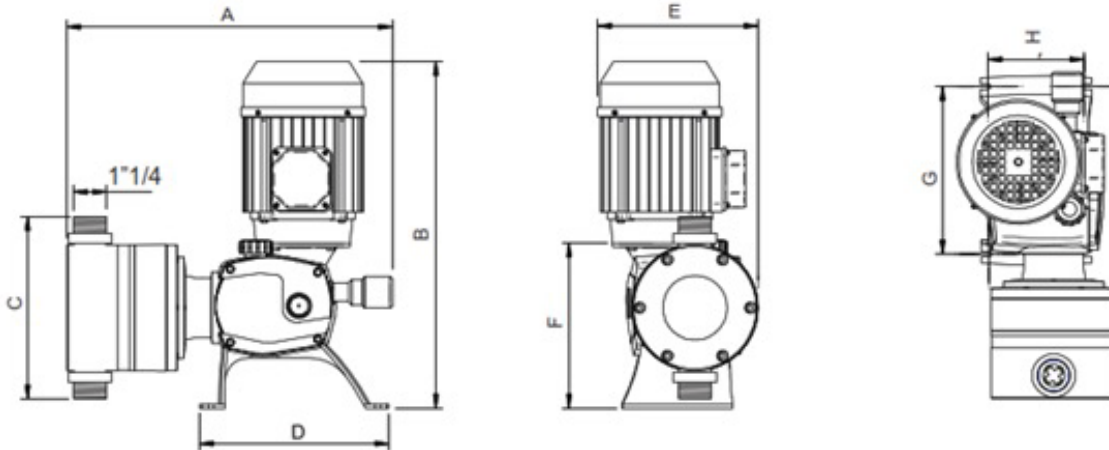
Sustainable – Ideal for applying fertilizer and crop protectants through irrigation machines, which helps protect the environment by keeping sprays where they should be.

Convenient – Dosing flow of each module is adjustable independently from 0% to 100% of its capacity without the need to stop the pump.

Turnkey – Valley offers end-to-end irrigation and pumping design, offering to our clients fully integrated systems, maximum efficiency and excellent support.



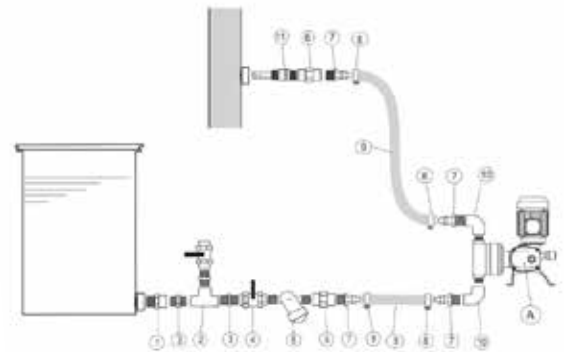
Back



Materials

Diaphragm	Elastomer base reinforced with fiber and PTFE clothing
Retention	FPM
Cylinder	PP
Valve (ball)	Borosilicate
Rod	Aluminum
Ring Gear	Bronze
Pinion	F – 154 CEM
Block	Aluminum cast
Eccentric shaft	F – 154 CEM

Valmont ME Valley Installation Kits 1



Max. Flow L/H (50 Hz)	Max. Pressure bar (PSI)	Connection
685 – 520	(102) 7	1 ¼"

Motor details	Dimensions	Agitation
<ul style="list-style-type: none"> ✓ 3 Ph ✓ 50 Hz ✓ 0.75 kW ✓ 1400 rpm 	<ul style="list-style-type: none"> ✓ L = 1500 mm ✓ Diameter = 150 mm 	<ul style="list-style-type: none"> ✓ Dmax – 2.7 meters ✓ Volume – 10 Cubi meters ✓ Flow 8.3 – Cubic m/hr

**Piston pump options available upon request*