

## Decorative Lamp Post - SR4 / Base D14S

- Smooth, straight non-tapered, 4-inch diameter, reinforced composite pole shaft
- Direct embedded and anchor base models
- One piece XTREME® elastomeric urethane base cover

### Ordering Information

Sample Catalog Number Logic

|                      | B                  | C                   | D     | E          | F            | G       |
|----------------------|--------------------|---------------------|-------|------------|--------------|---------|
| <b>SR4-D14S</b>      | 12                 | DE                  | DGR   | 40         | -30          |         |
| <b>SR4-D14S</b>      | 12                 | AB                  | BLK   | 27         | -35          | RC      |
| Pole and Base Design | Above Grade Height | Installation Method | Color | Tenon O.D. | Tenon Height | Options |

#### B Above Grade Height

| Cat No.   | Description     |
|-----------|-----------------|
| <b>6</b>  | 6 feet /1.83 M  |
| <b>7</b>  | 7 feet /2.13 M  |
| <b>8</b>  | 8 feet /2.44 M  |
| <b>9</b>  | 9 feet /2.74 M  |
| <b>10</b> | 10 feet /3.05 M |
| <b>11</b> | 11 feet /3.35 M |
| <b>12</b> | 12 feet /3.66 M |

#### C Installation Method

| Cat No.   | Description     |
|-----------|-----------------|
| <b>DE</b> | Direct Embedded |
| <b>AB</b> | Anchor Base     |

#### D Color

| Cat No.    | Description  |
|------------|--|
| <b>BLK</b> | Black  |
| <b>MTB</b> | Matte Black  |
| <b>DBZ</b> | Dark Bronze  |
| <b>DGR</b> | Dark Green   |
| <b>HTG</b> | Hunter Green   |
| <b>SLV</b> | Silver   |
| <b>WHT</b> | White  |
| <b>GRY</b> | Grey   |
| <b>CC</b>  | Custom Color - Please provide a min. 3" x 3" color chip. |
| <b>RAL</b> | Please provide a four digit RAL color number.            |

#### E Tenon O.D. (Outside Diameter)

| Cat No.   | Description        |
|-----------|--------------------|
| <b>23</b> | 2 3/8" (60 mm)     |
| <b>27</b> | 2 7/8" (73 mm)     |
| <b>30</b> | 3" (76 mm) nominal |
| <b>35</b> | 3 1/2" (89 mm)     |
| <b>40</b> | 4" (102 mm)        |

#### F Tenon Height

| Cat No.    | Description   |
|------------|---------------|
| <b>-30</b> | 3.0" (76 mm)  |
| <b>-35</b> | 3.5" (89 mm)  |
| <b>-40</b> | 4.0" (102 mm) |
| <b>-50</b> | 5.0" (127 mm) |

- For other tenon sizes contact the factory.

#### G Options

| Cat No.   | Description  |
|-----------|--|
| <b>RC</b> | Receptacle housing and a NEC-approved cover with 15A GFCI receptacle. Standard location is 12"/305 mm below the top of the pole. |

- Other accessories are shown on the Accessories specification sheet.

ABOVE GRADE  
HEIGHT  
12' MODEL  
SHOWN



HEIGHT: 43"/1092 mm

BASE DIAMETER: 14"/356 mm

## SR4-D14S Smooth straight 4-inch diameter pole shaft

### Specifications

#### POLE SHAFT

The composite lamp post shall be smooth straight. The post shall be 4 inches (102 mm) in diameter with a nominal wall thickness of .28 inches (7 mm). The hand hole shall be 2 inches (51 mm) x 4 inches (102 mm) with a cover. The post shall be constructed of fiberglass reinforced polyester resin utilizing glass roving, continuous strand mat and off axis fibers oriented for optimum strength and rigidity. The post shall be non-conductive and chemically inert.

#### PERFORMANCE CRITERIA

The post shall be designed with a minimum safety factor of 1.5:1 and have no more than a 10% deflection at full wind loading. The post shall deflect no more than 2.5% of the above-ground length with 100 lbs of lateral top load (stiffness). Poles shall be tested and rated per ANSI C136.20-2012.

#### DIRECT EMBEDDED INSTALLATION

Direct embedded poles shall have a 2 inch (51 mm) x 4 inch (102 mm) hole for conduit entrance 24 inches (610 mm) below finished grade. Embedded depths may vary per local codes, site soil conditions, drainage and very high wind conditions.

#### ANCHOR BASE INSTALLATION

Anchor bases shall be constructed of galvanized steel or 6061-T6 aluminum base. The base shall be factory bonded to the post. The anchor base shall have four holes at ninety degrees, accommodating a bolt circle of 7 inches (178 mm) to 9 inches (230 mm).

#### POST TOP

A painted A356-T6 aluminum tenon shall be firmly bonded to the pole for mounting a post-top luminaire or arm.

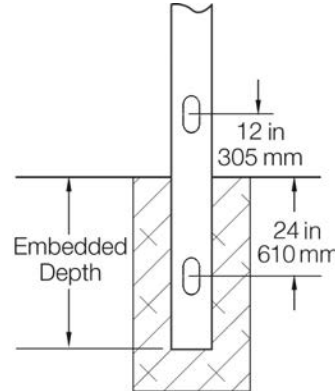
#### FINISH

The surface of the post shall be uniform and consistent for the entire length of the post. A UV-resistant catalyzed urethane coating shall be extremely durable and retains its gloss after a 5000 hour exposure test per ASTM G154, with no dulling or chalking of the surface.

#### ORNAMENTAL BASE COVER

The ornamental decorative base cover shall be one piece and constructed from a proprietary elastomeric urethane and finished to match the post. The base shall be corrosion free and extremely resistant to impact and chipping.

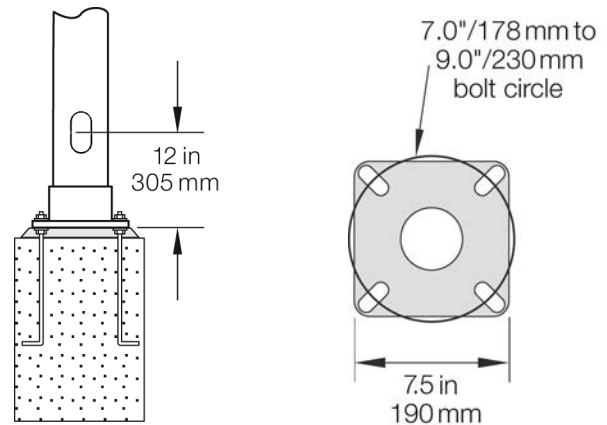
### Direct Embedded - DE



| Shaft Length | Embedded Depth |
|--------------|----------------|
| 6 to 12 ft   | 3 ft / .91 M   |

### Anchor Base Installation - AB

Bolts: 5/8" x 21" x 3" Galvanized with 8 washers and 4 nuts.



### Wind Loading Data

| Cat No.   | Description    | WT | WIND SPEED (MPH) WITH 3 SECOND GUST FACTOR |      |      |      |     |     |     |
|-----------|----------------|----|--|------|------|------|-----|-----|-----|
|           |                |    | 90   | 100  | 110  | 120  | 130 | 140 | 150 |
| <b>6</b>  | 6 feet/1.83 M  | 29 | 18.7                                       | 15.0 | 12.3 | 10.2 | 8.7 | 7.4 | 6.4 |
| <b>7</b>  | 7 feet/2.13 M  | 33 | 16.4                                       | 13.1 | 10.7 | 8.9  | 7.5 | 6.4 | 5.6 |
| <b>8</b>  | 8 feet/2.44 M  | 36 | 12.3                                       | 11.3 | 9.2  | 7.7  | 6.5 | 5.5 | 4.8 |
| <b>9</b>  | 9 feet/2.74 M  | 39 | 12.4                                       | 9.8  | 8.0  | 6.6  | 5.6 | 4.7 | 4.1 |
| <b>10</b> | 10 feet/3.05 M | 42 | 10.9                                       | 8.6  | 7.0  | 5.8  | 4.8 | 4.1 | 3.5 |
| <b>11</b> | 11 feet/3.35 M | 46 | 9.7  | 7.5  | 6.1  | 5.0  | 4.2 | 3.5 | 3.0 |
| <b>12</b> | 12 feet/3.66 M | 49 | 8.5  | 6.6  | 5.3  | 4.4  | 3.6 | 3.0 | 2.6 |

Wind speed values are for a 3 second gust per ASCE. Calculated per ANSI C136.20-2012. 1.0 Importance factor. Assumes load 12 inches above the pole top. Safety factor = 1.5:1. Contact the factory for AASHTO or specific local codes.