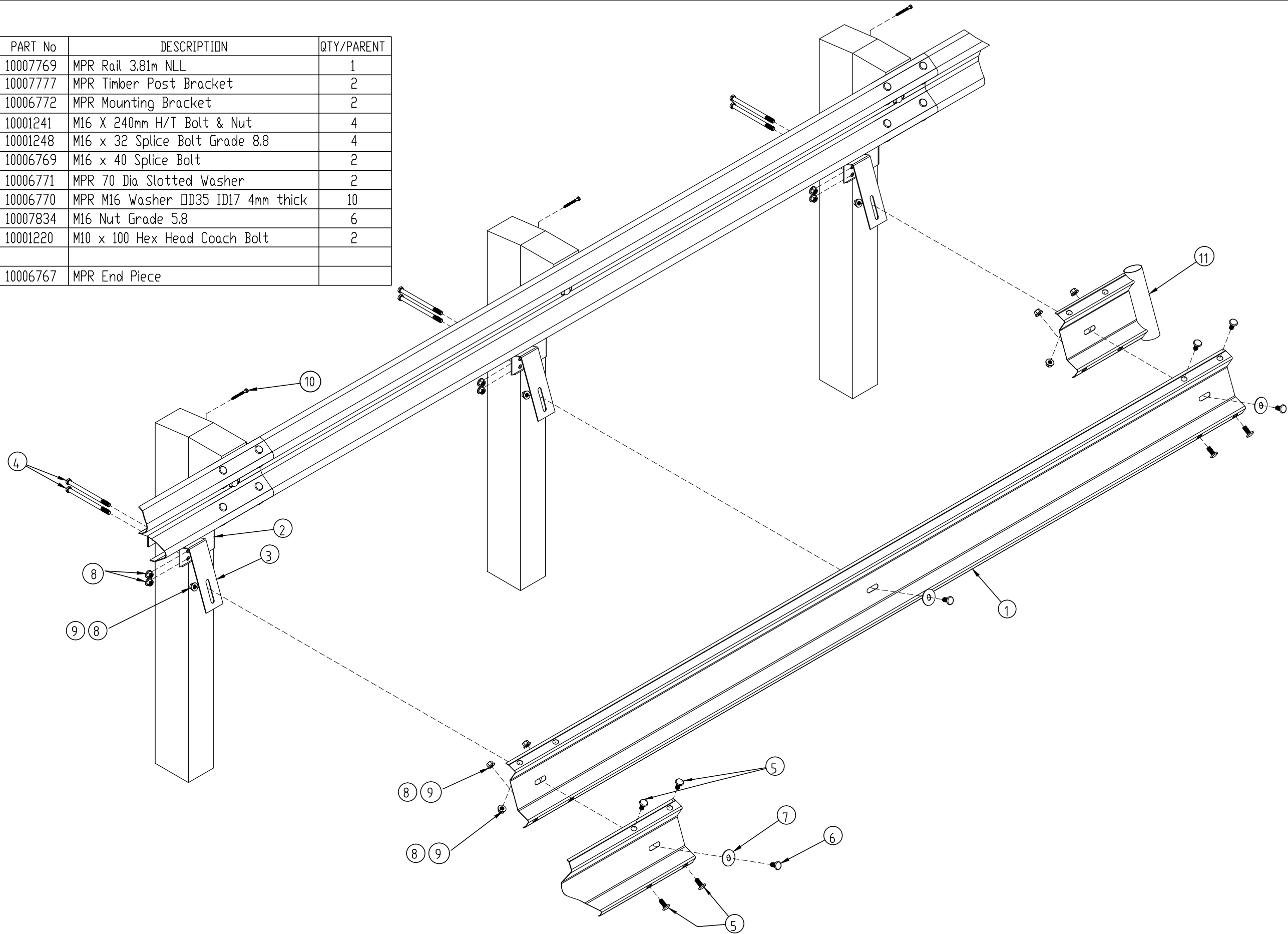


ITEM	PART No	DESCRIPTION	QTY/PARENT
1	10007769	MPR Rail 3.81m NLL	1
2	10007777	MPR Timber Post Bracket	2
3	10006772	MPR Mounting Bracket	2
4	10001241	M16 X 240mm H/T Bolt & Nut	4
5	10001248	M16 x 32 Splice Bolt Grade 8.8	4
6	10006769	M16 x 40 Splice Bolt	2
7	10006771	MPR 70 Dia Slotted Washer	2
8	10006770	MPR M16 Washer DD35 ID17 4mm thick	10
9	10007834	M16 Nut Grade 5.8	6
10	10001220	M10 x 100 Hex Head Coach Bolt	2
11	10006767	MPR End Piece	



REV	DATE	DESCRIPTION	DRAWN	CHECKED	APPROVED	DRAWING NUMBER	REFERENCE DRAWINGS	NAME	DATE	PROJECT	TITLE	INGAL CIVIL PRODUCTS PART No.	DRAWING No.																																																		
1	31-08-16	BOM UPDATED	MC	LG				LG	06/11/15	INGAL CIVIL PRODUCTS	INGAL MPR NZTA GUARDRAIL - TIMBER POST CONFIG EXPLODED ISOMETRIC ASSEMBLY	10007902	ICP-MPR-009																																																		
<table border="1"> <tr> <td>REVISIONS</td> <td></td> <td></td> <td></td> <td></td> <td></td> <td></td> <td></td> <td></td> <td></td> </tr> <tr> <td></td> <td></td> <td></td> <td></td> <td></td> <td></td> <td></td> <td></td> <td></td> <td></td> </tr> <tr> <td></td> <td></td> <td></td> <td></td> <td></td> <td></td> <td></td> <td></td> <td></td> <td></td> </tr> <tr> <td></td> <td></td> <td></td> <td></td> <td></td> <td></td> <td></td> <td></td> <td></td> <td></td> </tr> <tr> <td></td> <td></td> <td></td> <td></td> <td></td> <td></td> <td></td> <td></td> <td></td> <td></td> </tr> </table>										REVISIONS																																																				<p>DRAWING AND CONTENTS ARE COPYRIGHT TO INGAL CIVIL PRODUCTS AND CAN ONLY BE USED WITH PRIOR WRITTEN CONSENT FROM INGAL CIVIL PRODUCTS</p> <p>57-65 AIRDS ROAD MINTO, N.S.W 2566 PH. +61 2 9827 3333 www.ingalcivil.com.au</p>	
REVISIONS																																																															
<p>SALES & MARKETING DRAWINGS INGAL MPR ICP-MPR-009 - TIMBER POST GUARDRAIL MPR ISO EXPLODED DWG</p>																																																															