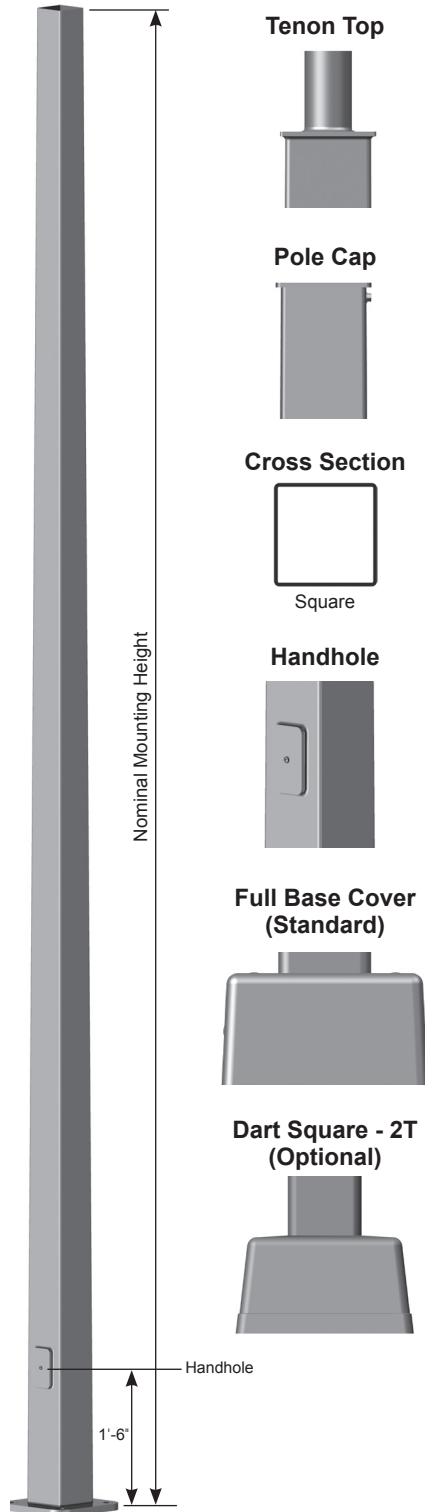


Job Name: _____	Client Name: _____
Job Location - City: _____ State: _____	Created By: _____ Date: _____
Product: _____ Quote: _____	Customer Approval: _____ Date: _____

SPECIFICATIONS



Pole Shaft - The pole shaft is a 1-piece assembly conforming to ASTM A595 Grade A or A572 Grade 55 with a constant linear taper of 0.11 in/ft.

Pole Top – Pole is provided with either a tenon top or drilled for a fixture mounting. A removable pole cap is provided for drilled poles. Consult the luminaire manufacturer for correct tenon size or drill pattern. Other pole top options include pole cap only (PC) or plain top (PL) which is typical when the pole top square matches the necessary slip fit dimensions.

Handhole – A reinforced handhole with grounding provision is provided at 1'-6" from the base end of the pole assembly. Each hand hole includes a cover and the cover attachment hardware. Poles with a base square of 6.00" or smaller are supplied with a 3" x 5" rectangular handhole. All other pole assemblies are provided with a 4" x 6.5" ovalized handhole. Handhole dimensions are nominal.

Base Cover – A two-piece full base cover fabricated from ABS plastic is provided with each pole assembly. Valmont reserves the right to provide a two-piece steel full base cover on some applications depending upon the finish requirement and/or pole base square. Additional base cover options, including the dart square (2T) cast aluminum cover, are available upon request.

Anchor Bolts - Anchor bolts conform to ASTM F1554 Grade 55 and are provided with two hex nuts and two flat washers. Bolts have an "L" bend on one end and are galvanized a minimum of 12" on the threaded end.

Hardware - All structural fasteners are galvanized high strength carbon steel. All non-structural fasteners are galvanized or zinc-plated carbon steel or stainless steel.

Finish - Standard finishes are Galvanized (GV) or Finish Painted (FP). Additional finish options, including Finish Paint over Galvanizing (FPGV) or any of the V-PRO™ Finish Coating Systems are available upon request. See the product ordering code for color options.

Design Criteria - Please reference Design Criteria Specification for appropriate design conditions.

SQUARE TAPERED STEEL DS220



STRUCTURES

Job Name: _____	Client Name: _____
Job Location - City: _____ State: _____	Created By: _____ Date: _____
Product: _____ Quote: _____	Customer Approval: _____ Date: _____

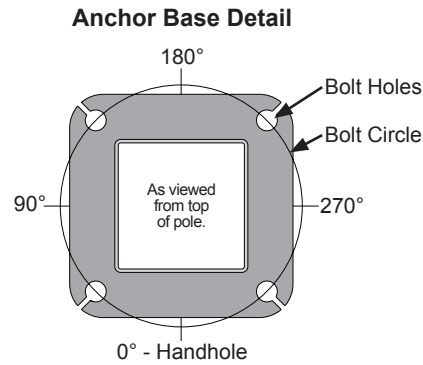
DESIGNATION, LOAD AND DIMENSIONAL DATA

NOMINAL MOUNTING HEIGHT	DESIGN INFORMATION						POLE DIMENSIONS				DESIGNATION
	80 MPH w/1.3 GUST		90 MPH w/1.3 GUST		100 MPH w/1.3 GUST		SHAFT BASE SQUARE (IN)	SHAFT TOP SQUARE (IN)	WALL THK (GA)	STRUCTURE WEIGHT ² (LBS)	
	MAX EPA ¹ (SQFT)	MAX WEIGHT ¹ (LBS)	MAX EPA ¹ (SQFT)	MAX WEIGHT ¹ (LBS)	MAX EPA ¹ (SQFT)	MAX WEIGHT ¹ (LBS)					
20'-0"	18.0	452	13.8	345	10.7	268	5.25	3.05	11	155	525A200
	30.5	764	24.0	602	19.0	477	5.50	3.30	7	235	550E200
25'-0"	16.8	422	12.6	315	9.5	238	6.00	3.25	11	205	600A250
	28.5	713	22.5	563	18.2	455	6.41	3.66	7	310	641E250
30'-0"	13.6	340	9.8	245	7.0	175	6.41	3.11	11	260	641A300
	23.6	590	17.9	448	13.7	343	6.41	3.11	7	375	641E300
	27.4	687	21.6	542	17.3	434	7.13	3.83	7	431	713E300
35'-0"	10.7	269	7.3	184	4.8	120	6.81	2.96	11	305	681A350
	23.4	585	17.4	435	13.0	325	7.13	3.28	7	475	713E350
	25.7	643	18.8	470	13.8	345	7.88	4.03	7	540	788E350
39'-0"	8.6	215	5.4	135	3.0	75	7.18	2.92	11	345	718A389
	19.3	483	14.2	355	10.4	260	7.13	2.87	7	500	713E389
	26.1	654	20.6	517	16.2	405	8.75	4.49	7	670	875E389
45'-0"	16.0	400	11.1	278	7.4	187	7.88	2.93	7	620	788E450
	23.5	588	16.6	415	11.4	287	8.75	3.80	7	730	875E450
50'-0"	19.4	485	13.2	332	8.7	218	8.81	3.31	7	780	881E500

1. Maximum EPA (Effective Projected Area) and weight values are based on top mounted luminaires and/or brackets having a centroid 2'-6" above the Nominal Mounting Height. Variations from sizes above are available upon inquiry at the factory. Satisfactory performance of poles is dependent upon the pole being properly attached to a supporting foundation of adequate design.
2. Structure weight is a nominal value which includes the pole shaft and base plate only.

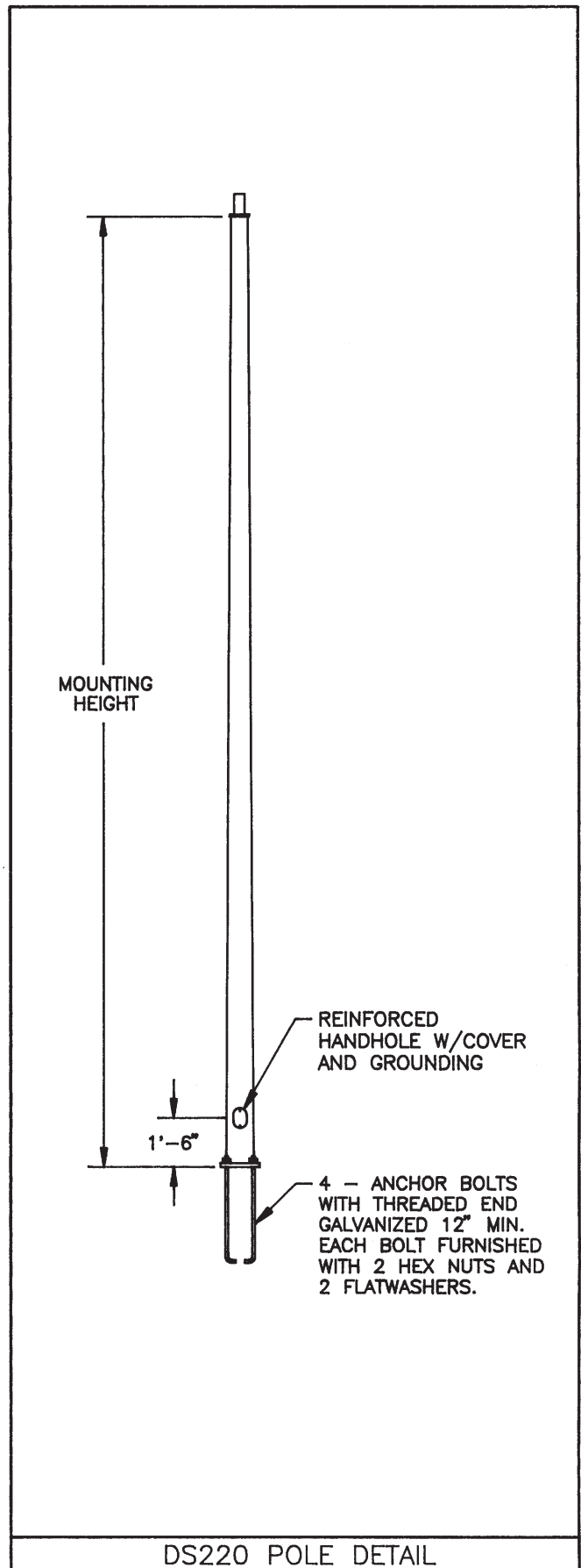
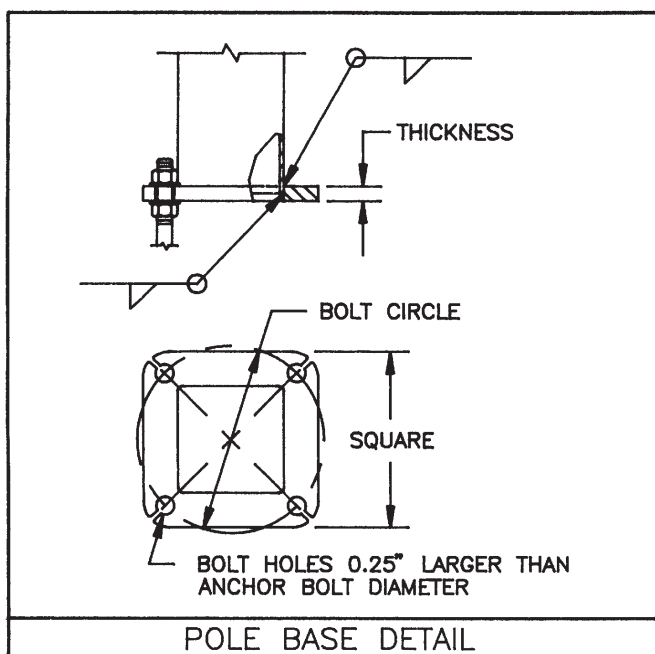
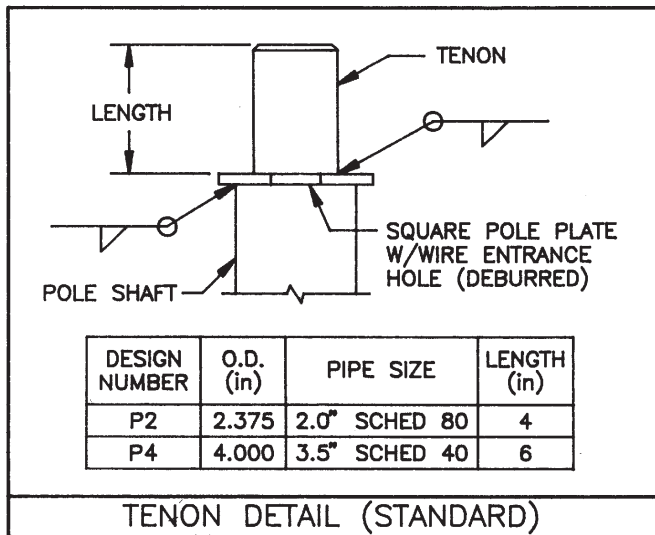
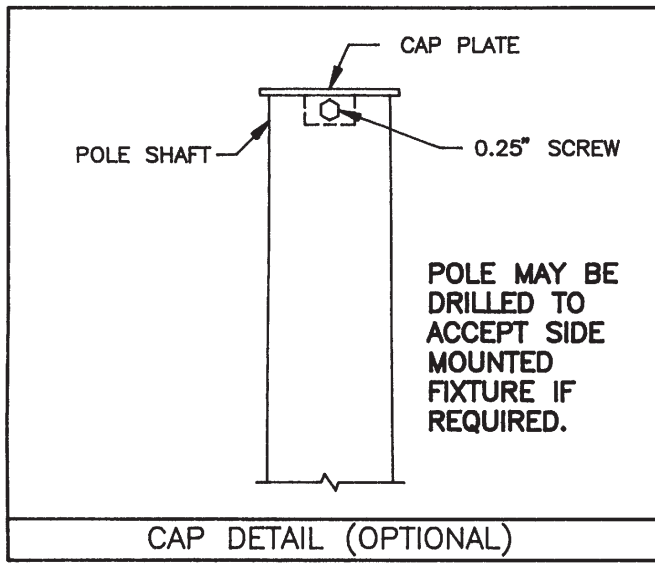
ANCHORAGE DATA

POLE	BASE PLATE				ANCHOR BOLTS			
	POLE BASE SQUARE OD (IN)	WALL THK (GA)	BOLT CIRCLE DIA (IN)	± (IN)	SQUARE (IN)	THK (IN)	DIA x LENGTH x HOOK (IN)	PROJECTION (IN)
5.25	11	10.75	N/A	10.75	0.750	1.00 x 36.00 x 4.00	4.00	0.25
5.50	7	11.00	N/A	11.00	1.000	1.00 x 36.00 x 4.00	4.25	0.25
6.00	11	12.00	N/A	11.50	0.875	1.00 x 36.00 x 4.00	4.13	0.25
6.41	11	12.50	N/A	11.88	0.875	1.00 x 36.00 x 4.00	4.13	0.25
6.41	7	12.50	N/A	11.88	1.250	1.00 x 36.00 x 4.00	4.50	0.25
6.81	11	13.00	N/A	12.25	0.875	1.00 x 36.00 x 4.00	4.13	0.25
7.13	7	13.50	N/A	12.63	1.250	1.00 x 36.00 x 4.00	4.50	0.25
7.18	11	13.50	N/A	12.63	0.875	1.00 x 36.00 x 4.00	4.13	0.25
7.88	7	14.50	N/A	13.38	1.250	1.00 x 36.00 x 4.00	4.50	0.25
8.75	7	15.75	N/A	14.25	1.500	1.25 x 42.00 x 6.00	5.25	0.25
8.81	7	16.00	N/A	15.50	1.250	1.25 x 42.00 x 6.00	5.00	0.25



PRODUCT ORDERING CODE

MODEL	DESIGNATION	FIXTURE MOUNTING	FINISH SYSTEM	STANDARD COLOR OPTIONS	BASE COVER	ANCHOR BOLTS	SUPPLEMENTAL INFO
DS220	Select Correct Designation from the Load and Dimensional Data Chart.	Drill Mounting (See Orientation) D1 = (1) Drilling @ 270° D2 = (2) Drillings @ 90° & 270° D4 = (4) Drillings @ 0°, 90°, 180°, & 270° D5 = (2) Drillings @ 180° & 270° D6 = (3) Drillings @ 90°, 180°, & 270° Tenon Mounting P2 = 2.38" OD x 4" tenon P4 = 4.00" OD x 6" tenon P5 = 2.88" OD x 4" tenon P6 = 2.88" OD x 5" tenon P7 = 2.38" OD x 5" tenon P9 = Special Size (Specify) Other Options PC = Pole Cap PL = Plain Top (No Cap)	GV = Galvanized FP = Finish Painted -----OPTIONAL----- FPGV = Finish Paint over Galvanizing VP30 = V-PRO™ 30 System VP32 = V-PRO™ 32 System VP53 = V-PRO™ 53 System VP54 = V-PRO™ 54 System VP57 = V-PRO™ 57 System VP100 = V-PRO™ 100 System VP105 = V-PRO™ 105 System	GV = Galvanized BK = Black DB = Dark Bronze MB = Medium Bronze WH = White LG = Light Gray CB = Bronze DG = Dark Green ST = Sandstone HG = Hunter Green SG = Slate Gray SL = Silver SC = Special Color (Specify)	FBC = Full Base Cover -----OPTIONAL----- 2T = Square Dart Cover	AB = With Anchor Bolts LAB = Without Anchor Bolts	



SPCT206 02/17 valmontstructures.com carries the most current spec information and supersedes these guidelines.