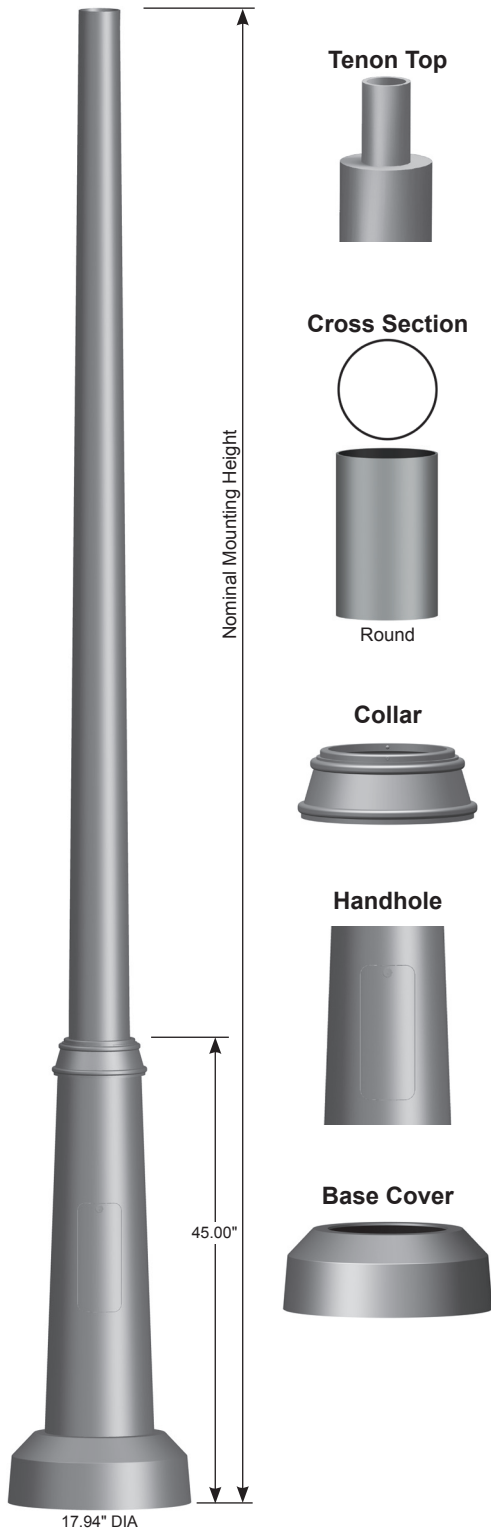


| | |
|---|--------------------------------------|
| Job Name: _____ | Client Name: _____ |
| Job Location - City: _____ State: _____ | Created By: _____ Date: _____ |
| Product: 7H01AR -- Quote: _____ | Customer Approval: _____ Date: _____ |

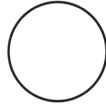
SPECIFICATIONS



Tenon Top



Cross Section



Round

Collar



Handhole



Base Cover



Post - The post shaft is spun from seamless 6000 series alloy aluminum.

Post Top - A post top plate and tenon can be provided for top mount luminaire and/or bracket. A removable finial is provided for posts receiving drilling patterns for side-mount luminaire arm assemblies.

Collar - Slip-over design made from high quality aluminum casting.

Handhole - A covered handhole and grounding provision are provided.

Base Cover - Slip-over design made from high quality aluminum casting.

Anchor Base - The anchor base is cast from 356 alloy aluminum. The completed assembly is heat-treated to a T6 temper after the structural welding is completed.

Anchor Bolts - Anchor bolts conform to ASTM F1554 Grade 55 and are provided with one hex nut, one leveling shim, and two flat washers. Bolts have an "L" bend on one end and are galvanized a minimum of 12" on the threaded end.

Finish - The standard finish for the post assembly and components is polyester powder applied coating in accordance with Valmont Industries' Specifications. Additional finish options available upon request.

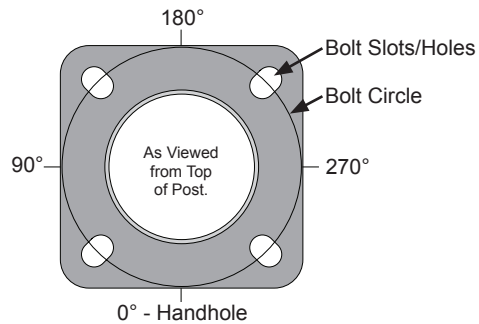
STANTON Round Tapered Aluminum Post

| | |
|---|--------------------------------------|
| Job Name: _____ | Client Name: _____ |
| Job Location - City: _____ State: _____ | Created By: _____ Date: _____ |
| Product: 7H01AR -- Quote: _____ | Customer Approval: _____ Date: _____ |

ANCHORAGE DATA

| ANCHOR BASE | | | | ANCHOR BOLTS | | | |
|-------------|--------|-------------|----------|--------------------------|-----------------|--------|--|
| BOLT CIRCLE | | SQUARE (IN) | THK (IN) | DIA x LENGTH x HOOK (IN) | PROJECTION (IN) | ± (IN) | |
| DIA (IN) | ± (IN) | | | | | | |
| 14.19 | 0.81 | 12.94 | 1.000 | 0.75 x 17.00 x 3.00 | 3.06 | N/A | |

Anchor Base Detail



LOAD AND DIMENSIONAL DATA

| NOMINAL MOUNTING HEIGHT | DESIGN INFORMATION | | | | | | POST DIMENSIONS | | | | MODEL NUMBER |
|-------------------------|--------------------------------|-------------------------------|--------------------------------|-------------------------------|---------------------------------|-------------------------------|-----------------|-------------|---------------|-------------------------------------|--------------|
| | 80 MPH w/1.3 GUST ¹ | | 90 MPH w/1.3 GUST ¹ | | 100 MPH w/1.3 GUST ¹ | | BASE OD (IN) | TOP OD (IN) | WALL THK (IN) | STRUCTURE WEIGHT ³ (LBS) | |
| | MAX EPA ² (SQFT) | MAX WEIGHT ² (LBS) | MAX EPA ² (SQFT) | MAX WEIGHT ² (LBS) | MAX EPA ² (SQFT) | MAX WEIGHT ² (LBS) | | | | | |
| 10'-0" | 20.0 | 65 | 18.7 | 65 | 15.1 | 65 | 10.00 | 4.00 | 0.188 | 53 | 100040106JK |
| 12'-0" | 20.0 | 65 | 16.3 | 65 | 13.2 | 65 | 10.00 | 4.00 | 0.188 | 58 | 120040106JK |
| 14'-0" | 17.6 | 65 | 13.7 | 65 | 11.0 | 65 | 10.00 | 4.00 | 0.188 | 64 | 140040106JK |
| 16'-0" | 15.0 | 65 | 11.6 | 65 | 9.2 | 65 | 10.00 | 4.00 | 0.188 | 69 | 160040106JK |
| 18'-0" | 12.7 | 65 | 9.8 | 65 | 7.7 | 65 | 10.00 | 4.00 | 0.188 | 75 | 180040106JK |
| 20'-0" | 10.8 | 65 | 8.2 | 65 | 6.4 | 65 | 10.00 | 4.00 | 0.188 | 80 | 200040106JK |

- EPA values are calculated using fastest mile winds.
- Maximum EPA (Effective Projected Area) and weight values are based on top mounted luminaires and/or brackets having a centroid 3'-0" above and 6'-0" eccentric to the post top at Nominal Mounting Height. Variations from sizes above are available upon inquiry at the factory. Satisfactory performance of posts is dependent upon the post being properly attached to a supporting foundation of adequate design.
- Structure Weight is a nominal value which includes the post shaft and anchor base only.

PRODUCT ORDERING CODES

| DESIGN SERIES | CROSS SECTION | MODEL NUMBER | FIXTURE MOUNTING | COLOR | OPTIONS |
|---------------|---------------|--|--|--|---|
| 7H01A | Round | 100040106JK 120040106JK 140040106JK 160040106JK 180040106JK 200040106JK | Drill Mounting D1 = 1 Luminaire D2 = 2 @ 180° D3 = 3 @ 120° D4 = 4 @ 90° D5 = 2 @ 90° D6 = 3 @ 90° Tenon Mounting P2 = 2.38" OD x 4.00" P3 = 3.50" OD x 6.00" P4 = 4.00" OD x 6.00" P5 = 2.88" OD x 4.00" P7 = 2.38" OD x 5.00" PA = 3.50" OD x 12.00" PQ = 2.38" OD x 12.00" PD = 3.00" OD x 3.00" -- = Plain Top P9 = Other Tenon (Contact Factory) | DWH = White DSS = Sandstone HTG = Hunter Green DNA = Natural Aluminum DCG = Charcoal Gray DMB = Medium Bronze DNB = New Dark Bronze DDB = Dark Bronze DBL = Black DSB = Steel Blue DTG = Dark Green DBR = Red SC = Special Color (Contact Factory) | See Decorative Accessories or Decorative Arms - Aluminum at valmontstructures.com (Please Specify) |