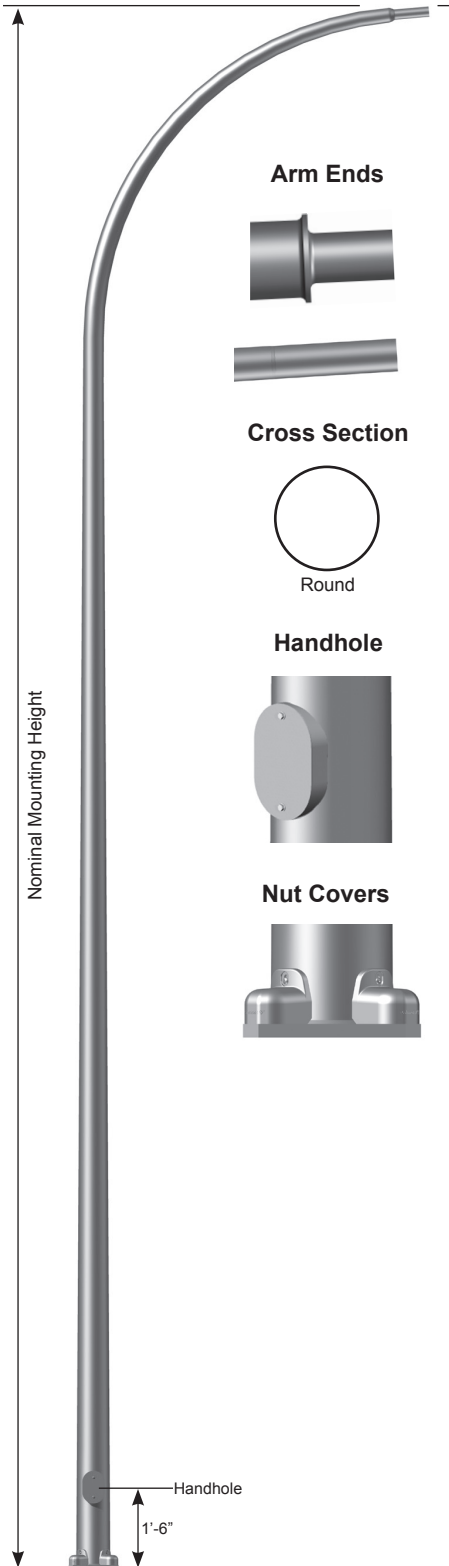


Job Name: _____	Client Name: _____
Job Location - City: _____ State: _____	Created By: _____ Date: _____
Product: _____ Quote: _____	Customer Approval: _____ Date: _____



SPECIFICATIONS

Pole Shaft - The pole shaft is a 1-piece assembly conforming to ASTM A595 Grade A or A572 Grade 55 with a constant linear taper of 0.14 in/ft.

Davit Arm - Davit arm shaft conforms to ASTM A595 Grade A with a constant linear taper of 0.14 in/ft. A single davit arm is either an integral part of the pole shaft or a separate section which slip fits the pole shaft. Double davit arms are a separate section which slip fits the pole shaft. Double luminaire arms are oriented 180° apart.

Handhole - A reinforced handhole with grounding provision is provided at 1'-6" from the base end of the pole assembly. The rim has a nominal measurement of 4" x 6.5". Each hand hole includes a cover and the cover attachment hardware. Handhole dimensions are nominal.

Nut Covers - Zinc die cast nut covers are provided with each pole assembly. A screw is provided to attach each nut cover to the pole wall. Additional base cover options are available upon request.

Anchor Bolts - Anchor bolts conform to ASTM F1554 Grade 55 and are provided with two hex nuts and two flat washers. Bolts have an "L" bend on one end and are galvanized a minimum of 12" on the threaded end.

Hardware - All structural fasteners are galvanized high strength carbon steel. All non-structural fasteners are galvanized or zinc-plated carbon steel or stainless steel.

Finish - Standard finishes are either Galvanized (GV) or Finish Painted (FP). Additional finish options like Finish Paint over Galvanizing (FPGV) or any of the V-PRO™ Finish Coating Systems are available upon request. See the product ordering code for color options.

Design Criteria - Please reference Design Criteria Specification for appropriate design conditions.

ARM DATA

Double Arm Arrangement



ROUND TAPERED STEEL

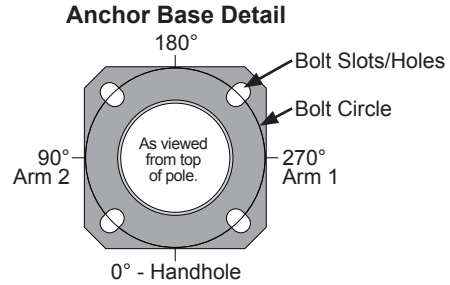
Smooth

DS90

Job Name: _____	Client Name: _____
Job Location - City: _____ State: _____	Created By: _____ Date: _____
Product: _____ Quote: _____	Customer Approval: _____ Date: _____

ANCHORAGE DATA

POLE BASE OD (IN)	BASE PLATE				ANCHOR BOLTS			
	BOLT CIRCLE		SQUARE (IN)	THK (IN)	DIA x LENGTH x HOOK (IN)	PROJECTION (IN)	± (IN)	
	DIA (IN)	± (IN)						
6.43	9.50	0.50	10.50	0.875	1.00 x 36.00 x 4.00	4.13	0.25	
7.13	10.00	0.50	10.88	0.875	1.00 x 36.00 x 4.00	4.13	0.25	
7.50	10.50	0.50	11.25	0.875	1.00 x 36.00 x 4.00	4.13	0.25	
7.82	11.00	0.50	11.50	0.875	1.00 x 36.00 x 4.00	4.13	0.25	
8.00	11.00	0.50	11.50	0.875	1.00 x 36.00 x 4.00	4.13	0.25	
9.00	12.50	0.50	12.38	1.000	1.00 x 36.00 x 4.00	4.25	0.25	
9.50	13.00	0.50	13.00	1.000	1.00 x 36.00 x 4.00	4.25	0.25	



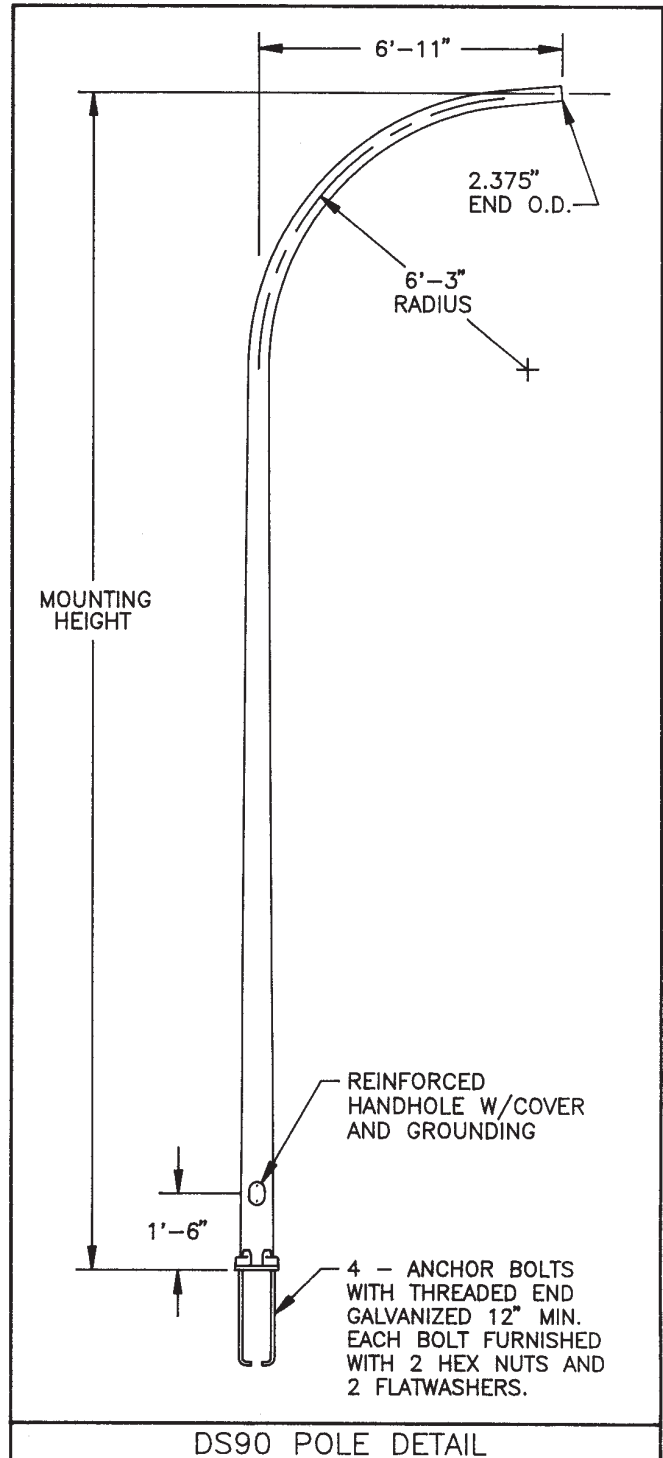
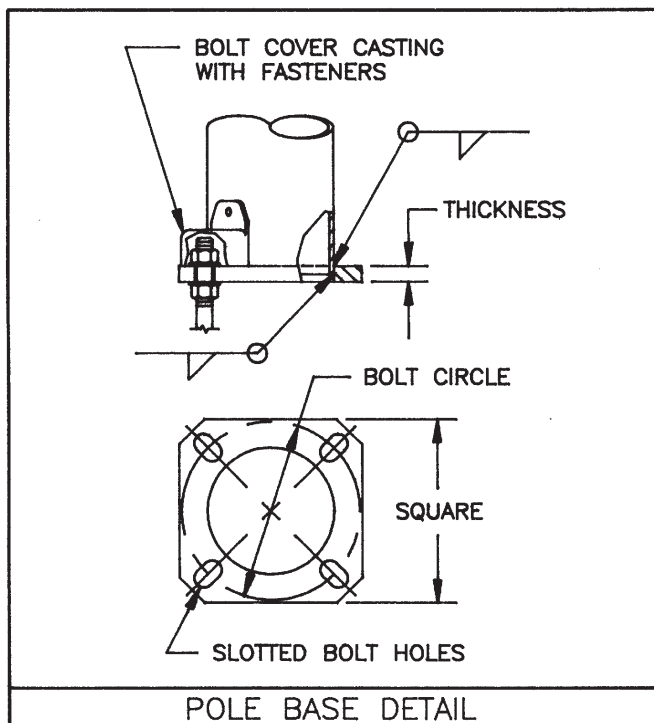
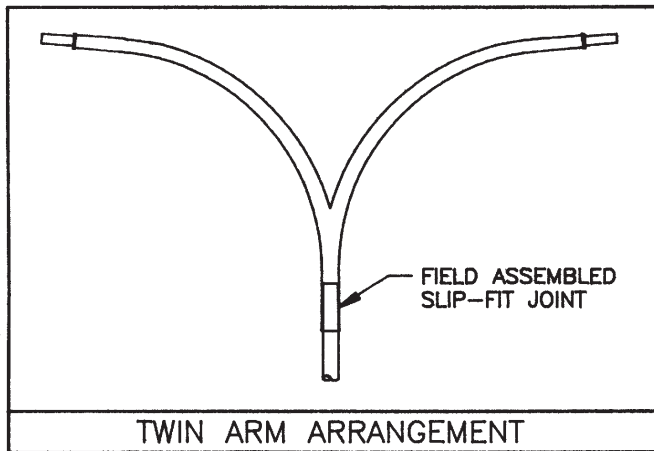
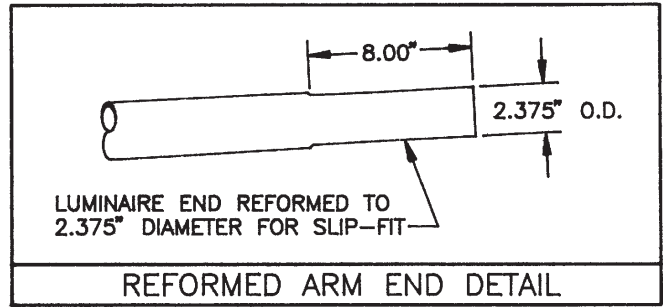
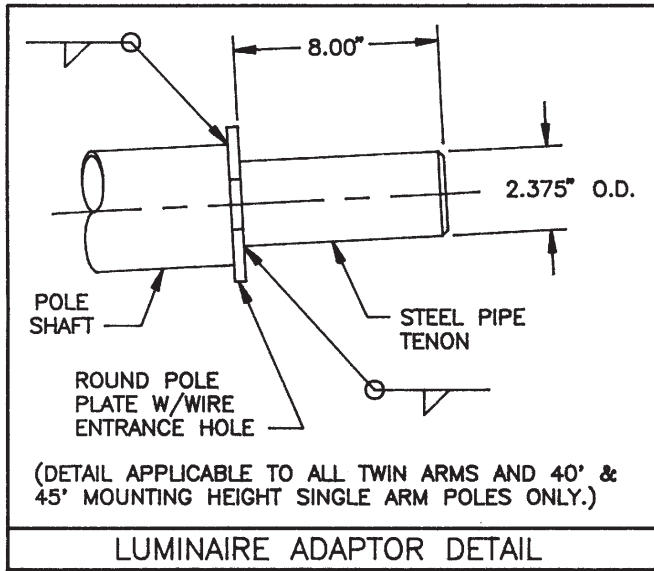
LOAD AND DIMENSIONAL DATA

NOMINAL MOUNTING HEIGHT	QUANTITY OF ARMS	ARM LENGTH (FT)	100 MPH w/1.3 GUST		POLE DIMENSIONS				DESIGNATION
			MAX LUMINAIRE EPA ¹ (SQFT)	MAX LUMINAIRE WEIGHT ¹ (LBS)	BASE OD (IN)	TOP OD (IN)	WALL THK (GA)	STRUCTURE WEIGHT ² (LBS)	
25'-0"	Single	6'-11"	2.0	75	6.43	2.40	11	195	643A28T
	Double	6'-11"	2.0	75	7.50	3.80	11	320	750A286
30'-0"	Single	6'-11"	2.0	75	7.13	2.40	11	235	713A33T
	Double	6'-11"	2.0	75	8.00	3.60	11	370	800A336
35'-0"	Single	6'-11"	2.0	75	7.82	2.40	11	290	782A389
	Double	6'-11"	2.0	75	9.00	3.90	11	450	900A386
40'-0"	Single	6'-11"	2.0	75	9.50	3.40	11	410	950A436
	Double	6'-11"	2.0	75	9.50	3.40	11	495	950A436

- EPA represents the Effective Projected Area of each luminaire. Designs are limited to one luminaire per arm. Variations from sizes above are available upon inquiry at the factory. Satisfactory performance of poles is dependent upon the pole being properly attached to a supporting foundation of adequate design.
- Structure Weight is a nominal value which includes the pole shaft, base plate and luminaire arm(s) only.

PRODUCT ORDERING CODES

MODEL	DESIGNATION	FIXTURE MOUNTING	FINISH SYSTEM	STANDARD COLOR OPTIONS	BASE COVER	ANCHOR BOLTS	SUPPLEMENTAL INFO
DS90	Select Correct Designation from the Load and Dimensional Data Chart.	6S = Single Arm 6D = Double Arm	GV = Galvanized FP = Finish Painted -----OPTIONAL----- FPGV = Finish Paint over Galvanizing VP30 = V-PRO™ 30 System VP32 = V-PRO™ 32 System VP53 = V-PRO™ 53 System VP54 = V-PRO™ 54 System VP57 = V-PRO™ 57 System VP100 = V-PRO™ 100 System VP105 = V-PRO™ 105 System	GV = Galvanized BK = Black DB = Dark Bronze MB = Medium Bronze WH = White LG = Light Gray CB = Bronze DG = Dark Green ST = Sandstone HG = Hunter Green SG = Slate Gray SL = Silver SC = Special Color (Specify)	NC = Nut Covers -----OPTIONAL----- FBC = Full Base Cover 2T = Square Dart Cover	AB = With Anchor Bolts LAB = Without Anchor Bolts	



SPC7317 03/16 valmontstructures.com carries the most current spec information and supersedes these guidelines.