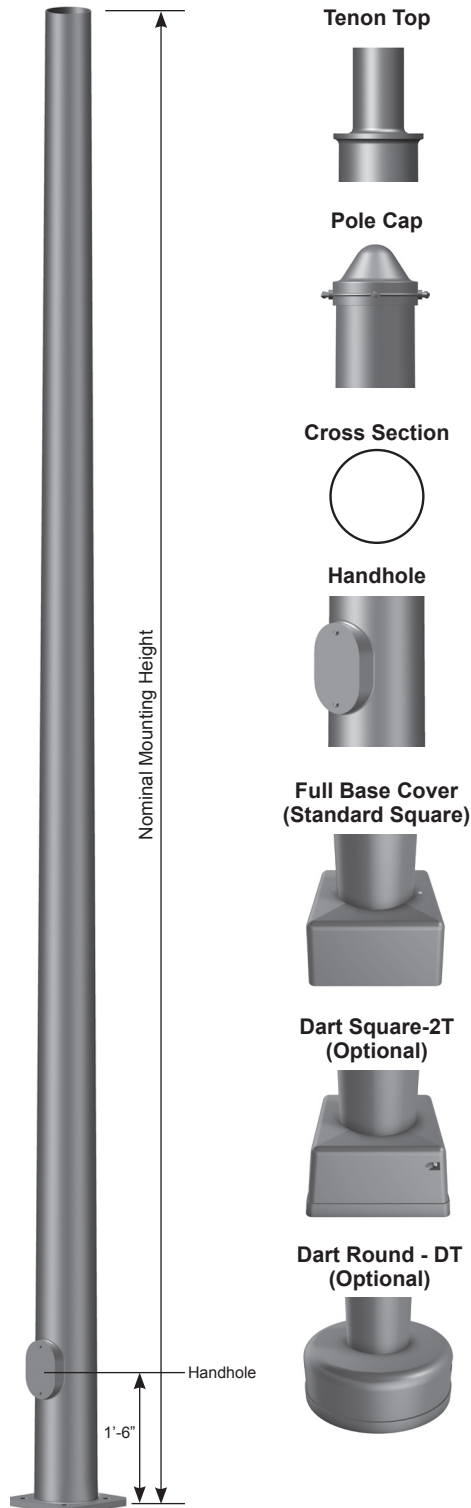


Job Name: _____	Client Name: _____
Job Location - City: _____ State: _____	Created By: _____ Date: _____
Product: _____ Quote: _____	Customer Approval: _____ Date: _____

SPECIFICATIONS



Pole Shaft - The pole shaft is a 1-piece assembly conforming to ASTM A595 Grade A or A572 Grade 55 with a constant linear taper of 0.14 in/ft.

Pole Top - Pole is provided with either a tenon top or drilled for a fixture mounting. A removable pole cap is provided for drilled poles. Consult the luminaire manufacturer for correct tenon size or drill pattern. Other pole top options include pole cap only (PC) or plain top (PL) which is typical when the pole top diameter matches the necessary slip fit dimensions.

Handhole - A reinforced handhole with grounding provision is provided at 1'-6" from the base end of the pole assembly. Each handhole includes a cover and the cover attachment hardware. Poles with a 5.90" base diameter are supplied with a 3" X 5" rectangular handhole. All other pole assemblies are provided with a 4" X 6.5" ovalized handhole. Handhole dimensions are nominal.

Base Cover - A two-piece full base cover fabricated from ABS plastic is provided with each pole assembly. Valmont reserves the right to provide a two-piece steel full base cover on some applications depending upon the finish requirement and/or pole base diameter. Nut covers can be substituted on most models. Additional base cover options, including the Dart Square (2T) cast aluminum cover and Dart Round (DT) cast aluminum cover, are available upon request.

Anchor Bolts - Anchor bolts conform to ASTM F1554 Grade 55 and are provided with two hex nuts and two flat washers. Bolts have an "L" bend on one end and are galvanized a minimum of 12" on the threaded end.

Hardware - All structural fasteners are galvanized high strength carbon steel. All non-structural fasteners are galvanized or zinc-plated carbon steel or stainless steel.

Finish - Standard finishes are either Galvanized (GV) or Finish Painted (FP). Additional finish options including Finish Paint over Galvanizing (FPGV) or any of the V-PRO™ Finish Coating Systems are available upon request. See the product ordering code for color options.

Design Criteria - Please reference Design Criteria Specification for appropriate design conditions.

ROUND TAPERED STEEL DS210

Light Duty



STRUCTURES

Job Name: _____	Client Name: _____
Job Location - City: _____ State: _____	Created By: _____ Date: _____
Product: _____ Quote: _____	Customer Approval: _____ Date: _____

DESIGNATION, LOAD AND DIMENSIONAL DATA

NOMINAL MOUNTING HEIGHT	DESIGN INFORMATION						POLE DIMENSIONS				DESIGNATION
	80 MPH w/1.3 GUST		90 MPH w/1.3 GUST		100 MPH w/1.3 GUST		BASE OD (IN)	TOP OD (IN)	WALL THK (GA)	STRUCTURE WEIGHT ² (LBS)	
	MAX EPA ¹ (SQFT)	MAX WEIGHT ¹ (LBS)	MAX EPA ¹ (SQFT)	MAX WEIGHT ¹ (LBS)	MAX EPA ¹ (SQFT)	MAX WEIGHT ¹ (LBS)					
20'-0"	19.3	482	15.1	377	12.2	305	5.90	3.10	11	140	590A200
	24.2	605	19.3	482	15.6	390	6.50	3.70	11	160	650A200
25'-0"	12.5	312	9.9	247	8.0	200	5.90	2.40	11	155	590A250
	20.3	507	16.2	405	13.1	327	7.00	3.50	11	200	700A250
	30.5	760	24.0	625	19.8	495	7.00	3.50	7	280	700E250
30'-0"	11.7	292	9.3	232	7.5	187	6.60	2.40	11	200	660A300
	18.9	473	14.9	373	12.0	300	8.00	3.80	11	265	800A300
	33.5	838	27.0	675	22.0	550	8.00	3.80	7	380	800E300
35'-0"	11.2	280	8.9	222	7.1	177	7.30	2.40	11	250	730A350
	18.9	472	15.1	377	12.2	305	8.50	3.60	11	315	850A350
	23.2	580	18.2	455	14.5	363	9.50	4.60	11	370	950A350
39'-0"	10.7	267	8.5	212	6.6	165	7.82	2.40	11	285	782A389
	17.2	430	13.5	338	10.8	270	9.00	3.58	11	355	900A389
	28.5	715	23.0	575	19.0	475	9.00	3.58	7	515	900E389
45'-0"	17.4	435	13.5	338	10.6	265	10.00	3.70	11	450	T00A450
	28.5	715	23.0	575	19.0	475	10.00	3.70	7	650	T00E450
50'-0"	13.2	330	10.6	265	8.3	208	10.00	3.00	11	475	T00A500
	20.5	512	16.5	412	13.6	340	10.00	3.00	7	680	T00E500

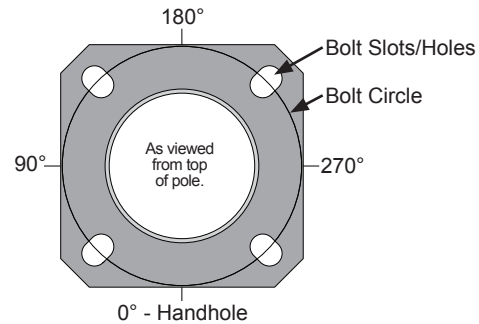
DS210 Heavy Duty poles available at valmontstructures.com

- Maximum EPA (Effective Projected Area) and weight values are based on top mounted luminaires and/or brackets having a centroid 2'-6" above the Nominal Mounting Height. Variations from sizes above are available upon inquiry at the factory. Satisfactory performance of poles is dependent upon the pole being properly attached to a supporting foundation of adequate design.
- Structure weight is a nominal value which includes the pole shaft and base plate only.

ANCHORAGE DATA

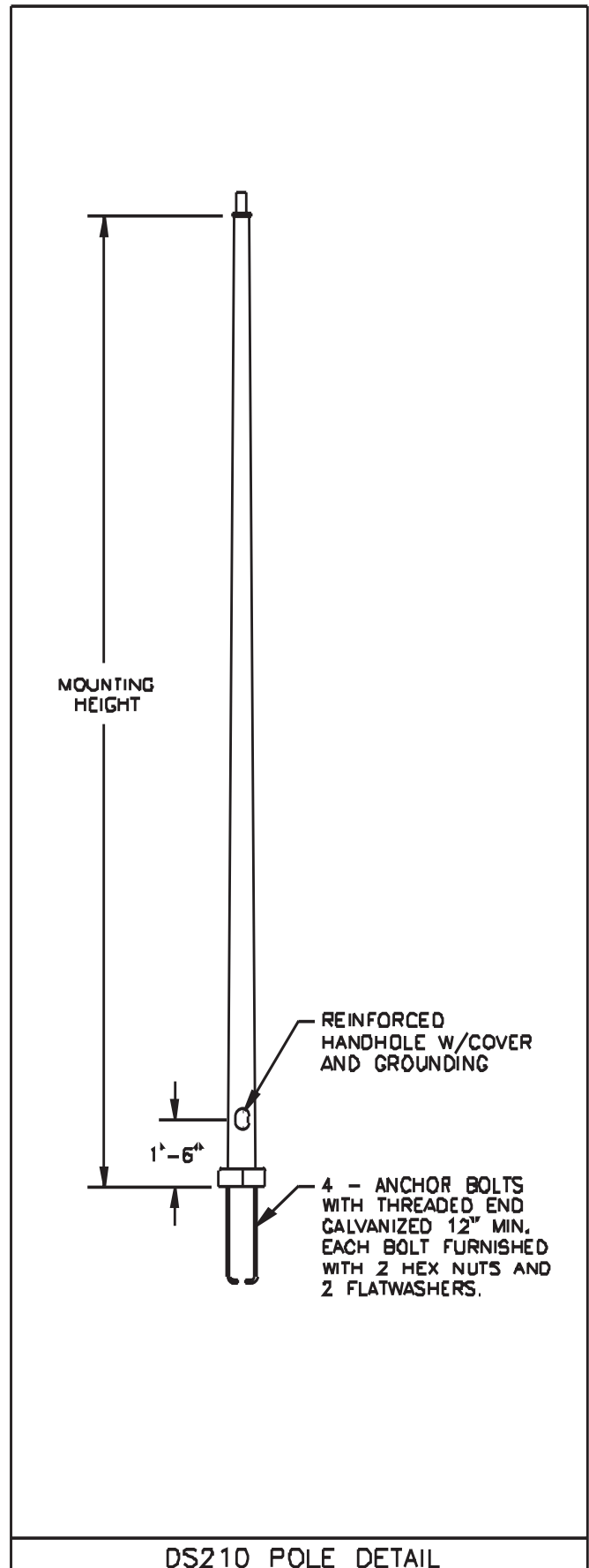
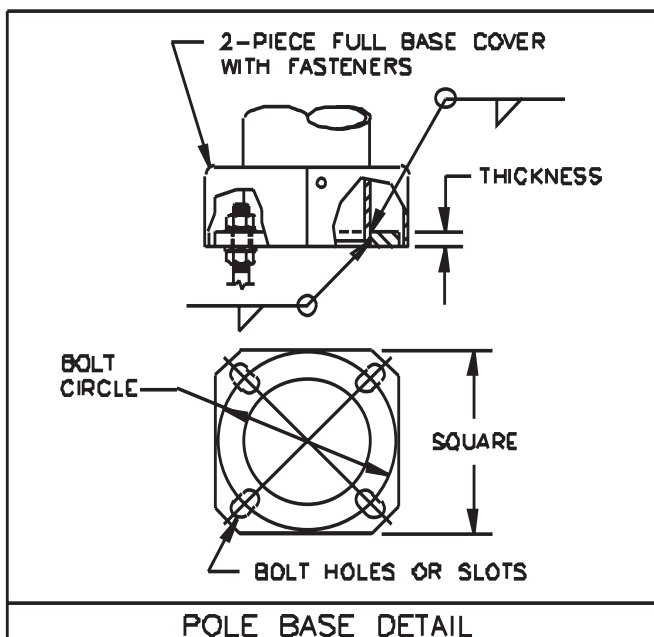
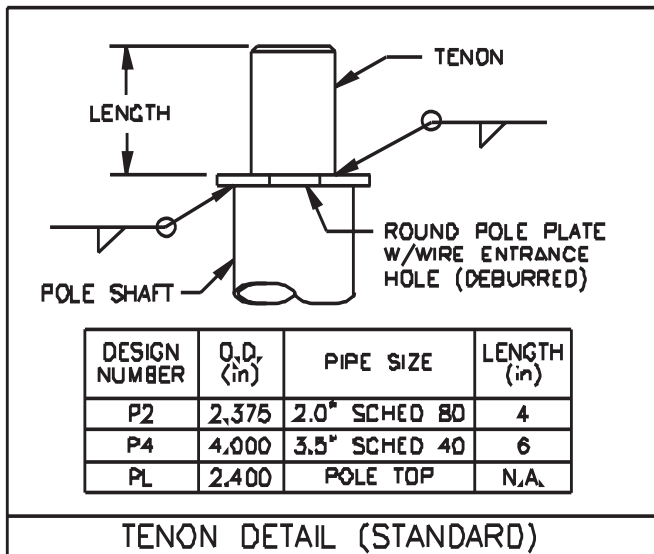
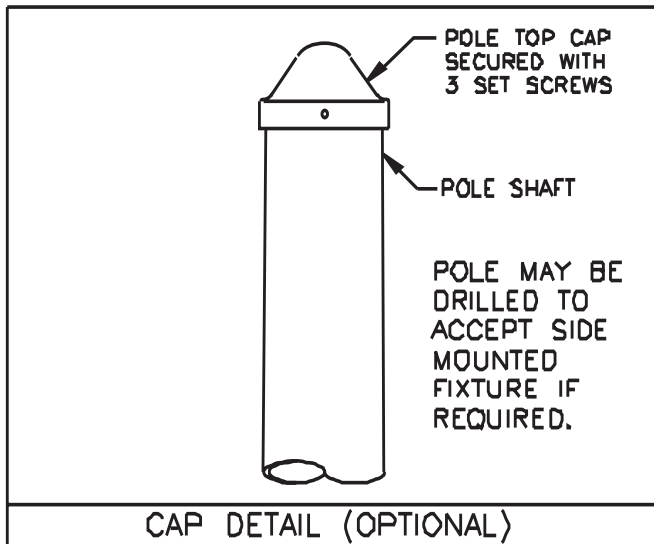
POLE		BASE PLATE			ANCHOR BOLTS			
BASE OD (IN)	WALL THK (GA)	BOLT CIRCLE		SQUARE (IN)	THK (IN)	DIA x LENGTH x HOOK (IN)	PROJECTION (IN)	± (IN)
		DIA (IN)	± (IN)					
5.90	11	9.00	0.50	10.00	0.875	1.00 x 36.00 x 4.00	4.13	0.25
6.50	11	9.50	0.50	10.50	0.875	1.00 x 36.00 x 4.00	4.13	0.25
6.60	11	9.50	0.50	10.50	0.875	1.00 x 36.00 x 4.00	4.13	0.25
7.00	11	10.00	0.50	10.88	0.875	1.00 x 36.00 x 4.00	4.13	0.25
7.00	7	10.00	0.50	10.88	1.000	1.00 x 36.00 x 4.00	4.25	0.25
7.30	11	10.50	0.50	11.25	0.875	1.00 x 36.00 x 4.00	4.13	0.25
7.82	11	11.00	0.50	11.50	0.875	1.00 x 36.00 x 4.00	4.13	0.25
8.00	11	11.00	0.50	11.50	0.875	1.00 x 36.00 x 4.00	4.13	0.25
8.00	7	11.00	0.50	11.50	1.250	1.25 x 42.00 x 6.00	5.00	0.25
8.50	11	11.50	0.50	12.00	1.000	1.00 x 36.00 x 4.00	4.25	0.25
9.00	11	12.50	0.50	12.38	1.000	1.00 x 36.00 x 4.00	4.25	0.25
9.00	7	12.50	0.50	12.38	1.250	1.25 x 42.00 x 6.00	5.00	0.25
9.50	11	13.00	0.50	13.00	1.000	1.00 x 36.00 x 4.00	4.25	0.25
10.00	11	13.50	0.50	14.00	1.000	1.00 x 36.00 x 4.00	4.25	0.25
10.00	7	13.50	0.50	14.00	1.250	1.25 x 42.00 x 6.00	5.00	0.25

Anchor Base Detail



PRODUCT ORDERING CODE

MODEL	DESIGNATION	FIXTURE MOUNTING	FINISH SYSTEM	STANDARD COLOR OPTIONS	BASE COVER	ANCHOR BOLTS	SUPPLEMENTAL INFO
DS210	Select Correct Designation from the Load and Dimensional Data Chart.	Drill Mounting (See Orientation) D1 = (1) Drilling @ 270° D2 = (2) Drillings @ 90° & 270° D3 = (3) Drillings @ 60°, 180°, & 300° D4 = (4) Drillings @ 0°, 90°, 180°, & 270° D5 = (2) Drillings @ 180° & 270° D6 = (3) Drillings @ 90°, 180°, & 270° Tenon Mounting P2 = 2.38" OD x 4" tenon P4 = 4.00" OD x 6" tenon P5 = 2.88" OD x 4" tenon P6 = 2.88" OD x 5" tenon P7 = 2.38" OD x 5" tenon P9 = Special Size (Specify) Other Options PC = Pole Cap PL = Plain Top (No Cap)	GV = Galvanized FP = Finish Painted -----OPTIONAL----- FPGV = Finish Paint over Galvanizing VP30 = V-PRO™ 30 System VP32 = V-PRO™ 32 System VP53 = V-PRO™ 53 System VP54 = V-PRO™ 54 System VP57 = V-PRO™ 57 System VP100 = V-PRO™ 100 System VP105 = V-PRO™ 105 System	GV = Galvanized BK = Black DB = Dark Bronze MB = Medium Bronze WH = White LG = Light Gray CB = Bronze DG = Dark Green ST = Sandstone HG = Hunter Green SG = Slate Gray SL = Silver SC = Special Color (Specify)	FBC = Full Base Cover -----OPTIONAL----- NC = Nut Covers 2T = Square Dart Cover DT = Dart Round Cover	AB = With Anchor Bolts LAB = Without Anchor Bolts	



SPC7204 02/17 valmontstructures.com carries the most current spec information and supersedes these guidelines.