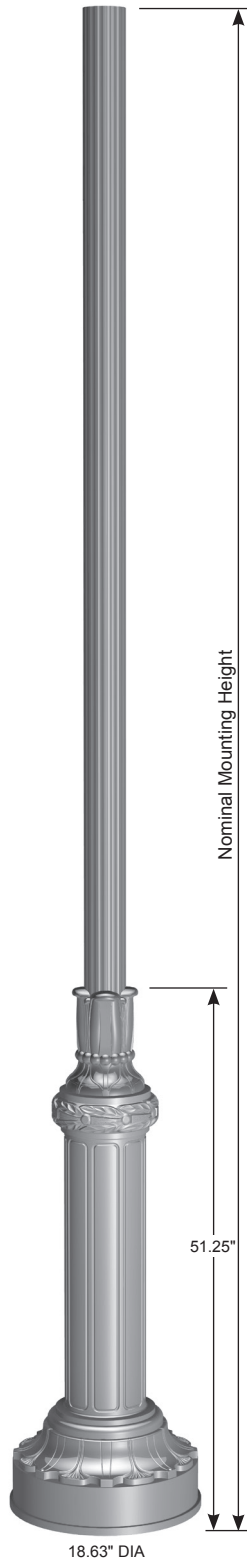
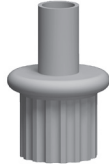


Job Name: _____	Client Name: _____
Job Location - City: _____ State: _____	Created By: _____ Date: _____
Product: 4Y01ASE -- Quote: _____	Customer Approval: _____ Date: _____

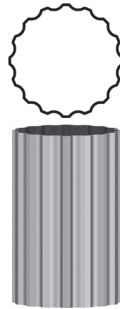
SPECIFICATIONS



Tenon Top

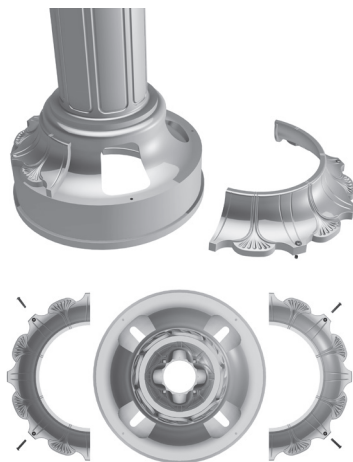


Cross Section



16 Flat Flute

Access Doors



Post - The post shaft is either spun or extruded from 6000 series alloy aluminum.

Post Top - A post top plate and tenon can be provided for top mount luminaire and/or bracket. A removable finial is available for posts receiving drilling patterns for side-mount luminaire arm assemblies.

Structural Base - The structural base is cast from 356 alloy aluminum and provided with two circumferential access doors near the bottom of the base. A grounding provision is provided. The post shaft is inserted and welded into the structural base casting. The completed assembly is heat-treated to a T6 temper after the structural welding is completed.

Anchor Bolts - Anchor bolts conform to ASTM F1554 Grade 55 and are provided with two hex nuts and two flat washers. Bolts have an "L" bend on one end and are galvanized a minimum of 12" on the threaded end.

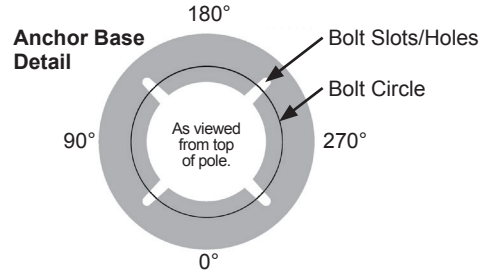
Finish - The standard finish for the post assembly and components is polyester powder applied coating in accordance with Valmont's Specifications. Additional finish options available upon request.

BROOKHAVEN Fluted Tapered/Non-Tapered Aluminum Post

Job Name: _____	Client Name: _____
Job Location - City: _____ State: _____	Created By: _____ Date: _____
Product: 4Y01ASE -- Quote: _____	Customer Approval: _____ Date: _____

ANCHORAGE DATA

STRUCTURAL BASE				ANCHOR BOLTS		
BOLT CIRCLE		DIAMETER (IN)	THK (IN)	DIA x LENGTH x HOOK (IN)	PROJECTION (IN)	± (IN)
DIA (IN)	± (IN)					
13	1	18.63	0.75	0.75 x 17.00 x 3.00	3.63	0.25



LOAD AND DIMENSIONAL DATA

NOMINAL MOUNTING HEIGHT	DESIGN INFORMATION						POST DIMENSIONS				MODEL NUMBER
	80 MPH w/1.3 GUST ¹		90 MPH w/1.3 GUST ¹		100 MPH w/1.3 GUST ¹		BASE OD (IN)	TOP OD (IN)	WALL THK (IN)	STRUCTURE WEIGHT ³ (LBS)	
	MAX LUMINAIRE EPA ² (SQFT)	MAX LUMINAIRE WEIGHT ² (LBS)	MAX LUMINAIRE EPA ² (SQFT)	MAX LUMINAIRE WEIGHT ² (LBS)	MAX LUMINAIRE EPA ² (SQFT)	MAX LUMINAIRE WEIGHT ² (LBS)					
Fluted Round Non-Tapered											
8'-0"	14.0	300	10.9	300	8.7	300	4.00	4.00	0.125	99	080040404UB
	22.9	300	17.9	300	14.3	300	5.00	5.00	0.125	101	080050504UB
10'-0"	10.4	300	7.9	300	6.2	300	4.00	4.00	0.125	102	100040404UB
	17.4	300	13.4	300	10.6	300	5.00	5.00	0.125	105	100050504UB
12'-0"	7.7	300	5.7	300	4.3	300	4.00	4.00	0.125	106	120040404UB
	13.4	300	10.2	300	7.8	300	5.00	5.00	0.125	110	120050504UB
14'-0"	10.1	300	7.4	300	5.5	300	5.00	5.00	0.125	114	140050504UB
16'-0"	7.4	300	5.2	300	3.7	300	5.00	5.00	0.125	119	160050504UB
	12.5	300	9.3	300	6.9	300	5.00	5.00	0.188	132	160050506UB
18'-0"	5.3	300	3.4	300	2.1	300	5.00	5.00	0.125	123	180050504UB
Fluted Round Tapered											
8'-0"	22.9	300	17.9	300	14.3	300	5.00	4.36	0.125	100	080044504VB
10'-0"	17.4	300	13.5	300	10.7	300	5.00	4.08	0.125	104	100041504VB

- EPA values are calculated using fastest mile winds.
- Maximum EPA (Effective Projected Area) and weight values are based on top mounted luminaires and/or brackets having a centroid 2'-6" above and 1'-6" eccentric to the post top at Nominal Mounting Height. Variations from sizes above are available upon inquiry at the factory. Satisfactory performance of posts is dependent upon the post being properly attached to a supporting foundation of adequate design.
- Structure Weight is a nominal value which includes the post shaft and structural base.

PRODUCT ORDERING CODES

DESIGN SERIES	CROSS SECTION	MODEL NUMBER	FIXTURE MOUNTING	COLOR	OPTIONS																					
4Y01AS	E																									
	16 Flat Flute	<table border="1" style="width:100%; border-collapse: collapse;"> <tr> <th>Fluted Round Non-Tapered</th> <th>Fluted Round Tapered</th> </tr> <tr> <td>080040404UB</td> <td>080044504VB</td> </tr> <tr> <td>080050504UB</td> <td>100041504VB</td> </tr> <tr> <td>100040404UB</td> <td></td> </tr> <tr> <td>100050504UB</td> <td></td> </tr> <tr> <td>120040404UB</td> <td></td> </tr> <tr> <td>120050504UB</td> <td></td> </tr> <tr> <td>140050504UB</td> <td></td> </tr> <tr> <td>160050504UB</td> <td></td> </tr> <tr> <td>160050506UB</td> <td></td> </tr> <tr> <td>180050504UB</td> <td></td> </tr> </table>	Fluted Round Non-Tapered	Fluted Round Tapered	080040404UB	080044504VB	080050504UB	100041504VB	100040404UB		100050504UB		120040404UB		120050504UB		140050504UB		160050504UB		160050506UB		180050504UB		Drill Mounting D1 = 1 Luminaire D2 = 2 @ 180° D3 = 3 @ 120° D4 = 4 @ 90° D5 = 2 @ 90° D6 = 3 @ 90° Tenon Mounting P2 = 2.38" OD x 4.00" PD = 3.00" OD x 3.00" -- = Plain Top P9 = Other Tenon (Contact Factory)	DWH = White DSS = Sandstone HTG = Hunter Green DNA = Natural Aluminum DCG = Charcoal Gray DMB = Medium Bronze DNB = New Dark Bronze DDB = Dark Bronze DBL = Black DSB = Steel Blue DTG = Dark Green DBR = Red SC = Special Color (Contact Factory)
Fluted Round Non-Tapered	Fluted Round Tapered																									
080040404UB	080044504VB																									
080050504UB	100041504VB																									
100040404UB																										
100050504UB																										
120040404UB																										
120050504UB																										
140050504UB																										
160050504UB																										
160050506UB																										
180050504UB																										

SPC7768 04/17 valmontstructures.com carries the most current spec information and supersedes these guidelines.