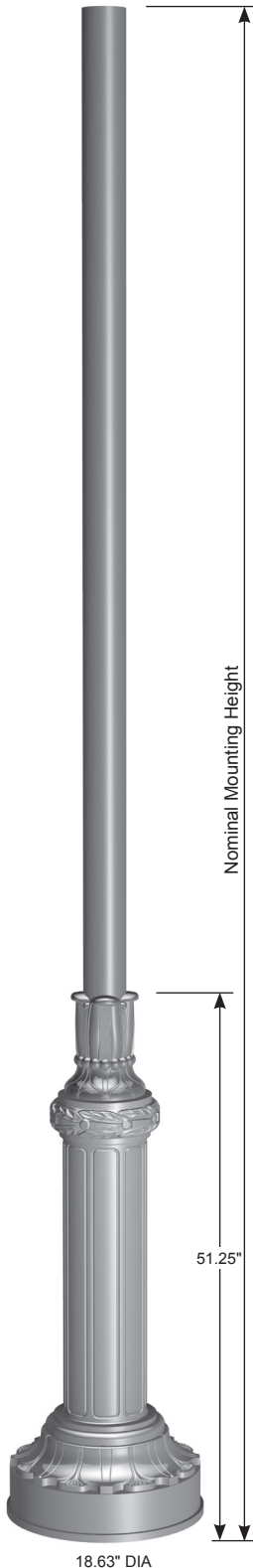


Job Name: _____	Client Name: _____
Job Location - City: _____ State: _____	Created By: _____ Date: _____
Product: 4Y01ASR -- Quote: _____	Customer Approval: _____ Date: _____



Tenon Top

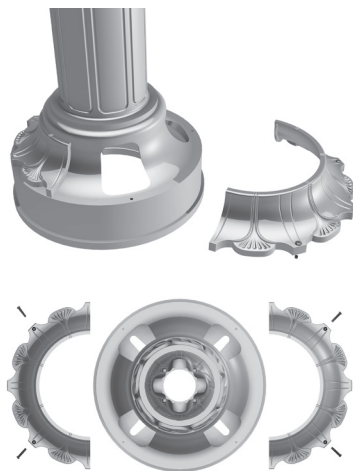


Cross Section



Round

Access Doors



SPECIFICATIONS

Post - The post shaft is either spun or extruded from 6000 series alloy aluminum.

Post Top - A post top plate and tenon can be provided for top mount luminaire and/or bracket. A removable finial is available for posts receiving drilling patterns for side-mount luminaire arm assemblies.

Structural Base - The structural base is cast from 356 alloy aluminum and provided with two circumferential access doors near the bottom of the base. A grounding provision is provided. The post shaft is inserted and welded into the structural base casting. The completed assembly is heat-treated to a T6 temper after the structural welding is completed.

Anchor Bolts - Anchor bolts conform to ASTM F1554 Grade 55 and are provided with two hex nuts and two flat washers. Bolts have an "L" bend on one end and are galvanized a minimum of 12" on the threaded end.

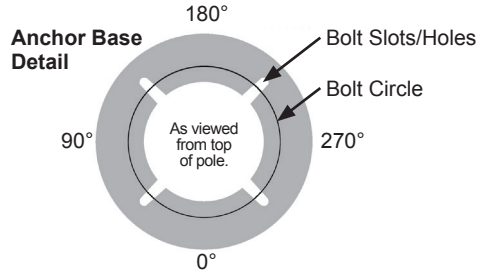
Finish - The standard finish for the post assembly and components is polyester powder applied coating in accordance with Valmont's Specifications. Additional finish options available upon request.

BROOKHAVEN Round Tapered/Non-Tapered Aluminum Post

Job Name: _____	Client Name: _____
Job Location - City: _____ State: _____	Created By: _____ Date: _____
Product: 4Y01ASR -- Quote: _____	Customer Approval: _____ Date: _____

ANCHORAGE DATA

STRUCTURAL BASE				ANCHOR BOLTS		
BOLT CIRCLE		DIAMETER (IN)	THK (IN)	DIA x LENGTH x HOOK (IN)	PROJECTION (IN)	± (IN)
DIA (IN)	± (IN)					
13	1	18.63	0.75	0.75 x 17.00 x 3.00	3.63	0.25



LOAD AND DIMENSIONAL DATA

NOMINAL MOUNTING HEIGHT	DESIGN INFORMATION						POST DIMENSIONS				MODEL NUMBER
	80 MPH w/1.3 GUST ¹		90 MPH w/1.3 GUST ¹		100 MPH w/1.3 GUST ¹		BASE OD (IN)	TOP OD (IN)	WALL THK (IN)	STRUCTURE WEIGHT ³ (LBS)	
	MAX LUMINAIRE EPA ² (SQFT)	MAX LUMINAIRE WEIGHT ² (LBS)	MAX LUMINAIRE EPA ² (SQFT)	MAX LUMINAIRE WEIGHT ² (LBS)	MAX LUMINAIRE EPA ² (SQFT)	MAX LUMINAIRE WEIGHT ² (LBS)					
Round Non-Tapered											
8'-0"	14.2	300	11.1	300	8.9	300	4.00	4.00	0.125	99	080040404SB
	23.1	300	18.2	300	14.7	300	5.00	5.00	0.125	101	080050504SB
10'-0"	10.7	300	8.2	300	6.5	300	4.00	4.00	0.125	102	100040404SB
	17.8	300	14.0	300	11.3	300	5.00	5.00	0.125	105	100050504SB
12'-0"	8.1	300	6.2	300	4.8	300	4.00	4.00	0.125	106	120040404SB
	14.0	300	11.0	300	8.8	300	5.00	5.00	0.125	110	120050504SB
14'-0"	10.8	300	8.4	300	6.7	300	5.00	5.00	0.125	114	140050504SB
16'-0"	8.3	300	6.4	300	5.1	300	5.00	5.00	0.125	119	160050504SB
18'-0"	6.3	300	4.8	300	3.8	300	5.00	5.00	0.125	123	180050504SB
Round Tapered											
8'-0"	23.0	300	18.1	300	14.6	300	5.00	4.00	0.125	100	080040504TB
10'-0"	17.8	300	13.9	300	11.1	300	5.00	4.00	0.125	103	100040504TB
12'-0"	14.0	300	10.8	300	8.7	300	5.00	4.00	0.125	108	120040504TB
14'-0"	10.9	300	8.3	300	6.6	300	5.00	4.00	0.125	112	140040504TB
16'-0"	8.4	300	6.3	300	4.9	300	5.00	4.00	0.125	116	160040504TB
	13.5	300	10.3	300	8.2	300	5.00	4.00	0.188	128	160040506TB
18'-0"	6.4	300	4.7	300	3.6	300	5.00	4.00	0.125	120	180040504TB

- EPA values are calculated using fastest mile winds.
- Maximum EPA (Effective Projected Area) and weight values are based on top mounted luminaires and/or brackets having a centroid 2'-6" above and 1'-6" eccentric to the post top at Nominal Mounting Height. Variations from sizes above are available upon inquiry at the factory. Satisfactory performance of posts is dependent upon the post being properly attached to a supporting foundation of adequate design.
- Structure Weight is a nominal value which includes the post shaft and structural base.

PRODUCT ORDERING CODES

DESIGN SERIES	CROSS SECTION	MODEL NUMBER	FIXTURE MOUNTING	COLOR	OPTIONS																				
4Y01AS	R																								
	Round	<table border="1" style="width:100%; border-collapse: collapse;"> <tr> <td>Round Non-Tapered</td> <td>Round Tapered</td> </tr> <tr> <td>080040404SB</td> <td>080040504TB</td> </tr> <tr> <td>080050504SB</td> <td>100040504TB</td> </tr> <tr> <td>100040404SB</td> <td>120040504TB</td> </tr> <tr> <td>100050504SB</td> <td>140040504TB</td> </tr> <tr> <td>120040404SB</td> <td>160040504TB</td> </tr> <tr> <td>120050504SB</td> <td>160040506TB</td> </tr> <tr> <td>140050504SB</td> <td>180040504TB</td> </tr> <tr> <td>160050504SB</td> <td></td> </tr> <tr> <td>180050504SB</td> <td></td> </tr> </table>	Round Non-Tapered	Round Tapered	080040404SB	080040504TB	080050504SB	100040504TB	100040404SB	120040504TB	100050504SB	140040504TB	120040404SB	160040504TB	120050504SB	160040506TB	140050504SB	180040504TB	160050504SB		180050504SB		Drill Mounting D1 = 1 Luminaire D2 = 2 @ 180° D3 = 3 @ 120° D4 = 4 @ 90° D5 = 2 @ 90° D6 = 3 @ 90° Tenon Mounting P2 = 2.38" OD x 4.00" PD = 3.00" OD x 3.00" -- = Plain Top P9 = Other Tenon (Contact Factory)	DWH = White DSS = Sandstone HTG = Hunter Green DNA = Natural Aluminum DCG = Charcoal Gray DMB = Medium Bronze DNB = New Dark Bronze DDB = Dark Bronze DBL = Black DSB = Steel Blue DTG = Dark Green DBR = Red SC = Special Color (Contact Factory)	See Decorative Accessories or Decorative Arms - Aluminum at valmontstructures.com (Please Specify)
Round Non-Tapered	Round Tapered																								
080040404SB	080040504TB																								
080050504SB	100040504TB																								
100040404SB	120040504TB																								
100050504SB	140040504TB																								
120040404SB	160040504TB																								
120050504SB	160040506TB																								
140050504SB	180040504TB																								
160050504SB																									
180050504SB																									

SPC7767 04/17 valmontstructures.com carries the most current spec information and supersedes these guidelines.