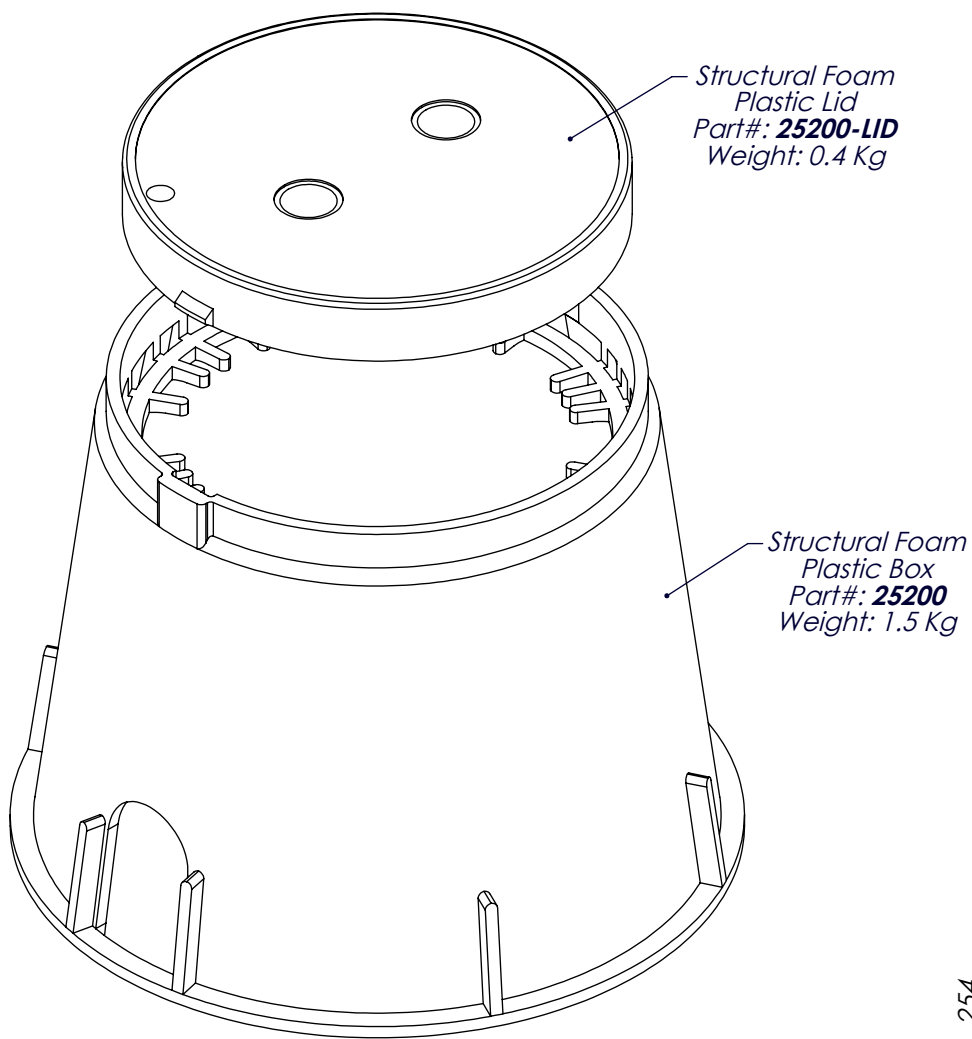
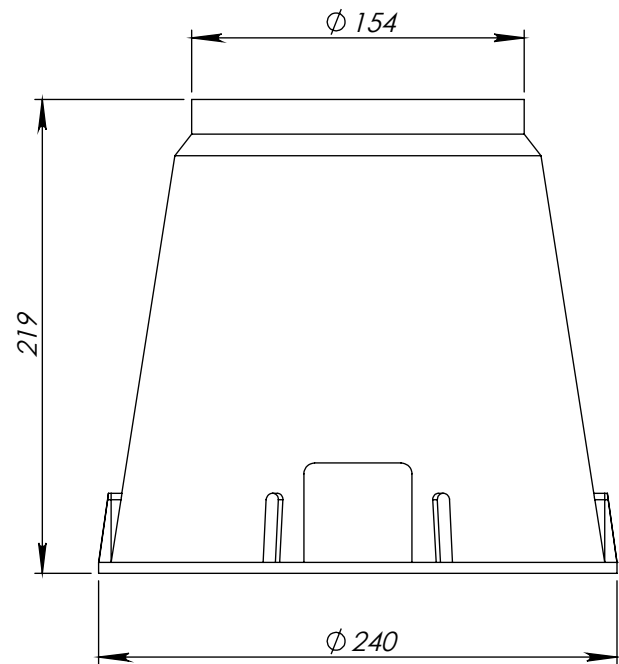
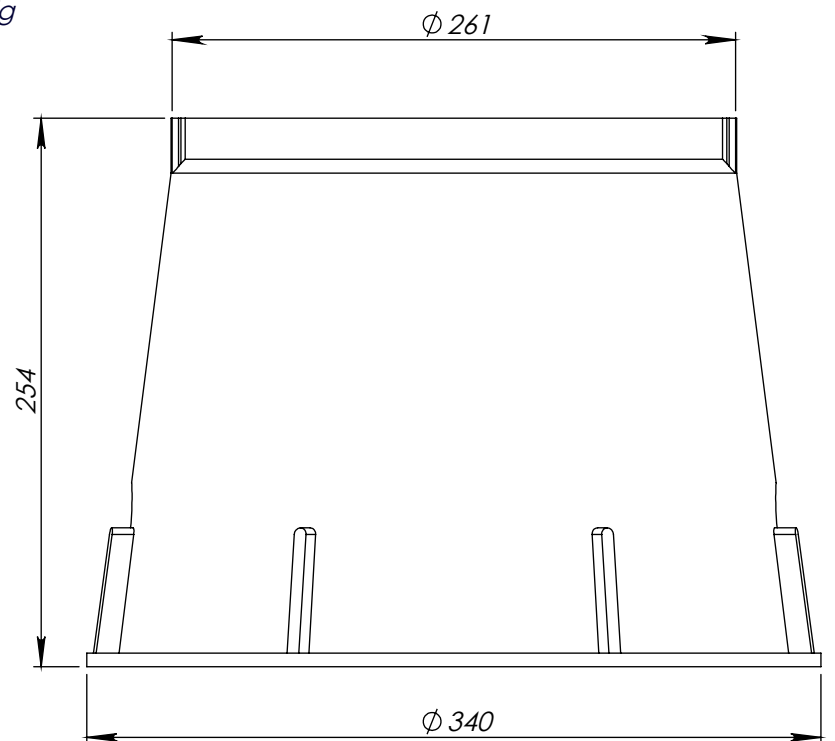


SMALL SPLICE PITS
25210



LARGE SPLICE PITS
25200



DESIGNED: ZOLTAN BANYI
DRAWN: ZOLTAN BANYI
CHECKED: IOAN GIOSAN
APPROVED: TED BROCKMAN

PROFESSIONAL ENGINEER SEAL

valmont 
WEST COAST ENGINEERING

7984 River Road, Delta, B.C. Canada V4G 1E3
Ph. (604)946-1256 Fx. (604)946-1203
www.valmontwce.com

PROJECT:	SPLICE PITS SMALL and LARGE 25210 and 25200		SCALE: NTS
			QTY: -
			SHEET 1 OF 1
DWG. #:	T01-JB-25210-25200-Splice Pits		REV. 0