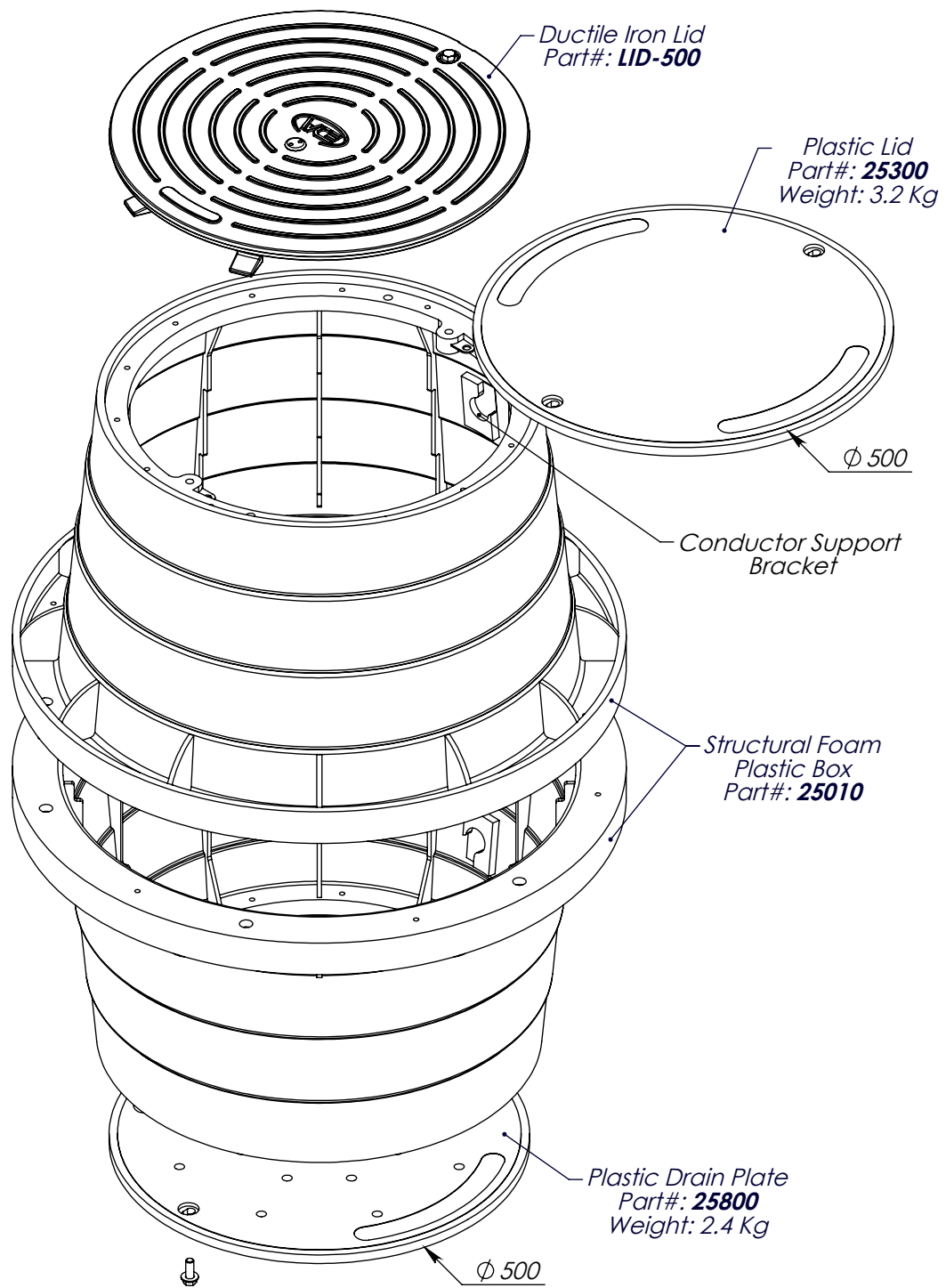


LARGE ROUND JUNCTION BOX
STANDARD CONFIGURATION
 # 25010
 H20 Rated



LARGE ROUND JUNCTION BOX
DUAL - Type 10 CONFIGURATION

DESIGNED:	ZOLTAN BANYI	PROFESSIONAL ENGINEER SEAL
DRAWN:	ZOLTAN BANYI	
CHECKED:	JOAN GIOSAN	
APPROVED:	TED BROCKMAN	
DATE:	19/09/2014	

valmont 
 WEST COAST ENGINEERING
 7984 River Road, Delta, B.C. Canada V4G 1E3
 Ph. (604)946-1256 Fx. (604)946-1203
 www.valmontwce.com

PROJECT:	JUNCTION BOX LARGE - ROUND 25010	SCALE: NTS
QTY:	-	SHEET 1 OF 1
DWG. #:	T01-JB-25010	REV. 0